

DWG. NO. SD-35301-001

SIMILAR ITEM

PROJECT NO.

5

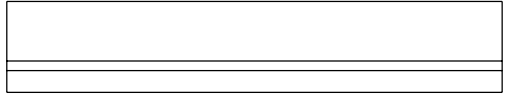
4

3

2

1

STICKER OR VINYL  
(MOLEX LOGO SIDE)



← STOPPER

VIEW V

NOTES

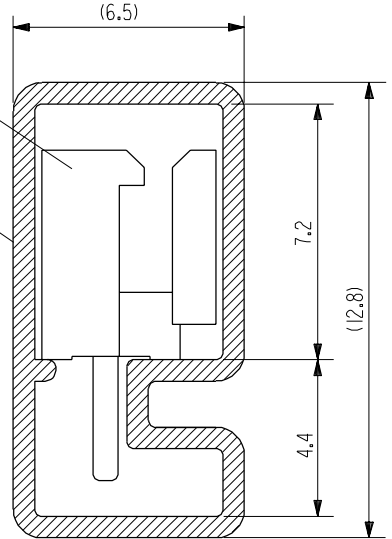
1. PACKING TYPE : STOPPER & STICKER LOCKING TYPE(GENERAL)  
: VINYL & STOPPER LOCKING TYPE(FOR S/S)
2. THICKNESS : 0.6 †
3. LENGTH : 550 mm

LEGEND

35301- \*\* 5 \*  
 COLOR : 0 --- NATURAL  
 1 --- BLACK  
 2 --- RED  
 3 --- YELLOW  
 4 --- BLUE  
 CKT ( 02 , 03 , 04 ....)

5267-NAX SERIES

35900-0014



15	35301-155*	35301155*	10
14	-145*	35301145*	10
13	-135*	35301135*	15
12	-125*	35301125*	15
11	-115*	35301115*	15
10	-105*	35301105*	15
9	-095*	35301095*	20
8	-085*	35301085*	20
7	-075*	35301075*	25
6	-065*	35301065*	30
5	-055*	35301055*	35
4	-045*	35301045*	40
3	-035*	35301035*	50
2	35301-025*	35301025*	70
CKTS	ENG NO.	MAT'L NO.	Q'TY/TUBE

NEW RELEASED EC NO. KOR2001-0048 DRWN: K.S.KIM (011130) CHK: J.K.OH APPR: C.W.LEE	QUALITY SYMBOLS MAJOR = CRITICAL =	GENERAL TOLERANCES: (UNLESS SPECIFIED)		SCALE NONE	DESIGN UNITS <input checked="" type="checkbox"/> mm <input type="checkbox"/> INCH	THIRD ANGLE PROJECTION	DIMENSIONS: <input type="checkbox"/> mm <input type="checkbox"/> INCH <input checked="" type="checkbox"/> mm ONLY		SHT	REV	
		4 PLACES	±0.	±.	DRAWN BY & DATE K.S.KIM (011130)	TITLE: TUBE PACKAGED FOR 5267-NAX SERIES					
DESCRIPTION REV	A	3 PLACES	±0.	±.	CHECKED BY & DATE J.K.OH	MOLEX INCORPORATED KOREA					
		2 PLACES	±0.	±.	APPROVED BY & DATE C.W.LEE						
		1 PLACE	±0.4	±.	CAD FILENAME SD35301A.dgn	MATERIAL NO. SEE TABLE	DRAWING NO. SD-35301-001	SHEET NO. 1 OF 1		SIZE A	
DRAFT WHERE APPLICABLE MUST REMAIN WITHIN DIMENSIONS				THIS DRAWING CONTAINS INFORMATION THAT IS PROPRIETARY TO MOLEX INCORPORATED AND SHOULD NOT BE USED WITHOUT WRITTEN PERMISSION.							

5

4

3

2

MX-A4

DWG. NO.

SIMILAR ITEM

PROJECT NO.

B

DO NOT SCALE DRAWING  
DIMENSION IN METRIC

8 7 6 5 4 3 2 1

F

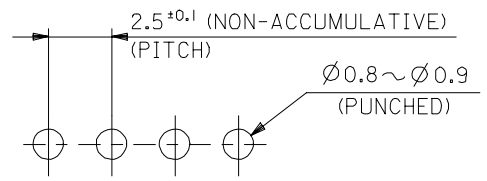
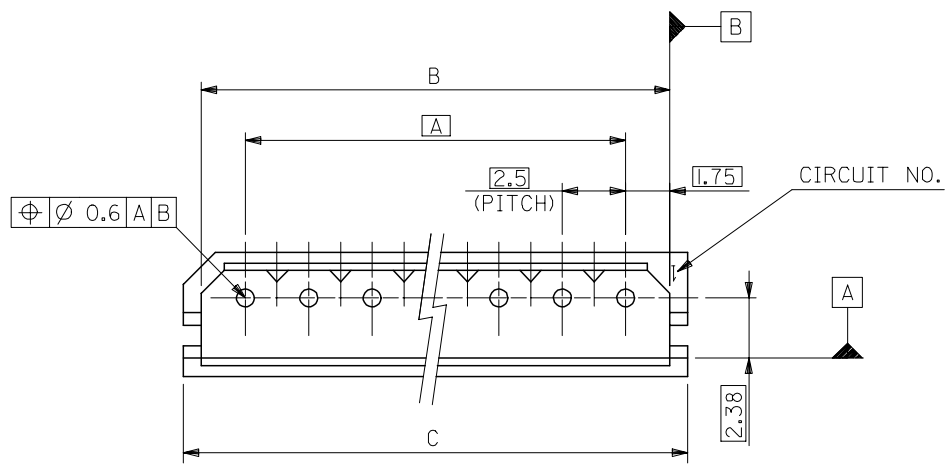
E

D

C

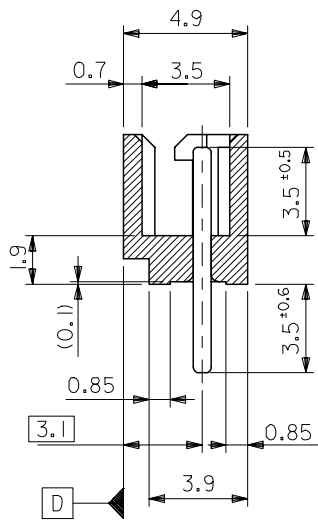
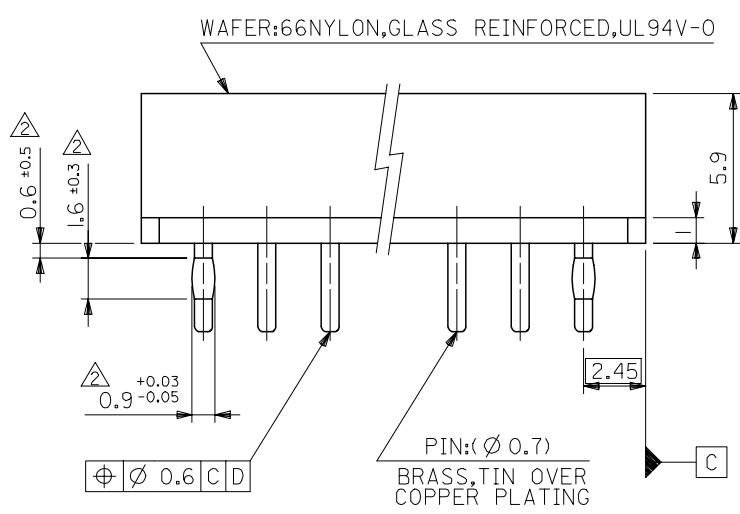
B

A



RECOMMENDED P.C.BOARD HOLE DIM.  
(t=1.6)

NOTES:  
I. MATES WITH : 5264 SERIES.  
△ APPLIES : PIN, BOTH ENDS



39.9	38.5	35	99-99-0999	5267-15A-X	35301-1550	15
37.4	36	32.5	-0998	-14A-X	35301-1450	14
34.9	33.5	30	-0997	-13A-X	35301-1350	13
32.4	31	27.5	-0996	-12A-X	35301-1250	12
29.9	28.5	25	-0995	-11A-X	35301-1150	11
27.4	26	22.5	-0994	-10A-X	35301-1050	10
24.9	23.5	20	-0993	-09A-X	35301-0950	9
22.4	21	17.5	-0992	-08A-X	35301-0850	8
19.9	18.5	15	-0991	-07A-X	35301-0750	7
17.4	16	12.5	-0990	-06A-X	35301-0650	6
14.9	13.5	10	-0989	-05A-X	35301-0550	5
12.4	11	7.5	-0988	-04A-X	35301-0450	4
9.9	8.5	5	-0987	-03A-X	35301-0350	3
7.4	6	2.5	99-99-0986	5267-02A-X	35301-0250	2
C	B	A	EDP NO.	ENG NO.	ENG NO.	NO OF CKT.
			APPLIED CONNECTOR			

ANGLE	$\pm 3^\circ$
30 OVER	$\pm 0.3$
10 OVER 30 UNDER	$\pm 0.25$
10 UNDER	$\pm 0.2$
GENERAL TOLERANCES	

NEW RELEASED  
ECN NO. KOR2008-0082  
DRWN: K.S.KIM (060102)  
CHK: Y.SooKIM  
APPR: SH.CHOI

QUALITY SYMBOLS  
MAJOR  
CRITICAL

GENERAL TOLERANCES:  
(UNLESS SPECIFIED)

	mm	INCH
4 PLACES	$\pm 0.$	$\pm -$
3 PLACES	$\pm 0.$	$\pm -$
2 PLACES	$\pm 0.$	$\pm -$
1 PLACE	$\pm 0.$	$\pm -$

ANGULAR:  $\pm$  °

DRAFT WHERE APPLICABLE MUST REMAIN WITHIN DIMENSIONS

SCALE 5:1  
DESIGN UNITS  mm  INCH  
THIRD ANGLE PROJECTION  mm  INCH  mm ONLY

TITLE: 2.5 LOW PROFILE WAFER ASS'Y WITH COIN

**MOLEX INCORPORATED**

CAD FILENAME MATERIAL NO. DRAWING NO. SD-35301-012 SHEET NO. 1 OF 1

THIS DRAWING CONTAINS INFORMATION THAT IS PROPRIETARY TO MOLEX INCORPORATED AND SHOULD NOT BE USED WITHOUT WRITTEN PERMISSION.

SIZE B

8 7 6 5 4 3 2 1 KOREA MX-A3