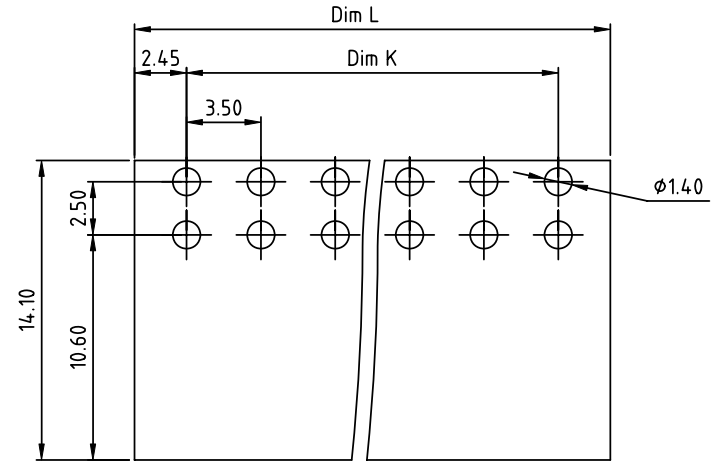
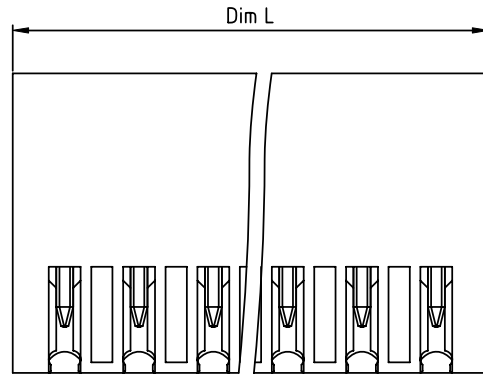
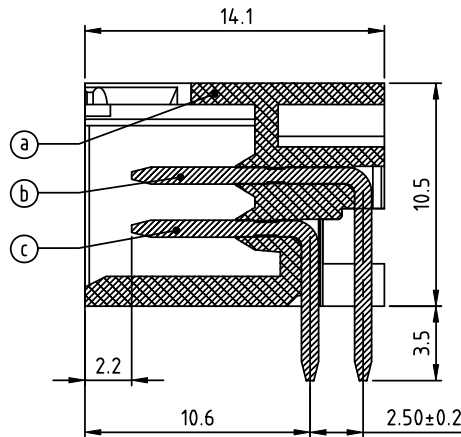
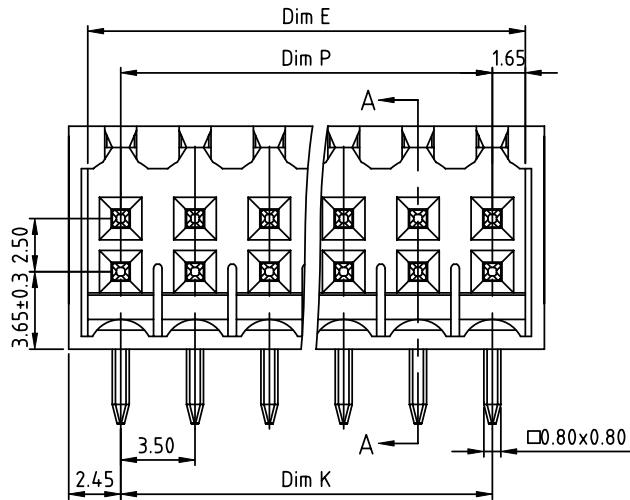


PRODUCT NUMBER	PITCH
VXxx11x100J0G	3.50 mm



RECOMMENDED P.C.B LAYOUT
TOP VIEW



SECTION A-A

- Material:
- Item Ⓐ Terminal housing:Thermoplastic(UL94V-0)
 - Item Ⓑ Long pin: Brass, Tin plated
 - Item Ⓒ Short pin: Brass, Tin plated

- Electrical: cULus
- Voltage rating: 150V
 - Current rating: 7A
 - Withstanding Voltage: 1.3KV
 - Operating temperature: -40°C to +115°C
 - Soldering temperature: 260°C±5°C/5 Sec
 - Safety Approval:

$$\text{Dim L}=(N/2-1)\times 3.5+4.9$$

$$\text{Dim P}=(N/2-1)\times 3.5$$

$$\text{Dim K}=(N/2-1)\times 3.5$$

$$\text{Dim E}=(N/2-1)\times 3.5+3.3$$

N=Number of poles

Poles	Dim L	Dim P	Dim K	Dim E
2x2p-2x6p	±0.15	±0.10	±0.10	±0.15
2x7p-2x12p	±0.25	±0.20	±0.20	±0.25
2x13p-2x18p	±0.35	±0.30	±0.30	±0.35
2x19p-2x24p	±0.40	±0.35	±0.35	±0.40

PART NO.: VX xx 11 x 1 00J0 G

- | | | | | | | |
|---|--------------|------------|-----------------|-------------------|----------------|-----------------|
| ↓ | Solid block | 0 | Black (RAL9005) | ↓ | RoHS compliant | |
| ↓ | No. of poles | 2 | Red (RAL3001/D) | ↓ | (lead<4%) | |
| ↓ | 04 | 2x2 poles | 3 | Orange(RAL2011/P) | ↓ | In copper Alloy |
| ↓ | 06 | 2x3 poles | 4 | Yellow(RAL1018/A) | | |
| ↓ | ... | ... | 5 | Green(RAL6018/T) | | |
| ↓ | 48 | 2x24 poles | 6 | Blue (RAL5015/A) | | |
| | | | 8 | Grey(RAL7035/D) | | |
| | | | 9 | White(RAL1102) | | |
| | | | C | Green(RAL6018/U) | | |

mat'l. code		surface ASME Y14.5	tolerance ASME Y14.5	projection	product family
ltr	ecn no	dr	date		TERMINAL BLOCK
				tolerances unless otherwise specified	title
				angles	TERMINAL BLOCK
				⌀	PLUGGABLE SOCKET,RIGHT ANGLE,CLOSE TYPE
				X*±1"	scale
				dr	MM
				enr	EVIN ZHONG 050714
				chr	HANKE FENG 050714
				appd	SHI JUN 050714
sheet index	revision	A			product family
	sheet	1			TERMINAL BLOCK
					title
					PLUGGABLE SOCKET,RIGHT ANGLE,CLOSE TYPE
					dwg no
					VXxx11x100J0G
					sheet 1 of 1 size
					A4
					type
					CUSTOMER Drawing