

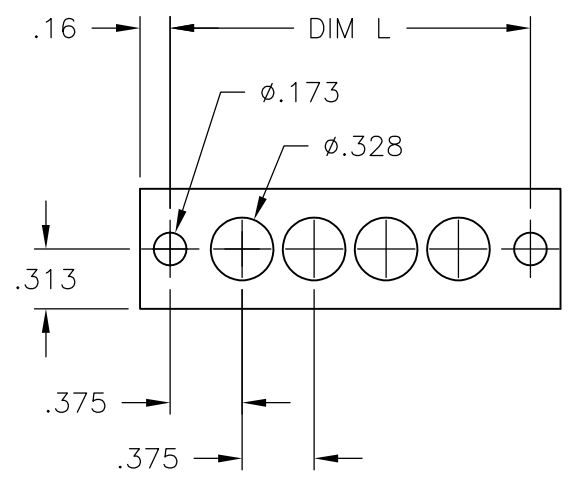
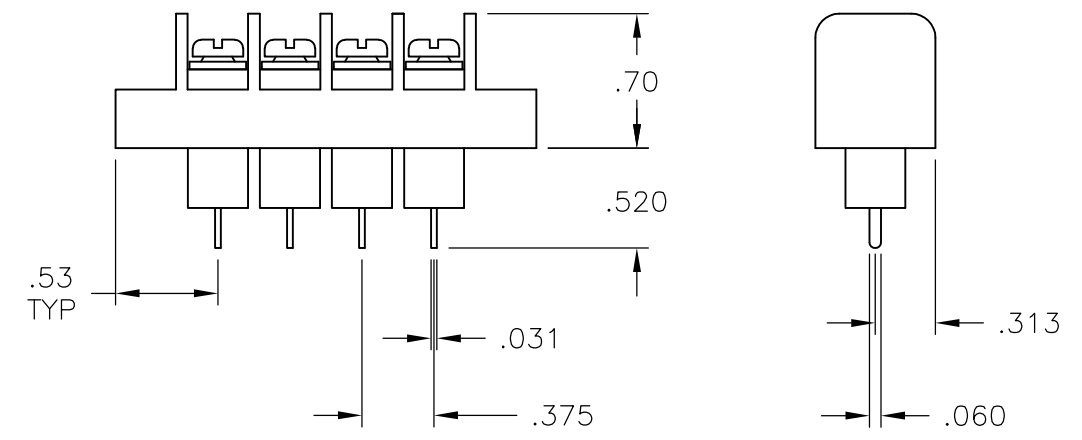
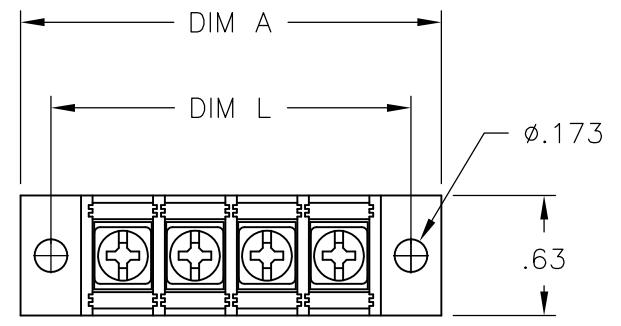
THIS DRAWING IS UNPUBLISHED. RELEASED FOR PUBLICATION
 © COPYRIGHT BY TYCO ELECTRONICS CORPORATION. ALL INTERNATIONAL RIGHTS RESERVED.

| LOC | DIST | REVISIONS | | | |
|-----|------|-------------|---------------------------|---------|--------|
| P | LTR | DESCRIPTION | DATE | DWN | APVD |
| FT | 0 | B | REVISED PER ECO-10-013617 | 26JUL10 | HMR CR |

MATERIAL:
 HOUSING: THERMOPLASTIC, UL94V-0, BLACK.
 TERMINALS: BRIGHT TIN OVER COPPER ALLOY.
 SCREWS: 6-32, STEEL, ZINC PLATING W/ CLEAR CHROMATE.

ELECTRICAL:
 UL/CSA
 CLASS C: 20A, 300V.
 CLASS D: 5A, 600V.
 WIRE RANGE: 12-22 AWG.

MECHANICAL:
 RECOMMENDED TORQUE: 7 IN-LB.
 OPERATING TEMP.: 105°C MAX.



MOUNTING PANEL LAYOUT

| | | | | |
|-------|-------|----|-------------|-------------|
| 9.000 | 9.314 | 23 | JC6-E308-23 | 2-1546725-3 |
| 8.625 | 8.939 | 22 | JC6-E308-22 | 2-1546725-2 |
| 8.250 | 8.564 | 21 | JC6-E308-21 | 2-1546725-1 |
| 7.875 | 8.189 | 20 | JC6-E308-20 | 2-1546725-0 |
| 7.500 | 7.814 | 19 | JC6-E308-19 | 1-1546725-9 |
| 7.125 | 7.439 | 18 | JC6-E308-18 | 1-1546725-8 |
| 6.750 | 7.064 | 17 | JC6-E308-17 | 1-1546725-7 |
| 6.375 | 6.689 | 16 | JC6-E308-16 | 1-1546725-6 |
| 6.000 | 6.314 | 15 | JC6-E308-15 | 1-1546725-5 |
| 5.625 | 5.939 | 14 | JC6-E308-14 | 1-1546725-4 |
| 5.250 | 5.564 | 13 | JC6-E308-13 | 1-1546725-3 |
| 4.875 | 5.189 | 12 | JC6-E308-12 | 1-1546725-2 |
| 4.500 | 4.814 | 11 | JC6-E308-11 | 1-1546725-1 |
| 4.125 | 4.439 | 10 | JC6-E308-10 | 1-1546725-0 |
| 3.750 | 4.064 | 9 | JC6-E308-09 | 1546725-9 |
| 3.375 | 3.689 | 8 | JC6-E308-08 | 1546725-8 |
| 3.000 | 3.314 | 7 | JC6-E308-07 | 1546725-7 |
| 2.625 | 2.939 | 6 | JC6-E308-06 | 1546725-6 |
| 2.250 | 2.564 | 5 | JC6-E308-05 | 1546725-5 |
| 1.875 | 2.189 | 4 | JC6-E308-04 | 1546725-4 |
| 1.500 | 1.814 | 3 | JC6-E308-03 | 1546725-3 |
| 1.125 | 1.439 | 2 | JC6-E308-02 | 1546725-2 |

| DIM. L | DIM. A | NO. OF POS. | CATALOG NUMBER | PART NO. |
|--------|--------|-------------|----------------|----------|
|--------|--------|-------------|----------------|----------|

| | | | | |
|--|--|------------------------|---|--------------|
| THIS DRAWING IS A CONTROLLED DOCUMENT. | | DWN S SCHLEGEL 3/10/05 | Tyco Electronics Corporation Harrisburg, PA 17105-3608 | |
| DIMENSIONS: INCHES | | CHK S. YODER 3/10/05 | | |
| TOLERANCES UNLESS OTHERWISE SPECIFIED: | | APVD S. YODER 3/10/05 | NAME | |
| 0 PLC ± - | | PRODUCT SPEC | JC6-E308-XX ASSEMBLY | |
| 1 PLC ± - | | APPLICATION SPEC | SIZE CAGE CODE DRAWING NO RESTRICTED TO | |
| 2 PLC ± .01 | | WEIGHT - | A3 00779 C-1546725 | |
| 3 PLC ± .005 | | CUSTOMER DRAWING | SCALE NTS | SHEET 1 OF 1 |
| 4 PLC ± - | | | REV B | |
| ANGLES ± - | | | | |
| FINISH - | | | | |