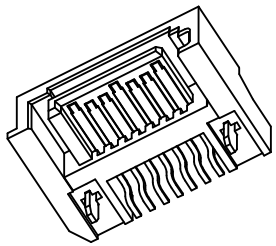
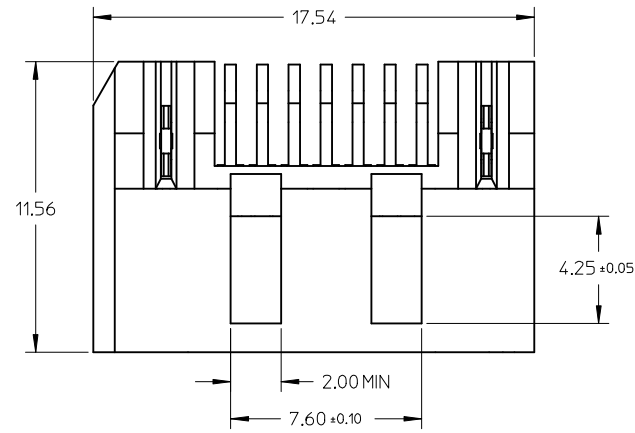


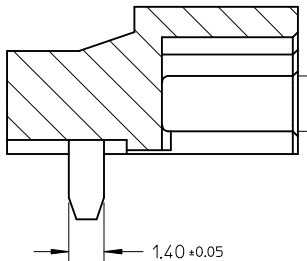
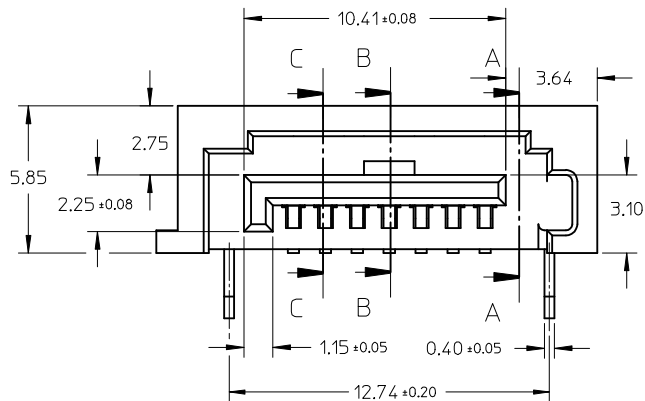
F



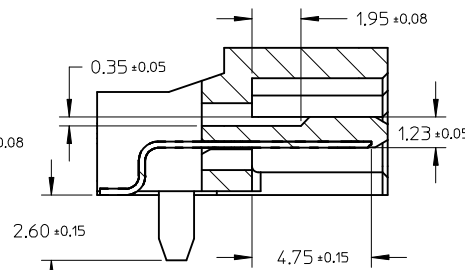
- NOTES:
- MATERIAL:
HOUSING: HIGH TEMPERATURE PLASTIC, GLASS FILLED, UL94V-0, COLOR: SEE CHART;
TERMINAL/PEG: COPPER ALLOY;
MYLAR: ADHESIVE TAPE.
 - TERMINAL AND PEG PLATING:
CONTACT AREA: GOLD PLATED ON 1.25 MICRONS MINIMUM NICKEL UNDER PLATE, REFERRED TO PLATING TYPE LIST IN TABLE;
SOLDER AREA: 1.27 MICRONS PURE TIN PLATED ON 1.25 MICRONS MINIMUM NICKEL UNDER PLATE, REFERRED TO REMARK IN TABLE.
 - PRODUCT SPECIFICATION REFER TO PS-67490-001.
 - MATING PART: 67489.
 - PRODUCT COMPLIANT TO RoHS DIRECTIVE 2002/95/EC AND ELV 2000/53/EC.

E

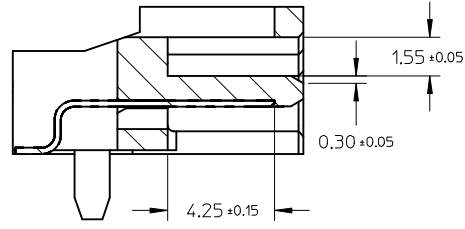
D



SECTION A-A



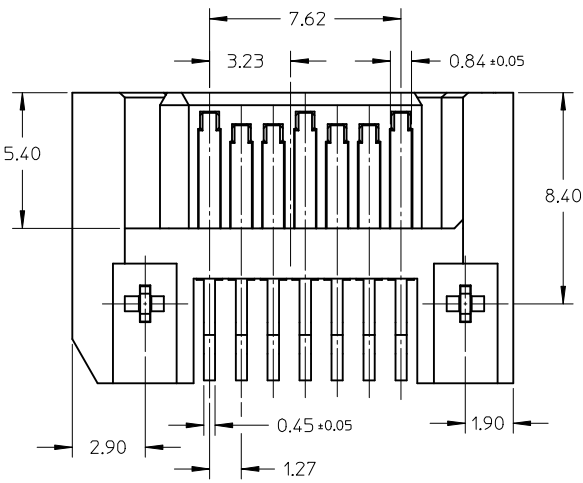
SECTION B-B



SECTION C-C

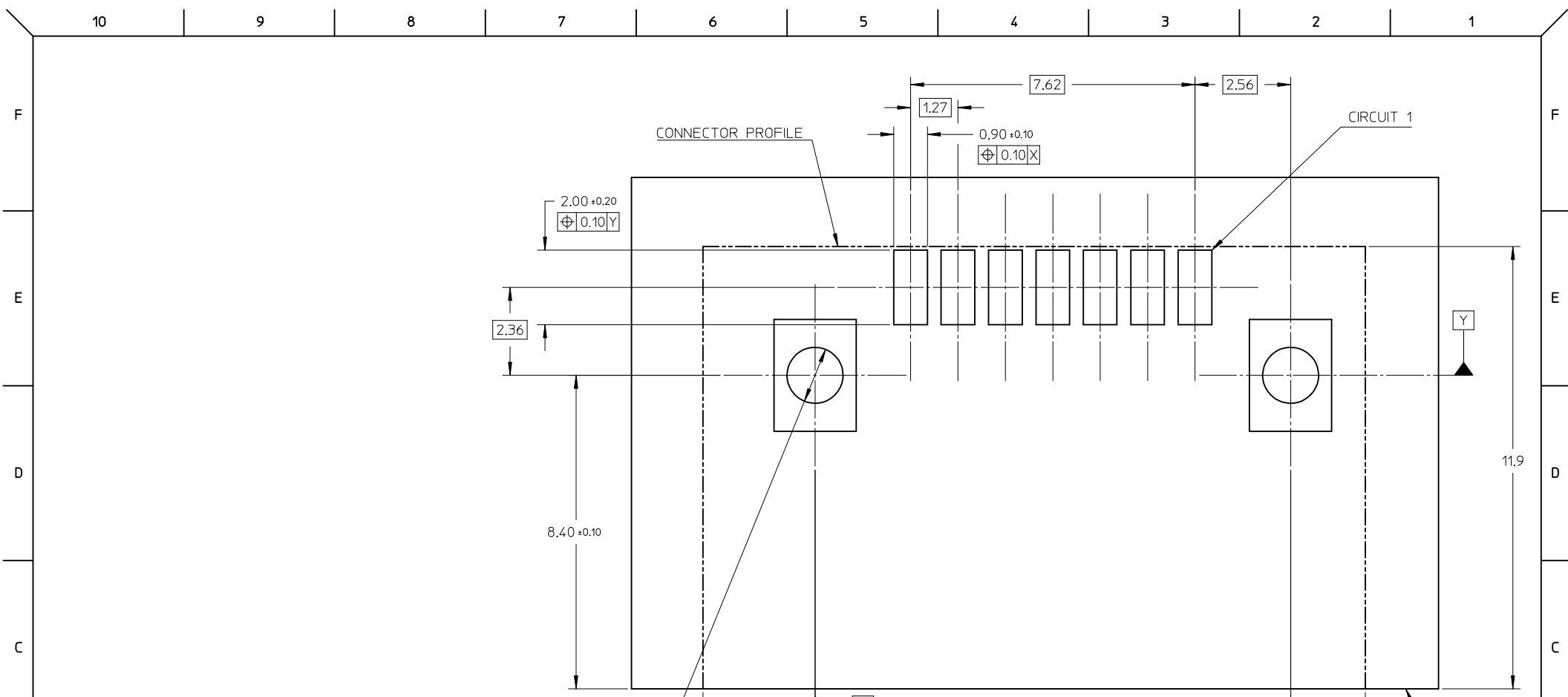
C

B



A

OBSOLETE PART EC NO: SH2012-0231 DRWG:GLLI CHKD:XOZHANG APPR:AYIN 2012/01/17 2012/01/17 2012/01/20	QUALITY SYMBOLS ▽=0 ◻=0	GENERAL TOLERANCES (UNLESS SPECIFIED)		DIMENSION STYLE MM ONLY		SCALE 1:1	DESIGN UNITS METRIC	THIRD ANGLE PROJECTION	
			mm	INCH	DRAWN BY GRATE MA	DATE 2004/06/14	TITLE SATA SYSTEM PLUG PEG INSERT TYPE WITH SHROUD		
		4 PLACES	± ---	± ---	CHECKED BY GRATE MA	DATE 2004/06/14	MOLEX INCORPORATED DOCUMENT NO. SD-47080-001 SHEET NO. 1 OF 2		
		3 PLACES	± ---	± ---	APPROVED BY VINCENT	DATE 2004/06/14			
2 PLACES	± 0.15	± ---	MATERIAL NO. SEE SHEET 2		THIS DRAWING CONTAINS INFORMATION THAT IS PROPRIETARY TO MOLEX INCORPORATED AND SHOULD NOT BE USED WITHOUT WRITTEN PERMISSION				
1 PLACE	± 0.25	± ---	ANGULAR ± 1 °						
DRAFT WHERE APPLICABLE MUST REMAIN WITHIN DIMENSIONS									



RECOMMENDED P.C.B LAYOUT
THICKNESS: 1.60+/- 0.05

PART NO	PLATING TYPE	PLASTIC COLOR	REMARK
47080-4001	GOLD FLASH	BLACK	BRIHGT TIN
47080-4002	GOLD PLATED 0.76 MICRONS		
47080-4005	GOLD PLATED 0.38 MICRONS		
47080-6001	GOLD FLASH	PROCESS BLUE C	BRIHGT TIN
47080-6002	GOLD PLATED 0.76 MICRONS	DELTA E<3	
47080-6005	GOLD PLATED 0.38 MICRONS		
47080-1010	GOLD FLASH	BLACK	
47080-1020	GOLD PLATED 0.76 MICRONS		
47080-1030	GOLD PLATED 0.38 MICRONS		
47080-2010	GOLD FLASH	NATURE COLOR	
47080-2020	GOLD PLATED 0.76 MICRONS		
47080-2030	GOLD PLATED 0.38 MICRONS		
47080-3010	GOLD FLASH	PROCESS BLUE C	MATTE TIN
47080-3020	GOLD PLATED 0.76 MICRONS	DELTA E<3	
47080-3030	GOLD PLATED 0.38 MICRONS		

OBSOLETE PART
EC NO: SH2012-0231
DRAWING: 2012/01/17
CHKD: XZHZHANG 2012/01/17
APPR: AYIN 2012/01/20

QUALITY SYMBOLS
▽=0
▽=0

GENERAL TOLERANCES (UNLESS SPECIFIED)

	mm	INCH
4 PLACES	± ---	± ---
3 PLACES	± ---	± ---
2 PLACES	± 0.15	± ---
1 PLACE	± 0.25	± ---
ANGULAR ± 1 °		

DRAFT WHERE APPLICABLE
MUST REMAIN WITHIN DIMENSIONS

DIMENSION STYLE
MM ONLY

DRAWN BY	DATE	TITLE
GRATE MA	2004/06/14	SATA SYSTEM PLUG PEG INSERT TYPE WITH SHROUD
CHECKED BY	DATE	
GRATE MA	2004/06/14	MOLEX INCORPORATED
APPROVED BY	DATE	
VINCENT	2004/06/14	

MATERIAL NO. SEE TABLE
DOCUMENT NO. SD-47080-001

SCALE 1:1
DESIGN UNITS METRIC
THIRD ANGLE PROJECTION

MOLEX INCORPORATED
SD-47080-001
SHEET NO. 2 OF 2

THIS DRAWING CONTAINS INFORMATION THAT IS PROPRIETARY TO MOLEX INCORPORATED AND SHOULD NOT BE USED WITHOUT WRITTEN PERMISSION