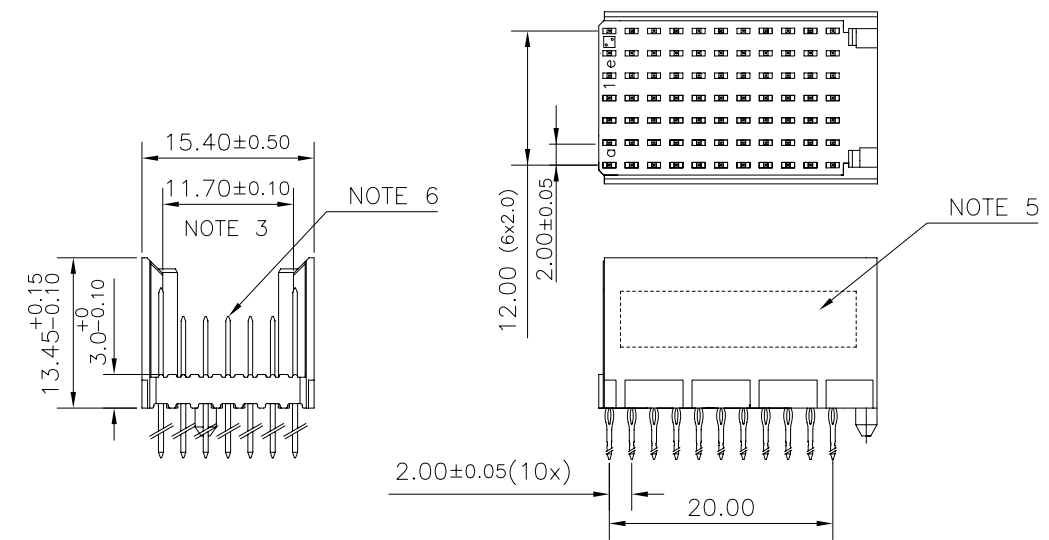


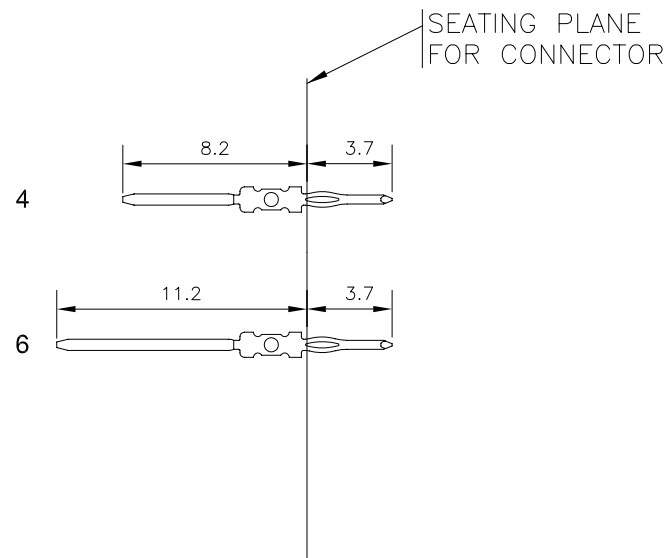
LOADING PATTERN MATING SIDE

|     |    |    |    |   |   |   |   |   |   |   |
|-----|----|----|----|---|---|---|---|---|---|---|
| f   | 6  | 6  | 6  | 6 | 6 | 6 | 6 | 6 | 6 | 6 |
| e   | 4  | 4  | 4  | 4 | 4 | 4 | 4 | 4 | 4 | 4 |
| d   | 4  | 4  | 4  | 4 | 4 | 4 | 4 | 4 | 4 | 4 |
| c   | 4  | 4  | 4  | 4 | 4 | 4 | 4 | 4 | 4 | 4 |
| b   | 4  | 4  | 4  | 4 | 4 | 4 | 4 | 4 | 4 | 4 |
| a   | 4  | 4  | 4  | 4 | 4 | 4 | 4 | 4 | 4 | 4 |
| z   | 6  | 6  | 6  | 6 | 6 | 6 | 6 | 6 | 6 | 6 |
| POS | 01 | 05 | 10 |   |   |   |   |   |   |   |

LOADED CONNECTOR ASSEMBLY (FOR EXAMPLE)



CONTACT OVERVIEW

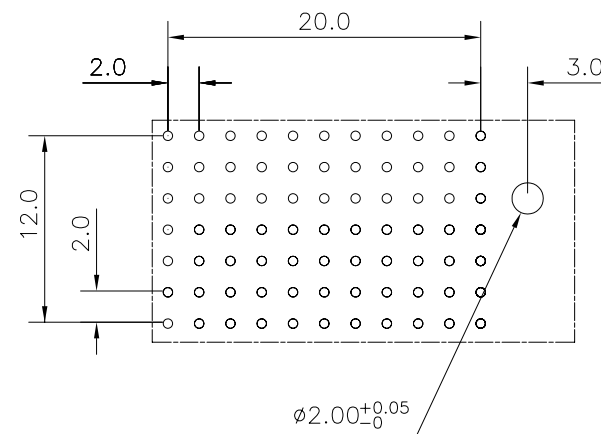


HM2P09PA5111-  
 LEAD FREE INDICATOR : LF = LEAD FREE (DIGIT 15 & 16)  
 PLATING CODE (DIGIT 13 AND 14)

PLATING TABLE

| CODE | PLATING  | CONTACT AREA              | TYPE OF TERMINAL                     | PERFORMANCE LEVEL   |
|------|----------|---------------------------|--------------------------------------|---|
| AA   | 0.75μ Au | GOLD OVER NICKEL PLATING. | SHORT TERMINAL EON PRESSFIT CONTACTS | IEC PERFORMANCE LEVEL 2 (250 mating cycles) or TELCORDIA CO |
| AB   | 1.25μ Au | GOLD OVER NICKEL PLATING. | SHORT TERMINAL EON PRESSFIT CONTACTS | TELCORDIA UE  |

LAY-OUT P.C.B.-HOLE



NOTES

- THIS PRODUCT IS CSA APPROVED.
  - THIS PRODUCT IS UL RECOGNIZED.
  - MEASURED AT THE BOTTOM.
  - MATERIAL CONTACT: PHOSPHOR BRONZE  
HOUSING : CREAM WHITE GLASS FILLED POLYESTER UL-94V0
  - CONNECTOR PRINTED WITH P/N AND DATE CODE.
  - FOR ACTUAL CONTACT LOADINGS, SEE LOADING PATTERN MATING SIDE.
  - SHAPE OF CONNECTOR HOUSING CAN ALTER DEPENDING ON PRODUCTION LOCATION
  - THE PRODUCT (LF) MEETS EUROPEAN UNION DIRECTIVES AND OTHER COUNTRY REGULATIONS AS DESCRIBED IN GS-22-008
  - FOR RECOMMENDED PTH DIMENSIONS REFER DRAWING : BS, A , 201572 , 001
- CATALOG NO: HM2P09PA5111-----

|             |  |                |  |                  |  |                             |  |                                       |  |
|-------------|--|----------------|--|------------------|--|-----------------------------|--|---------------------------------------|--|
| mat'l. code |  | surface        |  | tolerance        |  | projection                  |  | product family                        |  |
| SEE NOTE 4  |  | ISO 1302 ✓     |  | ISO 406 ISO 1101 |  |                             |  | MILLIPACS                             |  |
| ltr         |  | ecn no         |  | dr               |  | date                        |  | title                                 |  |
| A           |  | I09-0210       |  | MINI             |  | 2009-10-06                  |  | MILLIPACS 5+2R STR HDR PF CONN TYPE C |  |
| B           |  | I09-0290       |  | AB               |  | 2009-12-29                  |  |                                       |  |
| C           |  | I10-0018       |  | MINI             |  | 2010-01-13                  |  |                                       |  |
|             |  |                |  | dr               |  | MINI K VANDANATH 2009-10-06 |  | dwg no                                |  |
|             |  |                |  | enr              |  | ALEX BABU 2009-10-06        |  | sheet 1 of 1                          |  |
|             |  |                |  | chr              |  | ALEX BABU 2009-10-06        |  | size                                  |  |
|             |  |                |  | appd             |  | ALEX BABU 2009-10-06        |  | A3                                    |  |
| sheet index |  | revision sheet |  | c                |  |                             |  | type Product Customer Drawing         |  |
|             |  | 1              |  |                  |  |                             |  |                                       |  |



Copyright FCI