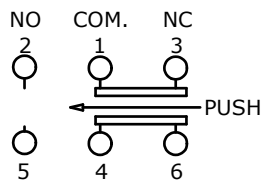


SWITCH FUNCTION	
POS. 1	POS. 2
ON	(ON)
1-3, 4-6	1-2, 4-5

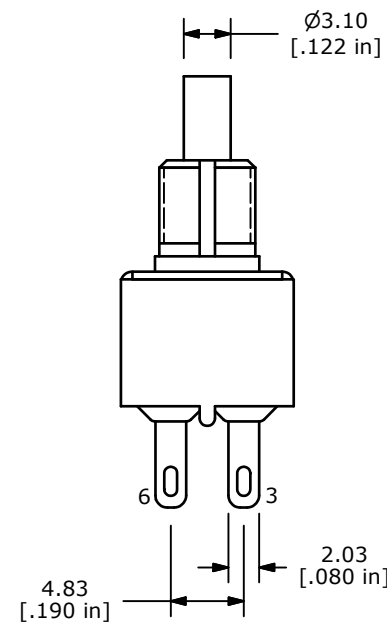
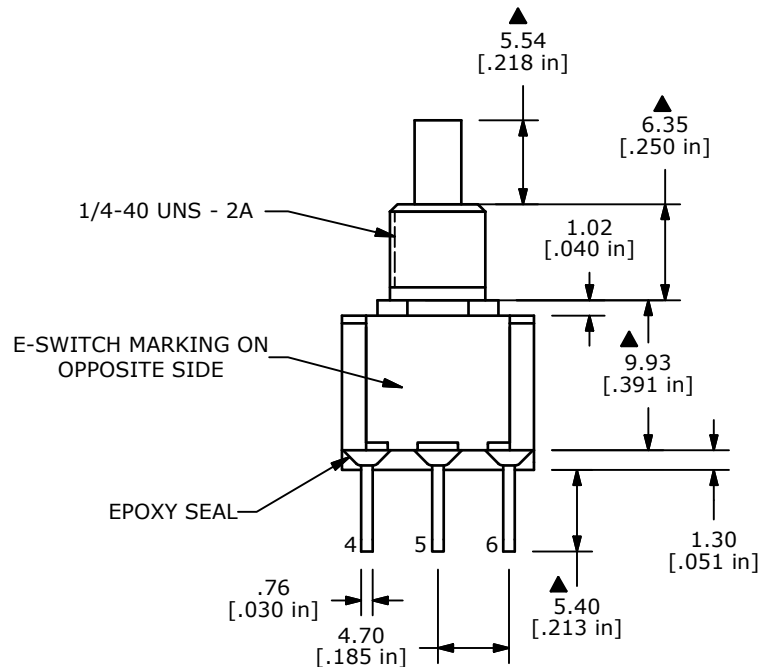
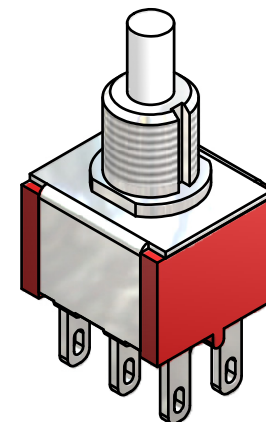
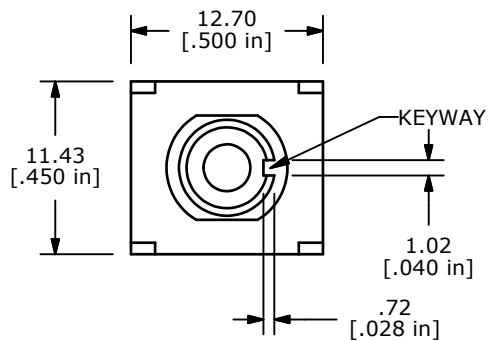
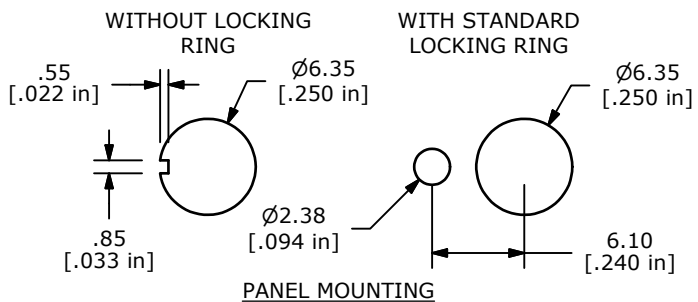
() = MOMENTARY



CIRCUIT DIAGRAM

NOTES:

- ALL DIMENSIONS IN MM [INCH]
- GENERAL TOLERANCE: X.X=±0.4
X.XX=±0.25
- TERMINAL NUMBERS FOR REFERENCE ONLY
- CONTACT MATERIAL: GOLD
- RATING: 0.4VA MAX. @ 20VAC or DC MAX.
- ELECTRIC LIFE: 50,000 MAKE-AND-BREAK CYCLES AT FULL LOAD
- INSULATION RESISTANCE: 1,000 MEGA-OHM MIN.
- ACTUATION FORCE: 300 ± 100gf
- TRAVEL: 1.0 ± 0.2mm
- CONTACT RESISTANCE: 20 mOHM MAX. TYPICAL @ 2-4 VDC
- DIELECTRIC STRENGTH: 1,000 V RMS @ SEA LEVEL.
- OPERATING TEMP.: -30°C to 85°C
- ▲ DENOTES CRITICAL PARAMETER.
- 2002/95/EC (ROHS) COMPLIANT.
- HARDWARE TO BE SHIPPED BULK
T100000 - HEXNUT - QTY 2
T100011 - LOCKWASHER - QTY 1
T100015 - LOCKRING - QTY 1



B	20036	DRAWING CLEAN-UP / UPDATE	6/28/11	BGL
A	16361	RELEASED FOR PRODUCTION	8/23/03	BO
REV	PCR NO	DESCRIPTION	DATE	BY

TITLE 700DP7B10M1REH				
SCALE 2:1	DATE 8/23/2006	DR BO	DWG ST721001	REV B

THE INFORMATION CONTAINED IN THIS DOCUMENT IS PROPRIETARY TO E-SWITCH AND IS NOT TO BE COPIED OR TRANSFERRED