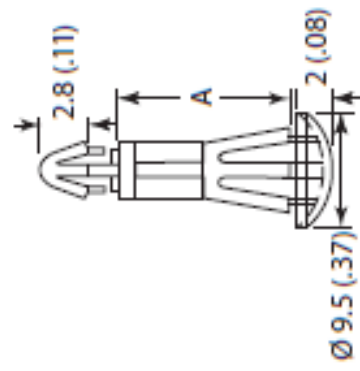


Material: UL94 V-2 Nylon 6/6		
Color: Natural		
Part No.	A	
	mm	in
CBRLDS205A	3.5	.138
CBRLDS210A	4.8	.189
CBRLDS215A	6.4	.252
CBRLDS220A	7	.276
CBRLDS225A	8	.315
CBRLDS230A	10	.394
CBRLDS235A	11	.433
CBRLDS240A	12.7	.500
CBRLDS245A	15.9	.626

TO SNAP LOCK IN A 3.5 (.137) Ø HOLE, IN
A 1.6 (.062) PANEL THICKNESS



TO SNAP LOCK IN A 5.5 (.216) Ø HOLE, IN A
0.8 - 1.6 (.031 - .062) PANEL THICKNESS

TOLERANCES
UNLESS NOTED

≤ 5 mm	±0.2
5 - 20 mm	±0.3
20 - 40 mm	±0.4
40 - 60 mm	±0.5
60 - 100 mm	±0.8
≥ 100 mm	±1.0

TITLE: DUAL LOCKING CIRCUIT BOARD SUPPORT	DWG IN MM (IN)	PRINT TYPE CA
FILE# CBRLDS2XX	PART #	SEE TABLE
SHEET: 1 OF 1	SHEET SIZE: A	DT: 01/08/15
RE:		