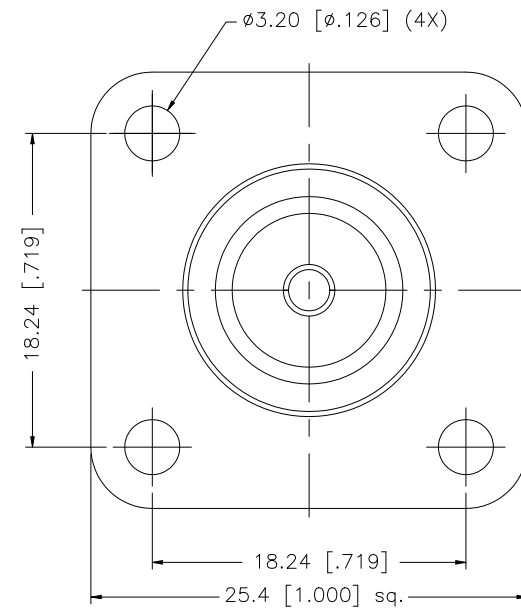
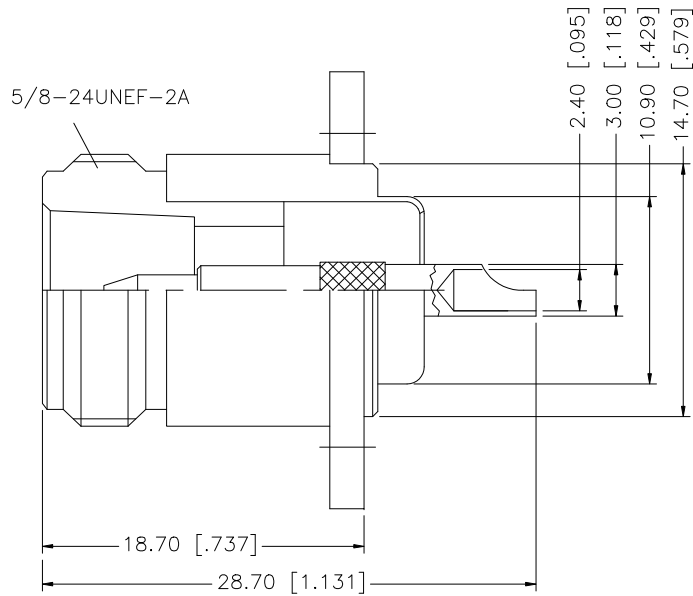


REV.	DATE	DESCRIPTION
NC	11/19/01	INITIAL RELEASE
A	01/02/08	REVISE INTERNAL CONTACT PIN TO MALE, UPDATE DRAWING FORMAT



8				
7				
6				
5				
4				
3	CONTACT PIN	BRASS	GOLD	1
2	INSULATOR	TEFLON	NATURAL	1
1	BODY/HOUSING	BRASS	NICKEL	1
DESCRIPTION	MATERIAL	FINISH	QTY	

UNLESS OTHERWISE SPECIFIED DIMENSIONS ARE IN MILLIMETERS. DIMENSIONS IN [] ARE IN INCHES AND FOR CUSTOMER REFERENCE ONLY.

UNLESS OTHERWISE SPECIFIED TOLERANCES FOR MILLIMETERS ARE:
0.5 - 8mm ± 0.20mm
8 - 30mm ± 0.40mm
30 - 120mm ± 0.50mm

UNLESS OTHERWISE SPECIFIED TOLERANCES FOR INCHES ARE:
.020 - .315 = ± 0.007"
.315 - 1.180 = ± 0.015"
1.180 - 4.724 = ± 0.020"

DO NOT SCALE DRAWING

APPROVALS	DATE
DRAWN G.R.S.	01/02/08
CHECKED	
ISSUED	
SHEET 1 OF 1	
CAD FILE	C:/172/172119RP.DWG

<h1>Amphenol Connex</h1>			
PART DESCRIPTION			
N REVERSE POLARITY PANEL RECEPT. JACK			
PART NO.			
172119RP			
DWG. NO.	172119RP.DWG	REV.	A
SIZE	A	SCALE	NA