

PCB LAYOUT  
COMPONENT SIDE  
**CUSTOMER DRAWING**

- NOTES:
- ALL DIMENSIONS ARE REFERENCE.
  - MATERIALS:  
HOUSING: THERMOPLASTIC, BLACK  
TERMINALS: COPPER ALLOY, SILVER PLATED  
"AU" SUFFIX - GOLD PLATED
  - SUPPLIED ON TAPE & REEL, SEE SHEET 2.
  - THIS PRODUCT IS RoHS COMPLIANT

REV	ECO NUMBER	DATE	BY	APVD
B	25810	1-31-08	TJK	TJK
A	25190	2-6-06	JL	GG

REVISIONS

★ STAR SYMBOL DENOTES CRITICAL DIMENSION

UNLESS OTHERWISE SPECIFIED

- ALL DIMENSIONS IN INCHES  
- TWO PLACE DECIMALS ±0.01  
- THREE PLACE DECIMALS ±0.005  
- ANGLES ±1°  
- ALL DIA. CONCENTRIC WITHIN 0.005 T.I.R.
- FEATURES ON THE SAME CENTERLINE MUST BE ALIGNED WITHIN ±0.002
- REMOVE ALL BURRS

DO NOT SCALE DRAWING

THIS DRAWING DESCRIBES A DESIGN CONSIDERED PROPRIETARY IN NATURE, DEVELOPED AND MANUFACTURED BY SWITCHCRAFT INC. AND IS RELEASED ON A CONFIDENTIAL BASIS FOR IDENTIFICATION PURPOSES ONLY.

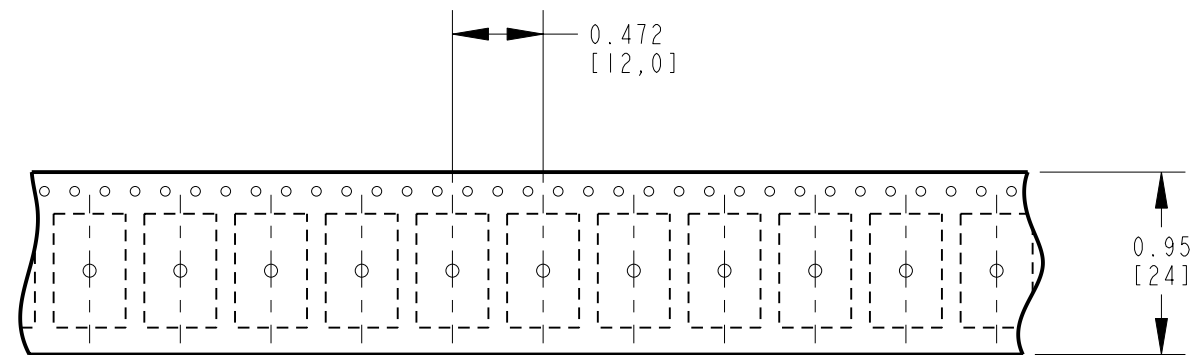
SIZE	WIDTH	MULT	LBS/M	TEMPER
FINISH		MATERIAL		
SPEC No.		SPEC No.		
FIRST USED ON		SCALE		
		7.5		
DATE DRAWN	BY	CHKD	APVD	
06-Feb-06	JL	GG	GG	
		2-6-06		2-6-06
NAME		PART No.		
2.5 MM PHONE JACK SURFACE MOUNT, RoHS		MDSMT2-X-MDSMT3-X-SERIES		
				REV
				B

SHEET 1 OF 2

**Switchcraft**

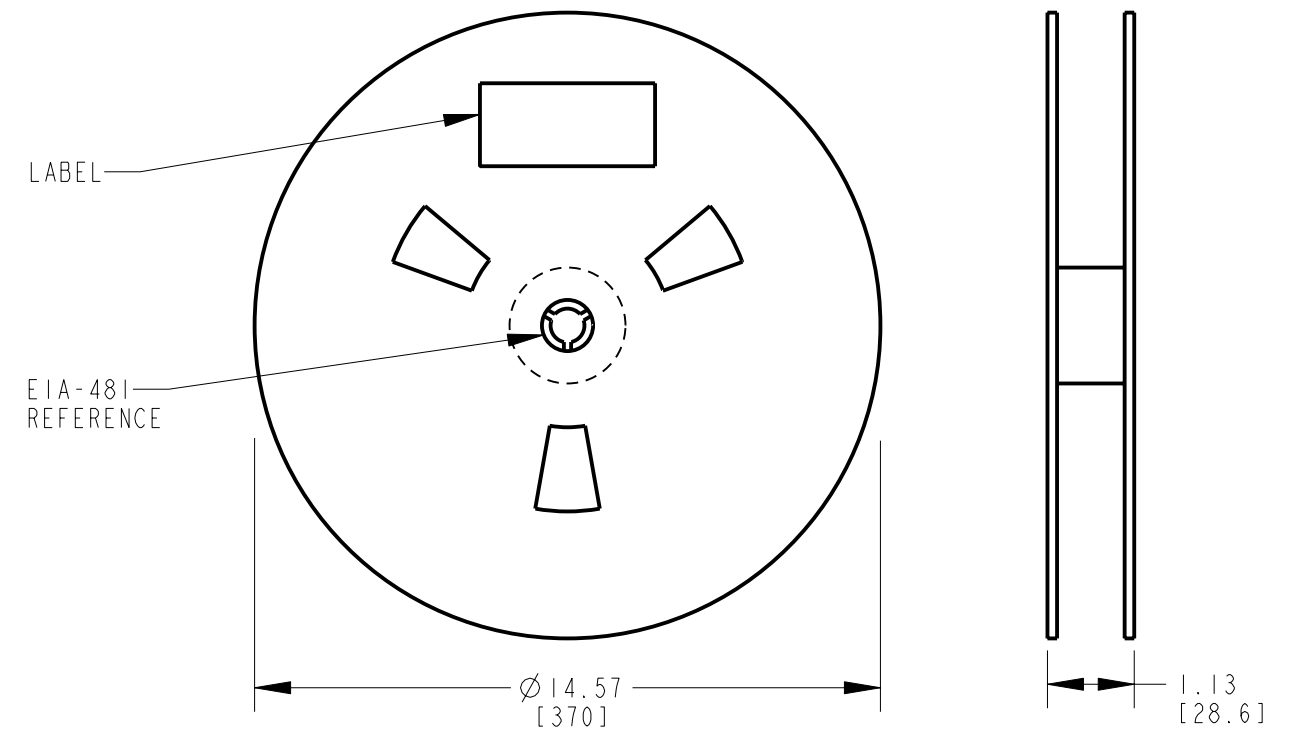
A: CARRIER SIZE

1. DETAIL SIZES REFERENCE: EIA-481
2. SPECIFICATION: 24 MM X 12 MM
3. COVER TAPE: SPECIFICATION ATTACHED (CONDUCTIVE)



B: REEL SIZE

1. QUANTITY: 1000 PCS/REEL
2. MATERIAL: THERMOPLASTIC



SCALE NONE	<b>Switchcraft</b> <sup>®</sup>	
DATE DRAWN 06-Feb-06		
DRAWN BY JL	PART No. MDSMT2_X-MDSMT3_X-SERIES	REV B