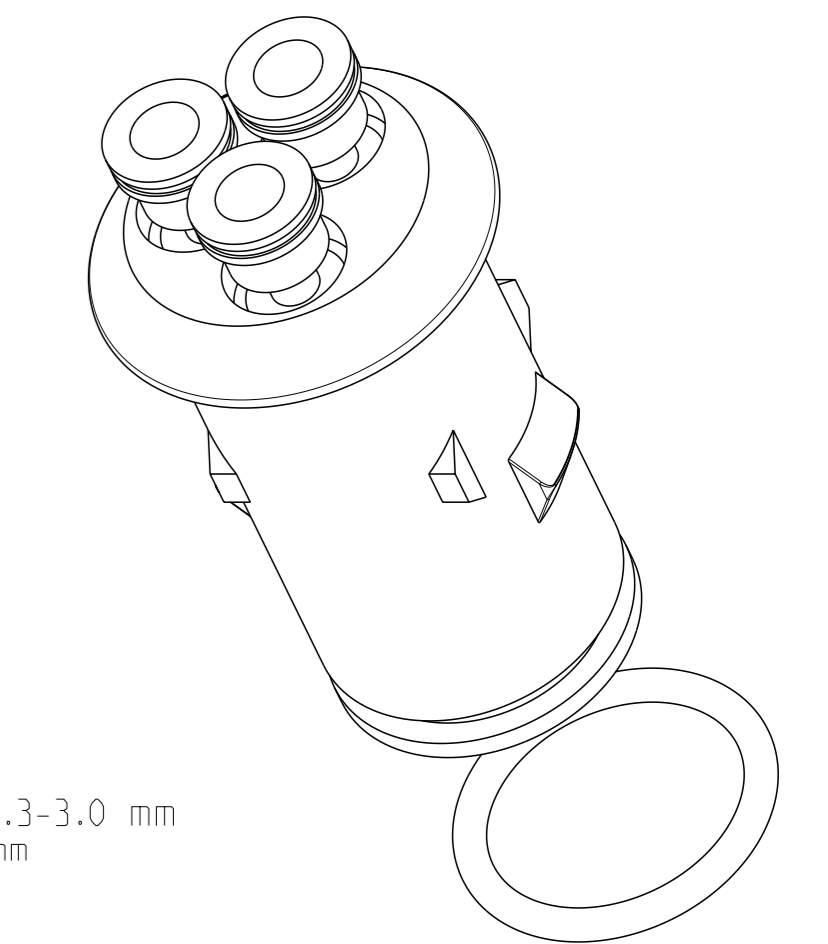


REVISONS		DATE	OWN	APVD
H1	SEE PCN EG00-0656-97	28MAY97	CD	AM
H2	ECR-12-013691	15AUG2012	GB	S2G



- NOTES**
Bemerkungen
- PARTS MUST BE PACKAGED AIRTIGHT IN BAGS OF LUPOLEN [500/1000 PIECES]
Teile in Lupolenbeutel luftdicht verpackt [500/1000 Stück]
 - SEALING FOR WIRE WITH OUTSIDE INSULATION DIAMETER 2.3-3.0 mm
Dichtungsstelle fuer Litzenleitung mit Isolationsdurchmesser 2.3-3.0 mm
 - SEALING FOR WIRE WITH OUTSIDE INSULATION DIAMETER 1.3-2.3 mm
Dichtungsstelle fuer Litzenleitung mit Isolationsdurchmesser 1.3-2.3 mm
 - CAUTION
AN ABSOLUTE FUNCTION OF THIS PLUG CAN BE GUARANTEED ONLY BY USING ORIGINAL TEC PARTS AND EXACT WORKING ACCORDING TO THE PROCESSING REGULATIONS.
Achtung
Eine einwandfreie Funktion dieser Stecker kann nur bei Verwendung von Original TEC-Teilen und genauer Einhaltung der Verarbeitungsvorschriften garantiert werden.

REV.	DESCRIPTION	MATERIAL	COLOUR	QTY.	ITEM NO	
OBSOLETE	2-826886-2	H	SEAL 2 O-RING NEOPRENE	GREY	3	2
			3 POS. SOCKET HOUSING	PA 6.6 GFV13	1	3
			SEAL 3 O-RING NEOPRENE	BLACK	1	4
			3 POS. SOCKET HOUSING	PA 6.6 GFV13	3	2
			SEAL 2 O-RING NEOPRENE	BLACK	1	3
			3 POS. SOCKET HOUSING	PA 6.6 GFV13	1	4
			SEAL 2 O-RING NEOPRENE	GREY	3	2
			3 POS. SOCKET HOUSING	PA 6.6 GFV13	1	3
			SEAL 3 O-RING NEOPRENE	BLACK	3	2
			3 POS. SOCKET HOUSING	PA 6.6 GFV13	1	3
			SEAL 2 O-RING NEOPRENE	BLACK	1	4
			3 POS. SOCKET HOUSING	PA 6.6 GFV13	3	2
			SEAL 3 O-RING NEOPRENE	BLACK	1	3
			3 POS. SOCKET HOUSING	PA 6.6 GFV13	1	4
			SEAL 2 O-RING NEOPRENE	BLACK	1	3
			3 POS. SOCKET HOUSING	PA 6.6 GFV13	1	4
			SEAL 3 O-RING NEOPRENE	BLACK	3	2
			3 POS. SOCKET HOUSING	PA 6.6 GFV13	1	3
			SEAL 2 O-RING NEOPRENE	BLACK	1	4
			3 POS. SOCKET HOUSING	PA 6.6 GFV13	3	2
			SEAL 3 O-RING NEOPRENE	BLACK	1	3
			3 POS. SOCKET HOUSING	PA 6.6 GFV13	1	4
			SEAL 2 O-RING NEOPRENE	BLACK	1	3
			3 POS. SOCKET HOUSING	PA 6.6 GFV13	1	4
			SEAL 3 O-RING NEOPRENE	BLACK	3	2
			3 POS. SOCKET HOUSING	PA 6.6 GFV13	1	3
			SEAL 2 O-RING NEOPRENE	BLACK	1	4
			3 POS. SOCKET HOUSING	PA 6.6 GFV13	1	3
			SEAL 3 O-RING NEOPRENE	BLACK	1	1
			3 POS. SOCKET HOUSING	PA 6.6 GFV13	1	1
			SEAL 2 O-RING NEOPRENE	BLACK	1	3
			3 POS. SOCKET HOUSING	PA 6.6 GFV13	1	3
			SEAL 3 O-RING NEOPRENE	BLACK	1	1
			3 POS. SOCKET HOUSING	PA 6.6 GFV13	1	1
			SEAL 2 O-RING NEOPRENE	BLACK	1	3
			3 POS. SOCKET HOUSING	PA 6.6 GFV13	1	3
			SEAL 3 O-RING NEOPRENE	BLACK	1	3
			3 POS. SOCKET HOUSING	PA 6.6 GFV13	1	3
			SEAL 2 O-RING NEOPRENE	BLACK	1	3
			3 POS. SOCKET HOUSING	PA 6.6 GFV13	1	3
			SEAL 3 O-RING NEOPRENE	BLACK	1	3
			3 POS. SOCKET HOUSING	PA 6.6 GFV13	1	3
			SEAL 2 O-RING NEOPRENE	BLACK	1	3
			3 POS. SOCKET HOUSING	PA 6.6 GFV13	1	3
			SEAL 3 O-RING NEOPRENE	BLACK	1	3
			3 POS. SOCKET HOUSING	PA 6.6 GFV13	1	3
			SEAL 2 O-RING NEOPRENE	BLACK	1	3
			3 POS. SOCKET HOUSING	PA 6.6 GFV13	1	3
			SEAL 3 O-RING NEOPRENE	BLACK	1	3
			3 POS. SOCKET HOUSING	PA 6.6 GFV13	1	3
			SEAL 2 O-RING NEOPRENE	BLACK	1	3
			3 POS. SOCKET HOUSING	PA 6.6 GFV13	1	3
			SEAL 3 O-RING NEOPRENE	BLACK	1	3
			3 POS. SOCKET HOUSING	PA 6.6 GFV13	1	3
			SEAL 2 O-RING NEOPRENE	BLACK	1	3
			3 POS. SOCKET HOUSING	PA 6.6 GFV13	1	3
			SEAL 3 O-RING NEOPRENE	BLACK	1	3
			3 POS. SOCKET HOUSING	PA 6.6 GFV13	1	3
			SEAL 2 O-RING NEOPRENE	BLACK	1	3
			3 POS. SOCKET HOUSING	PA 6.6 GFV13	1	3
			SEAL 3 O-RING NEOPRENE	BLACK	1	3
			3 POS. SOCKET HOUSING	PA 6.6 GFV13	1	3
			SEAL 2 O-RING NEOPRENE	BLACK	1	3
			3 POS. SOCKET HOUSING	PA 6.6 GFV13	1	3
			SEAL 3 O-RING NEOPRENE	BLACK	1	3
			3 POS. SOCKET HOUSING	PA 6.6 GFV13	1	3
			SEAL 2 O-RING NEOPRENE	BLACK	1	3
			3 POS. SOCKET HOUSING	PA 6.6 GFV13	1	3
			SEAL 3 O-RING NEOPRENE	BLACK	1	3
			3 POS. SOCKET HOUSING	PA 6.6 GFV13	1	3
			SEAL 2 O-RING NEOPRENE	BLACK	1	3
			3 POS. SOCKET HOUSING	PA 6.6 GFV13	1	3
			SEAL 3 O-RING NEOPRENE	BLACK	1	3
			3 POS. SOCKET HOUSING	PA 6.6 GFV13	1	3
			SEAL 2 O-RING NEOPRENE	BLACK	1	3
			3 POS. SOCKET HOUSING	PA 6.6 GFV13	1	3
			SEAL 3 O-RING NEOPRENE	BLACK	1	3
			3 POS. SOCKET HOUSING	PA 6.6 GFV13	1	3
			SEAL 2 O-RING NEOPRENE	BLACK	1	3
			3 POS. SOCKET HOUSING	PA 6.6 GFV13	1	3
			SEAL 3 O-RING NEOPRENE	BLACK	1	3
			3 POS. SOCKET HOUSING	PA 6.6 GFV13	1	3
			SEAL 2 O-RING NEOPRENE	BLACK	1	3
			3 POS. SOCKET HOUSING	PA 6.6 GFV13	1	3
			SEAL 3 O-RING NEOPRENE	BLACK	1	3
			3 POS. SOCKET HOUSING	PA 6.6 GFV13	1	3
			SEAL 2 O-RING NEOPRENE	BLACK	1	3
			3 POS. SOCKET HOUSING	PA 6.6 GFV13	1	3
			SEAL 3 O-RING NEOPRENE	BLACK	1	3
			3 POS. SOCKET HOUSING	PA 6.6 GFV13	1	3
			SEAL 2 O-RING NEOPRENE	BLACK	1	3
			3 POS. SOCKET HOUSING	PA 6.6 GFV13	1	3
			SEAL 3 O-RING NEOPRENE	BLACK	1	3
			3 POS. SOCKET HOUSING	PA 6.6 GFV13	1	3
			SEAL 2 O-RING NEOPRENE	BLACK	1	3
			3 POS. SOCKET HOUSING	PA 6.6 GFV13	1	3
			SEAL 3 O-RING NEOPRENE	BLACK	1	3
			3 POS. SOCKET HOUSING	PA 6.6 GFV13	1	3
			SEAL 2 O-RING NEOPRENE	BLACK	1	3
			3 POS. SOCKET HOUSING	PA 6.6 GFV13	1	3
			SEAL 3 O-RING NEOPRENE	BLACK	1	3
			3 POS. SOCKET HOUSING	PA 6.6 GFV13	1	3
			SEAL 2 O-RING NEOPRENE	BLACK	1	3
			3 POS. SOCKET HOUSING	PA 6.6 GFV13	1	3
			SEAL 3 O-RING NEOPRENE	BLACK	1	3
			3 POS. SOCKET HOUSING	PA 6.6 GFV13	1	3
			SEAL 2 O-RING NEOPRENE	BLACK	1	3
			3 POS. SOCKET HOUSING	PA 6.6 GFV13	1	3
			SEAL 3 O-RING NEOPRENE	BLACK	1	3
			3 POS. SOCKET HOUSING	PA 6.6 GFV13	1	3
			SEAL 2 O-RING NEOPRENE	BLACK	1	3
			3 POS. SOCKET HOUSING	PA 6.6 GFV13	1	3
			SEAL 3 O-RING NEOPRENE	BLACK	1	3
			3 POS. SOCKET HOUSING	PA 6.6 GFV13	1	3
			SEAL 2 O-RING NEOPRENE	BLACK	1	3
			3 POS. SOCKET HOUSING	PA 6.6 GFV13	1	3
			SEAL 3 O-RING NEOPRENE	BLACK	1	3
			3 POS. SOCKET HOUSING	PA 6.6 GFV13	1	3
			SEAL 2 O-RING NEOPRENE	BLACK	1	3
			3 POS. SOCKET HOUSING	PA 6.6 GFV13	1	3
			SEAL 3 O-RING NEOPRENE	BLACK	1	3
			3 POS. SOCKET HOUSING	PA 6.6 GFV13	1	3
			SEAL 2 O-RING NEOPRENE	BLACK	1	3
			3 POS. SOCKET HOUSING	PA 6.6 GFV13	1	3
			SEAL 3 O-RING NEOPRENE	BLACK	1	3
			3 POS. SOCKET HOUSING	PA 6.6 GFV13	1	3
			SEAL 2 O-RING NEOPRENE	BLACK	1	3
			3 POS. SOCKET HOUSING	PA 6.6 GFV13	1	3
			SEAL 3 O-RING NEOPRENE	BLACK	1	3
			3 POS. SOCKET HOUSING	PA 6.6 GFV13	1	3
			SEAL 2 O-RING NEOPRENE	BLACK	1	3
			3 POS. SOCKET HOUSING	PA 6.6 GFV13	1	3
			SEAL 3 O-RING NEOPRENE	BLACK	1	3
			3 POS. SOCKET HOUSING	PA 6.6 GFV13	1	3
			SEAL 2 O-RING NEOPRENE	BLACK	1	3
			3 POS. SOCKET HOUSING	PA 6.6 GFV13	1	3
			SEAL 3 O-RING NEOPRENE	BLACK	1	3
			3 POS. SOCKET HOUSING	PA 6.6 GFV13	1	3
			SEAL 2 O-RING NEOPRENE	BLACK	1	3
			3 POS. SOCKET HOUSING	PA 6.6 GFV13	1	3
			SEAL 3 O-RING NEOPRENE	BLACK	1	3
			3 POS. SOCKET HOUSING	PA 6.6 GFV13	1	3
			SEAL 2 O-RING NEOPRENE	BLACK	1	3
			3 POS. SOCKET HOUSING	PA 6.6 GFV13	1	3
			SEAL 3 O-RING NEOPRENE	BLACK	1	3
			3 POS. SOCKET HOUSING	PA 6.6 GFV13	1	3
			SEAL 2 O-RING NEOPRENE	BLACK	1	3
			3 POS. SOCKET HOUSING	PA 6.6 GFV13	1	3
			SEAL 3 O-RING NEOPRENE	BLACK	1	3
			3 POS. SOCKET HOUSING	PA 6.6 GFV13	1	3
			SEAL 2 O-RING NEOPRENE	BLACK	1	3
			3 POS. SOCKET HOUSING	PA 6.6 GFV13	1	3
			SEAL 3 O-RING NEOPRENE	BLACK	1	3
			3 POS. SOCKET HOUSING	PA 6.6 GFV13	1	3
			SEAL 2 O-RING NEOPRENE	BLACK	1	3
			3 POS. SOCKET HOUSING	PA 6.6 GFV13	1	3
			SEAL 3 O-RING NEOPRENE	BLACK	1	3
			3 POS. SOCKET HOUSING	PA 6.6 GFV13	1	3
			SEAL 2 O-RING NEOPRENE	BLACK	1	3
			3 POS. SOCKET HOUSING	PA 6.6 GFV13	1	3
			SEAL 3 O-RING NEOPRENE	BLACK	1	3
			3 POS. SOCKET HOUSING	PA 6.6 GFV13	1	3
			SEAL 2 O-RING NEOPRENE	BLACK	1	3
			3 POS. SOCKET HOUSING	PA 6.6 GFV13	1	3
			SEAL 3 O-RING NEOPRENE	BLACK	1	3
			3 POS. SOCKET HOUSING	PA 6.6 GFV13	1	3
			SEAL 2 O-RING NEOPRENE	BLACK	1	3
			3 POS. SOCKET HOUSING	PA 6.6 GFV13	1	3
			SEAL 3 O-RING NEOPRENE	BLACK	1	3
			3 POS. SOCKET HOUSING	PA 6.6 GFV13	1	3
			SEAL 2 O-RING NEOPRENE	BLACK	1	3
			3 POS. SOCKET HOUSING	PA 6.6 GFV13	1	3
			SEAL 3 O-RING NEOPRENE	BLACK	1	3
			3 POS. SOCKET HOUSING	PA 6.6 GFV13	1	3
			SEAL 2 O-RING NEOPRENE			