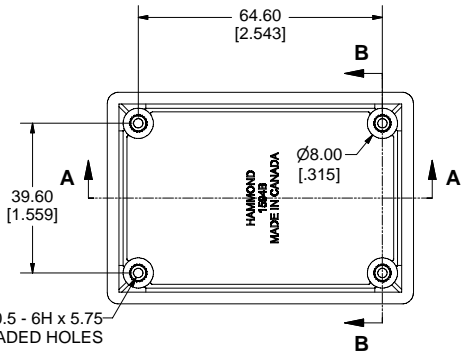
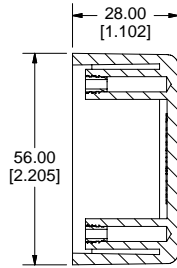


DRAFT ANGLE OF APPROXIMATELY 1°

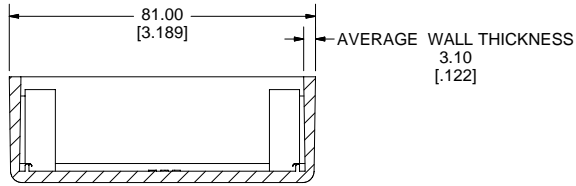
SIDE VIEW OF BOX



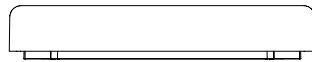
TOP VIEW OF BOX



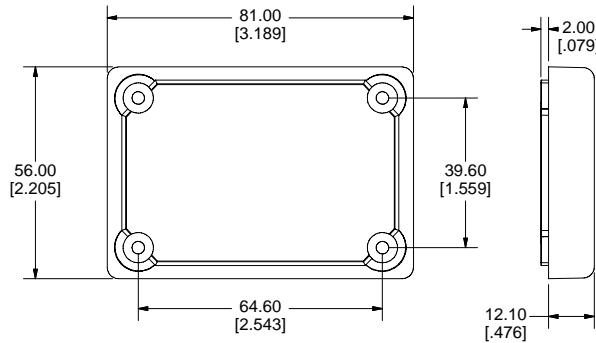
SECTION B-B
SCALE 1 : 1



SECTION A-A
SCALE 1 : 1

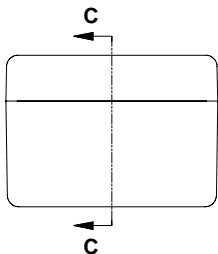


SIDE VIEW OF LID

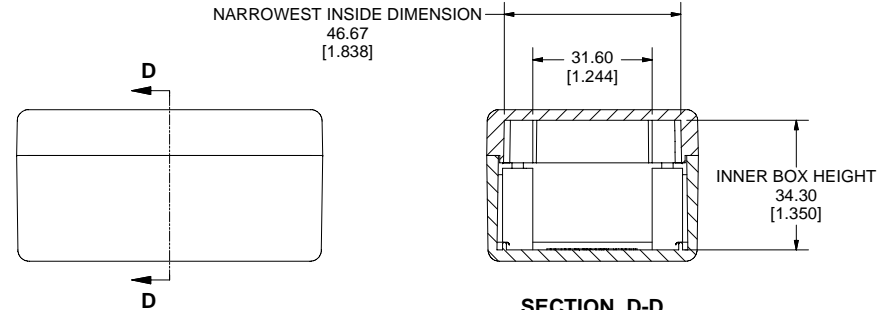
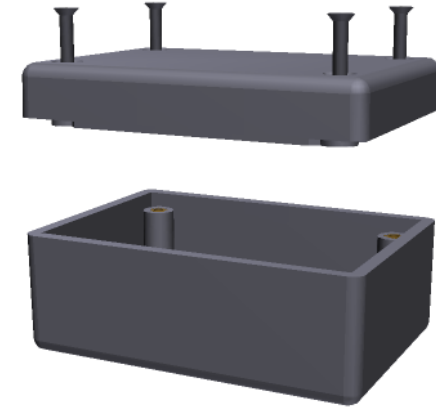


BOTTOM OF LID

SIDE VIEW OF LID



SECTION C-C
SCALE 1 : 1



SECTION D-D
SCALE 1 : 1

1594B Enclosure	
FLAME RETARDANT ABS	
Black - RAL 9011	1594BBK
Grey - RAL 7018	1594BGY
NON-FLAME RETARDANT ABS	
Grey - RAL 7035	1594BSGY
Black - RAL 9011	1594BSBK
LIQUID RESISTANT	
Black - RAL 9011	1594WBK
ACCESSORIES	
Cover Screws Non-Flame Retardant (pkg. 100) [#4 x 1" Self-Tapping]	1594TS100
Cover Screws Flame Retardant (pkg. 100) [M3 - 0.5 x 20mm]	1594MS100
Cover Screws Liquid Resistant (pkg. 100) [M3 - 0.5 x 20mm]	1594WMS100
Circuit Board Holders	(See 1594Z Series)

Enclosures can be Factory Modified (Milling, Drilling, Printing etc.)
Solid models of this enclosure available in STEP or IGES.
Contact Factory mjm@hammondmg.com

**HAMMOND
MANUFACTURING™**

1594B

www.hammondmg.com