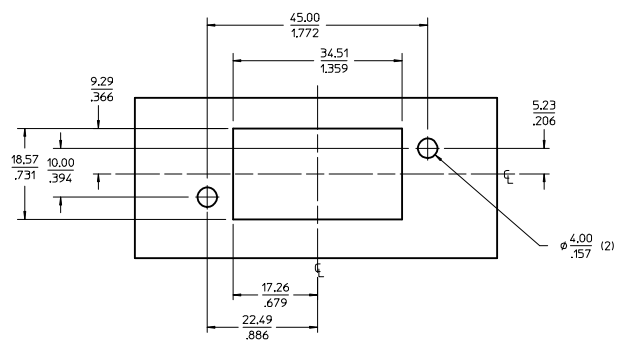
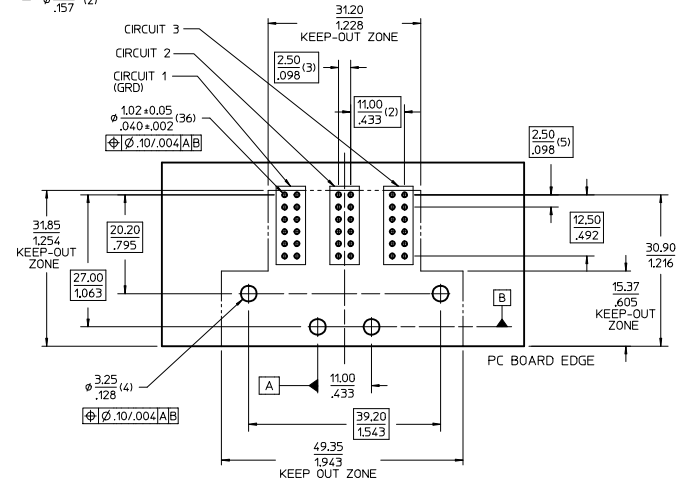
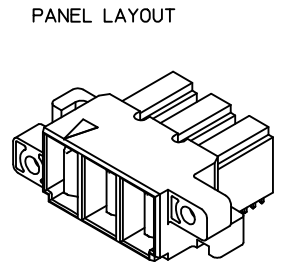
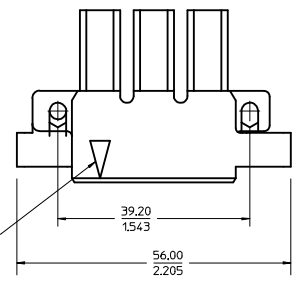


PART NUMBER	DIM "A" PC TAIL	PC BOARD THICKNESS	DESCRIPTION
46817-1000	3.86+0.30 .152+.012	2.36/0.093	SHORT TAILS
46817-1001	4.69+0.30 .185+.012	3.18/0.125 3.60/0.142	LONG TAILS

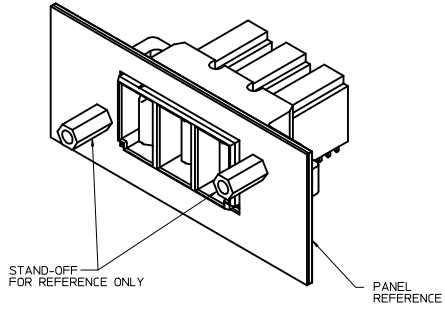
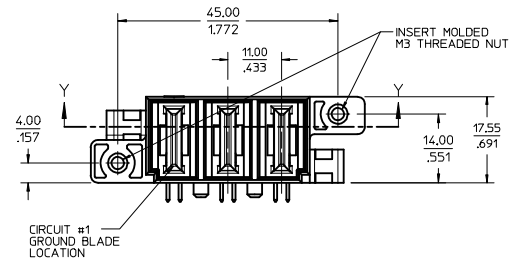
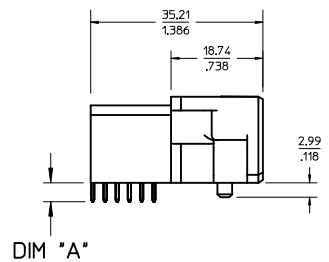


- NOTES:
1. MATERIAL: HOUSING: 30% GF POLYESTER - 94V-0 89992-0030
TERMINALS: COPPER ALLOY
 2. PLATING: TERMINALS: 30 μ IN GOLD IN THE CONTACT AREA,
100 μ IN TIN IN THE PC TAIL AREA OVER
50 μ IN NICKEL OVERALL
 3. PRODUCT SPECIFICATION: PS-46819-001
 4. PARTS ARE TRAY PACKED PER PACKAGING SPECIFICATION: PK-46817-001
 5. MATING HARNESS SERIES 111119
 6. PC BOARD HOLES ARE FOR SOLDER TAIL TYPE TERMINALS
 7. PC BOARD HOLES TO BE PLATED THRU HOLES

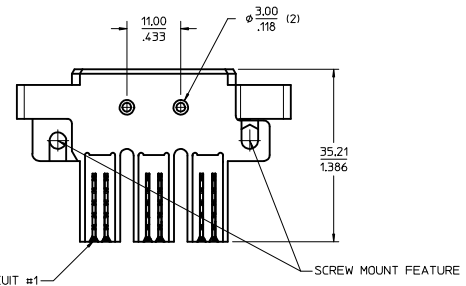
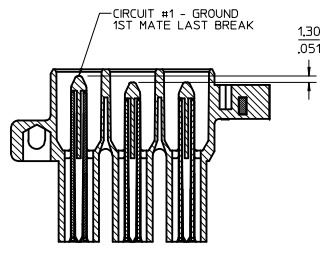
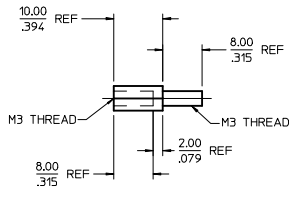


PART SUPPLIED AS SHOWN

RECOMMENDED PCB LAYOUT (CONNECTOR SIDE)



RECOMMENDED M3 STAND-OFF FOR REFERENCE ONLY MAY BE PURCHASED FROM HARDWARE VENDOR



SECTION Y-Y

DWG ERROR/CORR DIM "A" E.C. NO.: UCP2013-5090 DRAWN: OUILLES 2013/06/11 CHECKED: APATEL 2013/06/11 APPROVED: APPR:APATEL 2013/06/11 REVISIONS:	QUALITY SYMBOLS	GENERAL TOLERANCES (UNLESS SPECIFIED)	DIMENSION STYLE	SCALE	DESIGN UNITS	THIRD ANGLE PROJECTION	
	$\nabla=0$ $\nabla=0$ $\nabla=0$	4 PLACES ± .010 3 PLACES ± .020 2 PLACES ± 0.25 1 PLACE ± 0.51 ANGULAR ± 1/2°	MM/IN 2:1 METRIC	DRAWN BY: MDATA CHECKED BY: APATEL APPROVED BY: APATEL	DATE: 2009/01/22 DATE: 2009/01/23 DATE: 2011/12/20	TITLE: GUARDIAN PLUG ASSEMBLY 3 CKT	
	DRAFT WHERE APPLICABLE MUST REMAIN WITHIN DIMENSIONS	MATERIAL NO.: SEE CHART DOCUMENT NO.: SD-46817-100	MOLEX INCORPORATED	SHEET NO.: 1 OF 1	THIS DRAWING CONTAINS INFORMATION THAT IS PROPRIETARY TO MOLEX INCORPORATED AND SHOULD NOT BE USED WITHOUT WRITTEN PERMISSION		