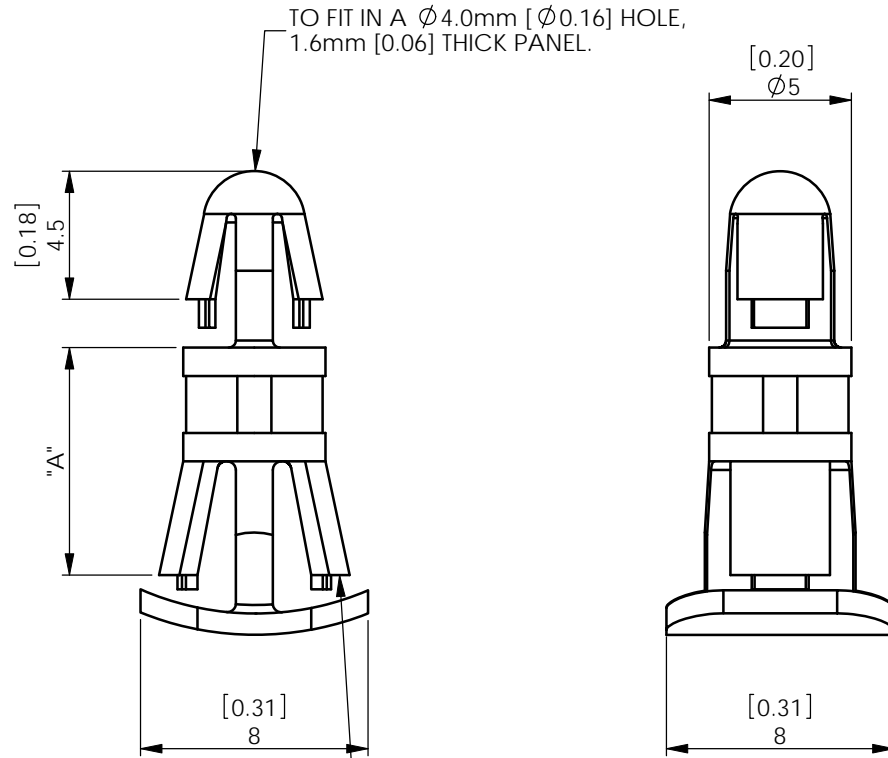
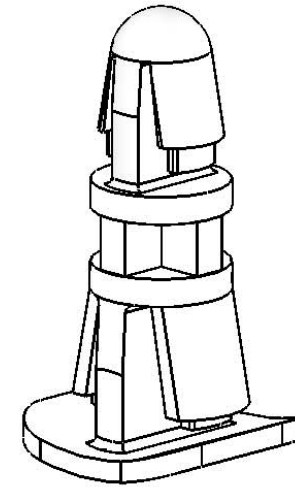


REV.	MODIFICATION.	DATE	DRN
A 01	Preliminary Drawing Production Release	09/09/08 15/09/08	MT MT



TO FIT IN A  $\phi$ 4.0mm [ $\phi$ 0.16] HOLE,  
1.6mm [0.06] THICK PANEL.

TO FIT IN A  $\phi$ 5.5mm [ $\phi$ 0.22] HOLE,  
0.5mm [0.02]-1.0mm [0.04] THICK PANEL.



MATL: NYLON 6/6 RMS-01* COLOUR: NATURAL	"A" STANDOFF HEIGHT
RLCBSA-5-01	5 [0.20]
RLCBSA-6-01	6 [0.24]
RLCBSA-8-01	8 [0.31]
RLCBSA-10-01	10 [0.39]
RLCBSA-12-01	12 [0.47]
RLCBSA-14-01	14 [0.55]
*AVAILABLE IN UL94 V0 BY SPECIAL ORDER. TO ORDER REPLACE -01 WITH -19.	

INFORMATION CONTAINED IN THIS DOCUMENT IS CONFIDENTIAL TO RICHCO INTERNATIONAL Co. Ltd. AND MAY NOT BE DISCLOSED OR REPRODUCED IN WHOLE OR PART WITHOUT THEIR WRITTEN CONSENT.

METRIC PRIMARY UNITS:mm  
IMPERIAL SECONDARY UNITS:[inches]  
GENERAL TOLERANCES  $\pm$ 0.25 [0.010]  
UNLESS OTHERWISE STATED  
1 DECIMAL PLACE  $\pm$   
2 DECIMAL PLACES  $\pm$   
ANGULAR  $\pm$ 1°

THIRD ANGLE

MATERIAL: <b>NYLON 6/6 (RMS-01)</b>		COLOUR: <b>NATURAL</b>	
DESCRIPTION: REVERSE LOCKING CIRCUIT BOARD SUPPORT		PART No: <b>SEE TABLE</b>	
DRG No: <b>08-089</b>	NPR No: <b>GB08-0058</b>	Mass:(g) <b>0.2-0.4</b>	SHEET SIZE <b>A4</b>
DRN <b>MT</b>	DATE <b>09/09/08</b>	CHKD <b>JK</b>	DATE <b>15/09/08</b>
SCALE <b>NTS</b>		SHEET No. <b>1 OF 1</b>	

FORM No. 0145/02