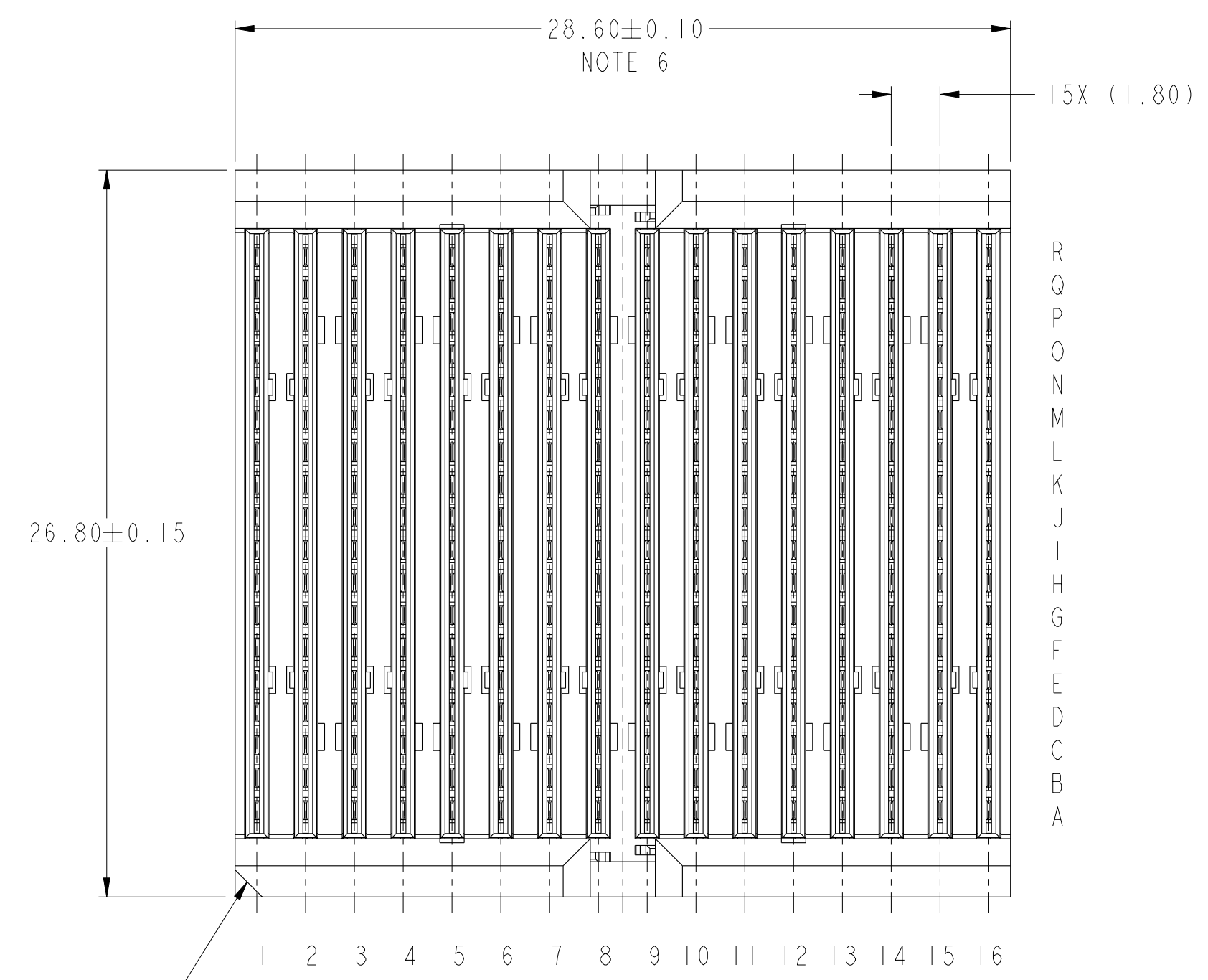
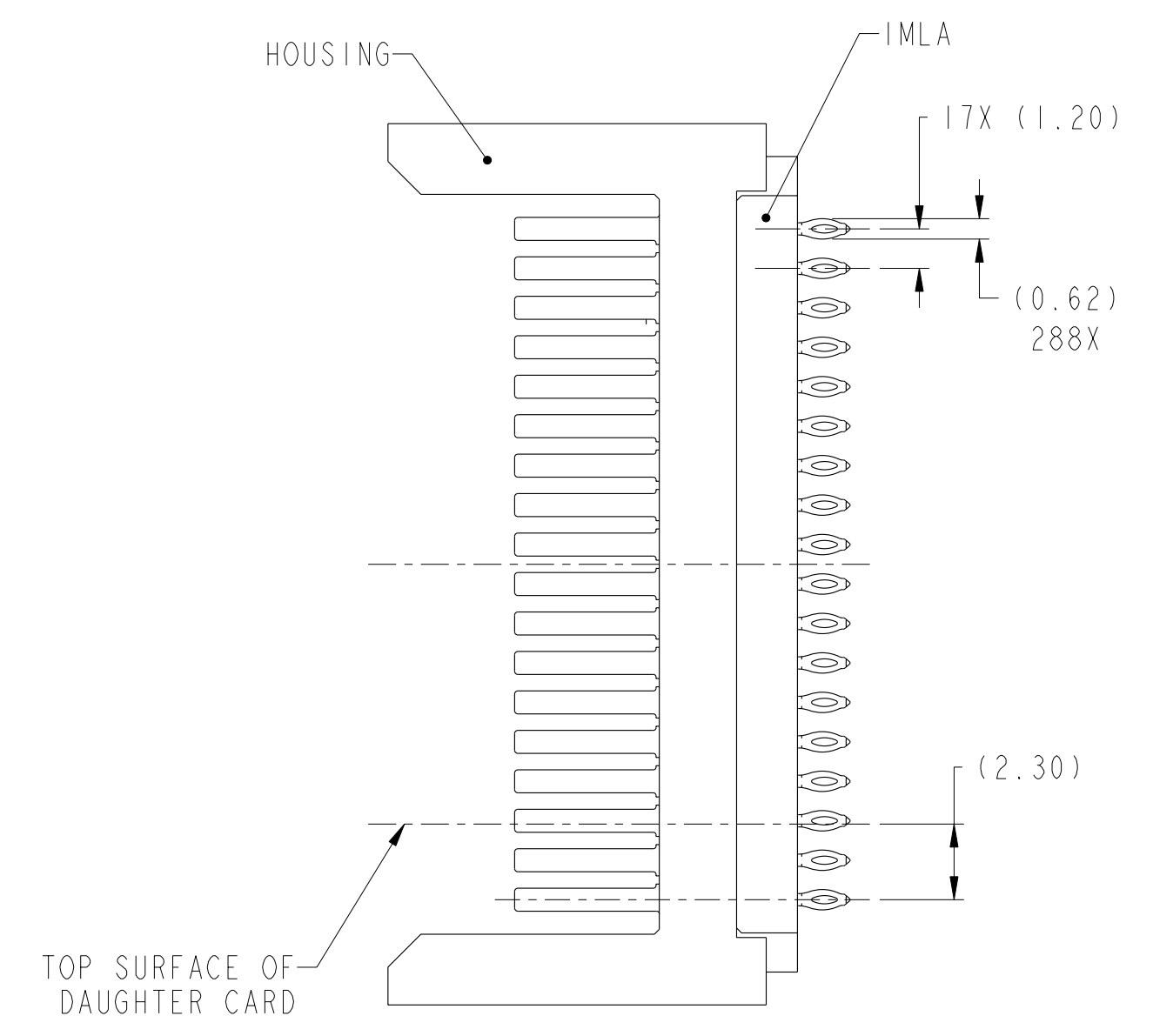
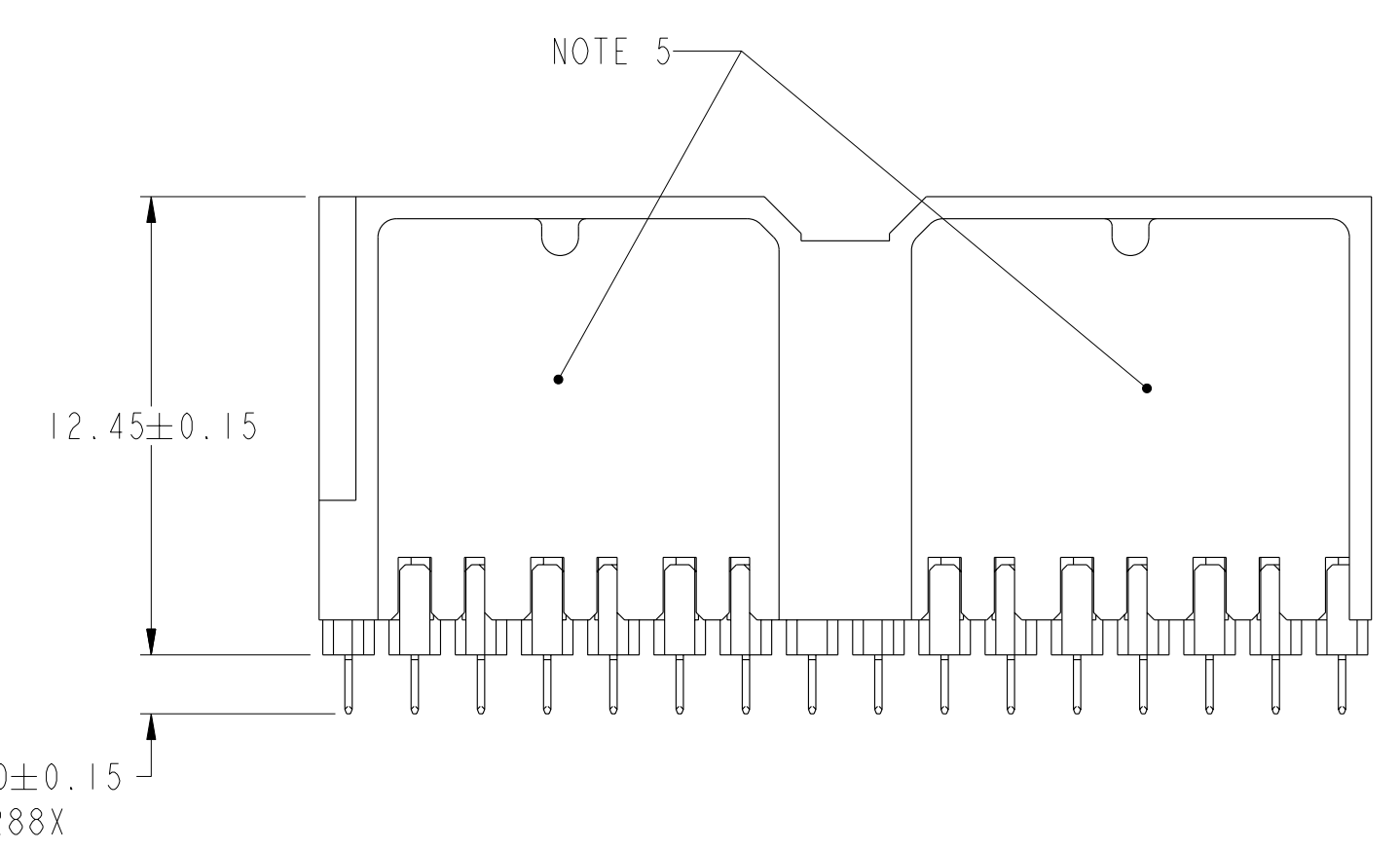


Product number
SEE TABLE, SHT 3



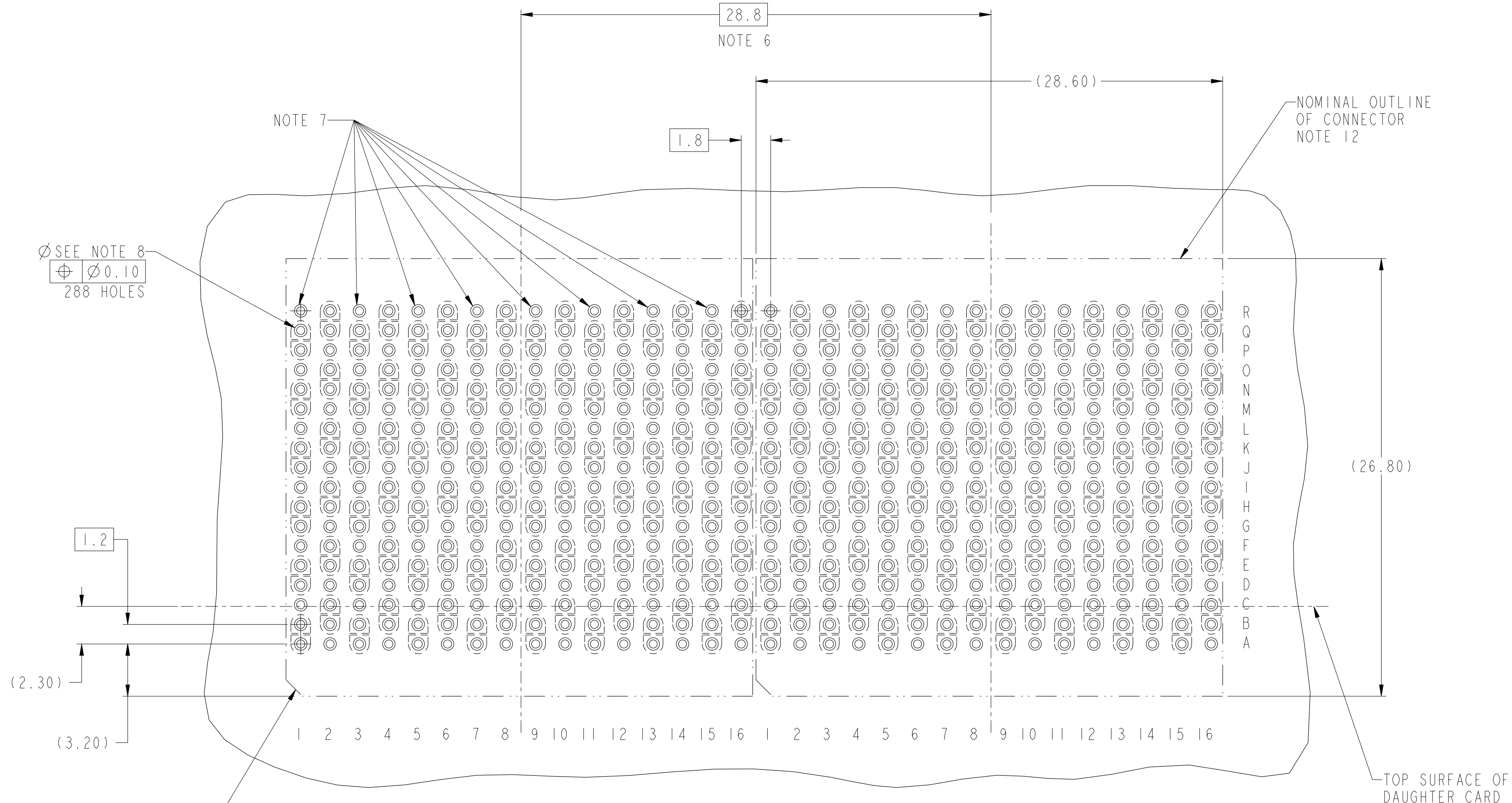
POS A1 INDICATOR
NOTE 12



Copyright FCI.
FCI

rev	ecn no	dr	date
A	S09-0291	YK	2009-09-11
-	-	-	-
-	-	-	-
-	-	-	-
-	-	-	-
-	-	-	-

www.fciconnect.com		surface ASME Y14.5	tolerance std ASME Y14.5	projection	MM
		TOLERANCES UNLESS OTHERWISE SPECIFIED			
Dr	G. HULL	2007-03-02	ANGULAR	0.X	±0.3
Eng	Y. K. LIM	2009-09-11	LINEAR	0.XX	±0.10
Chr	Y. K. LIM	2009-09-11	0° ±2°	0.XXX	±0.050
Appr	JOEY NG	2009-09-11	Product family		ZipLine
		Spec ref		ECN	S09-0291
		Title		diag no	Rev.
		ZipLine VERT HEADER ASSY		10084186	A
		6 PR, 16 IMLA, 1.8mm PITCH, 28.8mm		CUSTOMER	sheet 1 of 3
		catalog no			



RECOMMENDED PCB LAYOUT
FOR DIFFERENTIAL APPLICATIONS,
COMPONENT SIDE
(TWO ADJACENT FOOTPRINTS SHOWN)
NOTE 8

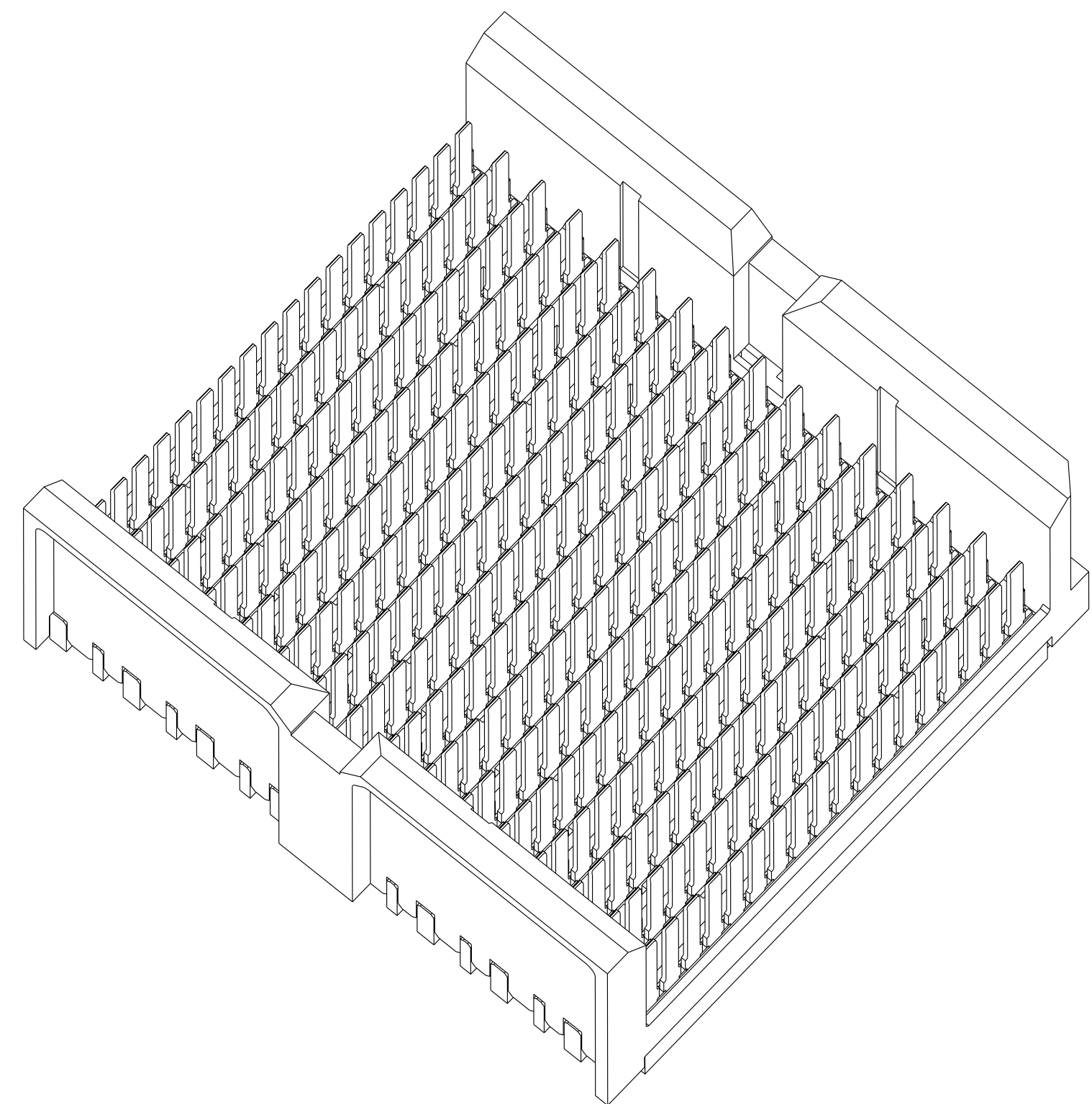
Copyright FCJ

	title ZipLine VERT HEADER ASSY 6 PR, 16 IMLA, 1.8mm PITCH, 28.8mm	dwg no 10084186	Rev. A
	catalog no -	CUSTOMER	sheet 2 of 3

PART NUMBER	PRESS-FIT TAIL PLATING TYPE
10084186-101	TIN LEAD ALLOY OVER NICKEL
10084186-101LF	TIN OVER NICKEL (LEAD FREE)

NOTES:

1. CONNECTOR MATERIALS:
HOUSING: HIGH TEMP THERMOPLASTIC, BLACK, UL94V-0
IMLA PLASTIC: HIGH TEMP THERMOPLASTIC, BLACK, UL94V-0
CONTACT: COPPER ALLOY
2. CONTACT PLATING:
SEPARABLE INTERFACE: PERFORMANCE-BASED PLATING, QUALIFIED TO MEET THE REQUIREMENTS OF FCI PRODUCT SPECIFICATION GS-12-452 INCLUDING TELCORDIA GR-1217-CORE (NOVEMBER 1995) CENTRAL OFFICE TEST SEQUENCE
PRESS-FIT TAILS: SEE TABLE
3. PRODUCT SPECIFICATION: GS-12-452.
4. APPLICATION SPECIFICATION: GS-20-094.
5. PRODUCT MARKING, (PART NUMBER & LOT CODE), ON THESE SURFACES.
6. THE MINIMUM CENTERLINE SPACING BETWEEN ADJACENT MODULES IS 28.8mm.
7. THERE IS NO GROUND BUSSING WITHIN THE HEADER CONNECTOR. HOWEVER, POSITIONS R1, R3, R5, R7, R9, R11, R13 & R15 OF THE MATING RECEPTACLE ARE BUSSED. THESE MUST BE ASSIGNED AS GROUNDS.
8. REFER TO CUSTOMER DRAWING 10045979 FOR INFORMATION ON PCB HOLE DIAMETERS AND PLATING OPTIONS.
9. THIS PRODUCT MEETS EUROPEAN UNION DIRECTIVES AND OTHER COUNTRY REGULATIONS AS DESCRIBED IN GS-22-008.
10. THE HOUSING WILL WITHSTAND EXPOSURE TO 260°C PEAK TEMPERATURE FOR 40 SECONDS IN A CONVECTION, INFRA-RED OR VAPOR PHASE REFLOW OVEN.
11. PACKAGING MEETS GS-14-920 LEAD FREE LABELING SPECIFICATION.
12. CONNECTOR OUTLINE WITH HOUSING POS A1 INDICATOR MAY BE SCREEN PRINTED ONTO CUSTOMER PCB TO BE USED AS A GUIDE FOR MANUAL CONNECTOR PLACEMENT.



10084186-101

FCJ	title	ZipLine VERT HEADER ASSY	dwg no	10084186	Rev.	A
	catalog no	6 PR, 16 IMLA, 1.8mm PITCH, 28.8mm	CUSTOMER	sheet 3 of 3		