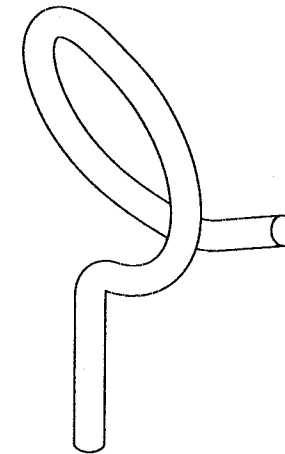
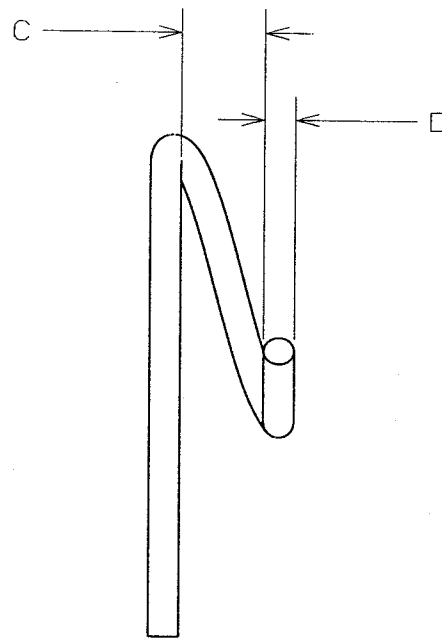
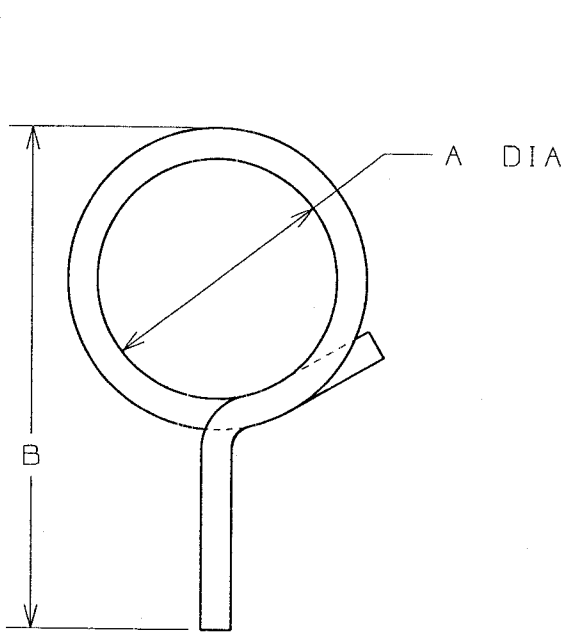


THIS COPY IS PROVIDED ON A RESTRICTED BASIS AND IS NOT TO BE USED IN ANY WAY DETRIMENTAL TO THE INTERESTS OF PANDUIT CORP.

PANDUIT PART NO.	DIMENSIONS				WEIGHT lbs/100pcs (kg)/100pcs
	A (REF)	B (REF)	C	D	
BR-.50	0.5 [ 13 ]	1.8 [ 45 ]	0.15 [ 4 ] MINIMUM	.161 [ 4.08 ] .157 [ 4.00 ]	1.9 (0.87)
BR-.75	.75 [ 19 ]	2.0 [ 52 ]	0.15 [ 4 ] MINIMUM	.161 [ 4.08 ] .157 [ 4.00 ]	2.4 (1.1)
BR-1.25	1.25 [ 32 ]	2.5 [ 64 ]	0.33 [ 8 ] MINIMUM	.161 [ 4.08 ] .157 [ 4.00 ]	3.3 (1.5)
BR-2.0	2.0 [ 51 ]	3.3 [ 83 ]	0.33 [ 8 ] MINIMUM	.161 [ 4.08 ] .157 [ 4.00 ]	5.1 (2.3)



ISOMETRIC VIEW

NOTES:

1. SEE CURRENT PRICE SHEET FOR PART NUMBER SUFFIX DESIGNATION FOR PACKAGE SIZE.
2. FOR USE WITH PANDUIT PART #BR-MPCL.

DIMENSIONS IN BRACKETS ARE METRIC [ mm ]	
CAD FILENAME/LAYERS G03668CM_DC_GB3668CM/O1B	
<b>PANDUIT</b> CORP. TINLEY PARK, ILLINOIS	
BR- BRIDLE RING	
UNLESS OTHERWISE SPECIFIED, DIMENSIONAL TOLERANCES ARE: (.X) ±0.05 [ 1.3 ] (.XXX) ±0.010 [ 0.25 ] (.XX) ±0.02 [ 0.5 ] ANGLES ±5°	UNLESS OTHERWISE SPECIFIED, ALL DIMENSIONS ARE GIVEN IN INCHES, THIRD ANGLE PROJECTION.
DRAWN BY ARHA	MAT'L: LOW CARBON STEEL WITH BRIGHT ZINC ELECTROPLATE
DATE 09-15-09	SCALE NONE
CHK'D KCN	DRAWING NO. GB3668CM
	DWG A

REV	DATE	BY	CHK	DESCRIPTION	ECN	R	CUST	SUP
O1B	09/25/09	ARHA	DK	CORRECTED PART NUMBER FOR BR-.50	GB3668CM	O1B		KCN
O1A	09/15/09	ARHA		INITIAL RELEASE	GB3668CM	O1A		