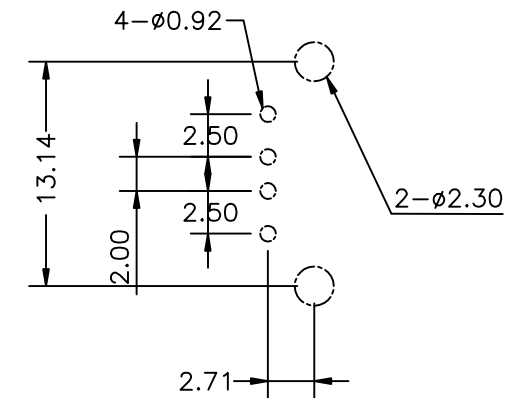
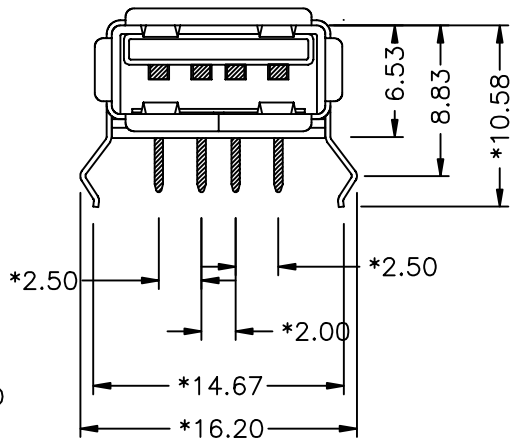
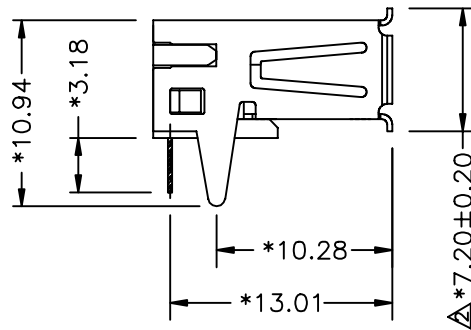
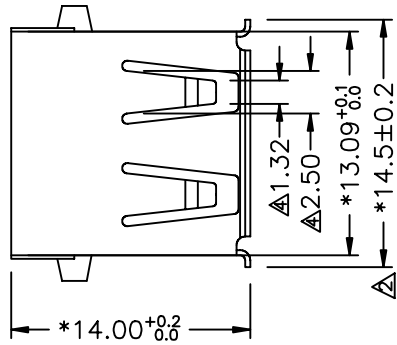


A1RFRD10

REVISION RECORD				
REV	ECO	DESCRIPTION	DRFT	CHKD
△		ADD P/N	HAOJIN 7/11/05	
△		MODIFY DIM	ANKUE 12/29/05	
△		ADD P/N	Lain 12/31/05	
△		MODIFY DRAWING	SKYCHEN 08/29/05	



USB-PCB LAYOUT

NOTES:

- MATERIAL:
 TERMINAL-C5191 PHOSPHOR BRONZE HARD. (t=0.25mm)
 SHIELD-COPPER ALLOY(t=0.30mm)
 △ HOUSING-PBT+GF30% OR NYLON+GF25% UL94V-0.
 △ COLOR-WHITE & BLACK & BLUE.
- PLATING:
 CONTACT-AREA-SELECTIVE PLATING. ON THE MATING END.
 TAILS-PLATED TIN OVER NICKEL.
 SHIELD-PLATED TIN OVER NICKEL
 OR PLATED NICKEL OVER Cu.
- TOLERANCE: ±0.3mm.±3*.
- GAP. 0.25mm (Max.)
- ELECTRICAL:
 VOLTAGE RATING: 30 VAC RMS.
 CURRENT RATING: 1.0 AMP
 CONTACT RESISTANCE: 30 MILLIOHMS MAX
 INSULATION RESISTANCE: 1000 MEGOHMS MIN @500 VDC
 DIELECTRIC STRENGTH: 750 VAC RMS 60 HZ, 1 MIN
 OPERATING LIFE: 1500 CYCLES MIN
 MATING FORCE: 3.5 KGS MAX
 UNMATING FORE: 1 KGS MIN
 STORAGE: -40°C TO +85°C
 △ OPERATION: -40°C TO +85°C
 CAPACITANCE: 2 PF MAX 1KHZ
 △ WAVE SOLDERING TEMPERATURE: 230°C TO 250°C 3-5 SECONDS.

6.ROHS PART NUMBER: E8144-AXXX2X-L

- 0-C2680H
- 1-C5191H
- 1-NICKEL
- 2-TIN
- 0-PBT+30%G.F (BLACK)
- 3-PBT+15%G.F (WHITE)
- △ A-PBT+30%G.F (BLUE)
- △ 9-NYLON+25%G.F (WHITE)
- 1-Au3u" 2-Au6u"
- 3-Au15u" 4-Au30u"
- 5-Au50u" 7-Pd30u"

DETACHED LISTS	MM (INCH)	DFTO Jerry	DATE 5/10/99
	TOLERANCES EXCEPT AS NOTED	CHKDANKUE	DATE 2006/9/5
		MFO	DATE
	MM	APPVL-LUSHENG	DATE 2006/9/5
	.0 ± 0.2 .00 ± 0.15 .000 ± 0.075		
ANGLES ± 0.5	QT*Y :		
	FINISH :		
THIRD ANGLE PROJECTION	SCALE : 3:1		

	RoHS Compliant
FULL RISE ELECTRONIC CO., LTD	
TITLE USB SERIES A, 4-POSITION DIP TYPE	
DRAWING NO. GE813A01-LC	SIZE A3
/PART NO. SEE NOTE	REV 4
DO NOT SCALE DRAWING	SHEET 1 OF 1