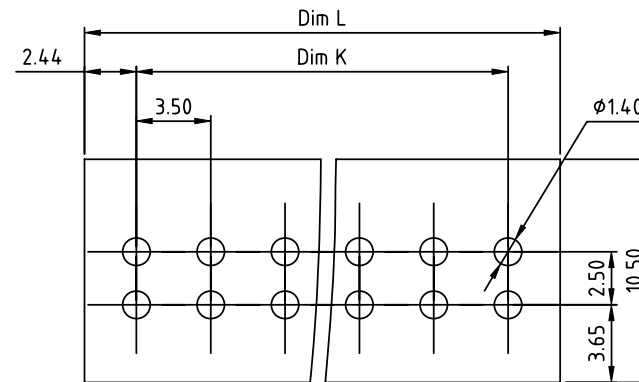
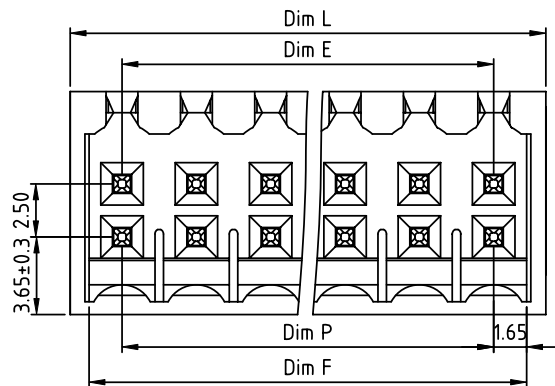
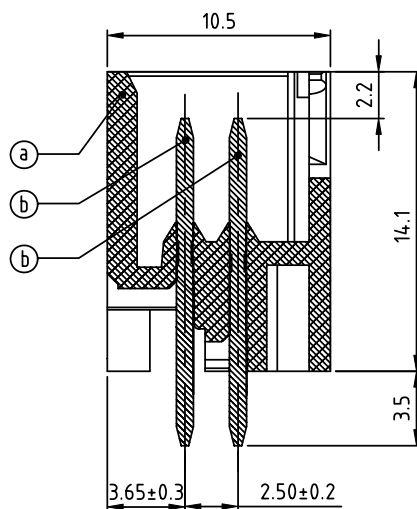
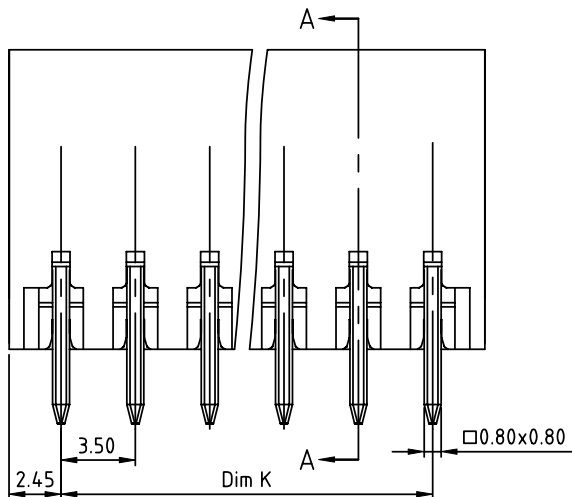


PRODUCT NUMBER	PITCH
VXxx11x000J0G	3.50 mm



RECOMMENDED P.C.B LAYOUT  
TOP VIEW



SECTION A-A

Material:

- Item (a) Terminal housing: Thermoplastic (UL94V-0)
- Item (b) Pin: Brass, Tin plated

Electrical:

- Voltage rating: 150V
- Current rating: 7A
- Withstanding Voltage: 1.3KV
- Operating temperature: -40°C to +115°C
- Soldering temperature: 260°C±5°C/5 Sec
- Safety Approval:

Dim L=(N/2-1)×3.5+4.9
Dim P=(N/2-1)×3.5
Dim K=(N/2-1)×3.5
Dim E=(N/2-1)×3.5
Dim F=(N/2-1)×3.5+3.3

N=Number of poles

Poles	Dim L	Dim P	Dim K	Dim E	Dim F
2x2p-2x6p	±0.15	±0.10	±0.10	±0.10	±0.15
2x7p-2x12p	±0.25	±0.20	±0.20	±0.20	±0.25
2x13p-2x18p	±0.35	±0.30	±0.30	±0.30	±0.35
2x19p-2x24p	±0.40	±0.35	±0.35	±0.35	±0.40

PART NO.: VX xx 11 x 0 00J0 G

Solid block	0	Black (RAL9005)	RoHS compliant (lead<4%) In copper Alloy
No. of poles	2	Red (RAL3001/D)	
04 2x2 poles	3	Orange(RAL2011/P)	
06 2x3 poles	4	Yellow(RAL1018/A)	
...	...	5 Green(RAL6018/T)	
48 2x24 poles	6	Blue (RAL5015/A)	
		8 Grey(RAL7035/D)	
		9 White(RAL1102)	
		C Green(RAL6018/U)	

mat'l. code		surface ASME Y14.5	tolerance ASME Y14.5	projection 	product family TERMINAL BLOCK
ltr	ecn no	dr	date	tolerances unless otherwise specified	title TERMINAL BLOCK
				angles $\frac{\phi}{\phi}$	PLUGGABLE SOCKET, VERTICAL, CLOSE TYPE
				X*±1"	scale MM
				dr	sheet 1 of 1 size
				ENGR	EVIN ZHONG 050714
				chr	HANKE FENG 050714
				appd	SHI JUN 050714
sheet index	revision sheet	A	1		FCI type CUSTOMER Drawing