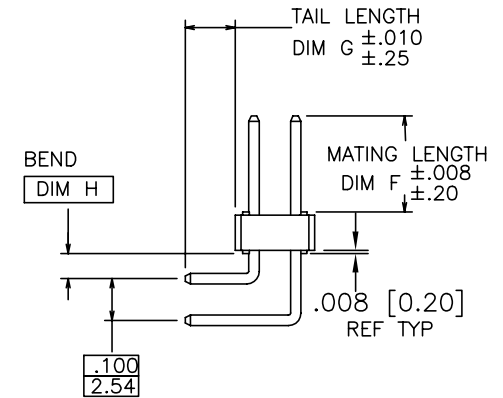
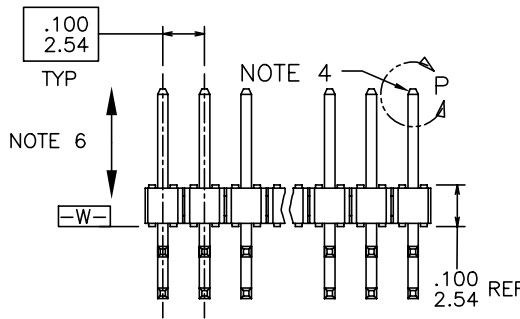
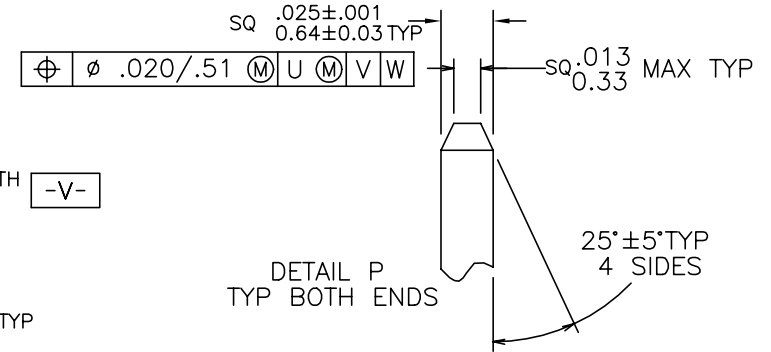
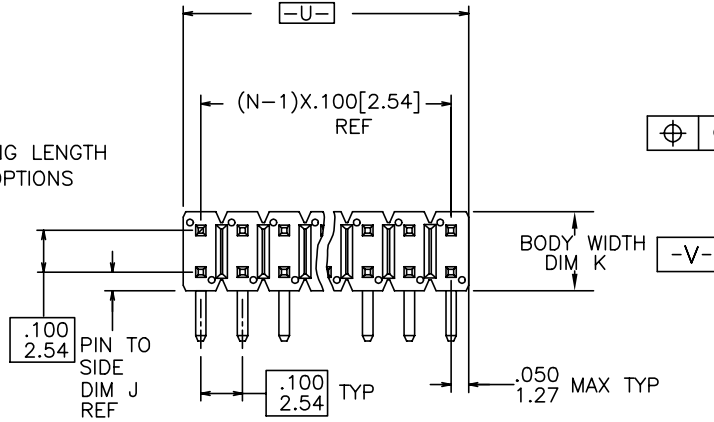


PRODUCT NUMBER

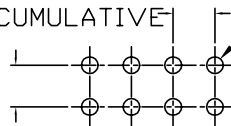
10129382 - X YY XXX X LF

- LEAD FREE OPTION (SEE NOTES 7)
- PACKAGING OPTIONS (SEE NOTE 3)
- INDICATES DIFFERENT MATING LENGTH TAIL LENGTH AND OTHER OPTIONS (SEE TABLE IN SHEET 2)
- NO OF POSITIONS (SEE NOTE 2)
- PIN PLATING (SEE SHEET 2)
- BASE PART NO.



.100±.003 [2.54±.08] TYP. NON-ACCUMULATIVE

∅.040±.003 [1.02±.08] TYP.



.100±.003 [2.54±.08]

RECOMMENDED HOLE PATTERN

mat'l. code SEE NOTES 1		surface ISO 1302 ✓	tolerance ISO 406 ISO 1101	projection ASME Y14.5	product family ECONOSTIK
ltr	ec	no	date	title	
A	NEW	ZK	04/23/14	ECONOSTIK HEADER	
B	BLX-N-18529	ZK	08/14/14	.100/2.54cc DR R/A	
		angles	linear	tolerances unless otherwise specified	scale 2:1
		0°±2'	XXX±.01/XX±0.3	INCH/MM	dwg no
			XXX±.008/XX±0.20		sheet 1 of 2
			XXX±.0040/XXX±0.100		size
		dr	ZK HU	04/23/14	10129382
		engr	ZK HU	04/23/14	A3
		chr	RICK BIAN	04/23/14	
		appd	RICK BIAN	04/23/14	
sheet	revision	B	B		
index	sheet	1	2		

FCI  
FCIconnect.com

Copyright FCI

PRODUCT NUMBER	MATING LENGTH		TAIL LENGTH		BENDING DIMENSION	
	DIM F	DIM F	DIM G	DIM G	DIM H	DIM H
	ENGLISH	METRIC	ENGLISH	METRIC	ENGLISH	METRIC
10129382-XY001XLF	0.230	5.84	0.120	3.05	0.060	1.52
10129382-XY002XLF	0.230	5.84	0.090	2.29	0.060	1.52
10129382-XY003XLF	0.318	8.08	0.120	3.05	0.060	1.52
10129382-XY004XLF	0.318	8.08	0.090	2.29	0.060	1.52

PIN PLATING CODES:	
10129382-9YYXXXXLF	1u"/0.025u MIN Au OVER 50u"/1.27u MIN Ni

NOTES:

1. MATERIAL

BODAY MATERIAL: HIGH TEMPERATURE THERMOPLASTIC.  
 FLAME UL94-V0, BLACK.  
 PIN MATERIAL: COPPER ALLOY.

2. ANY NUMBER OF POSITIONS FROM 4(2X2) TO 72(2X36).

N=NO. OF POSITION/2  
 PRODUCT MAYBE CUTTING TO POSITION,  
 THE CUTTING PLASH IS 0.02[0.51] MAX.

3. PACKING STYLE DEFINITION.

B: PACKED WITH POLY BAG  
 T: PACKED WITH TUBE  
 A: PACKED WITH TAPE AND REEL WITH PICK UP CAP  
 C: PACKED WITH TAPE AND REEL WITHOUT PICK UP CAP

4. TWO SIDES OF PIN TIPS NOT PLATED, TYPICAL BOTH ENDS.

5. 2LBS/0.9KG MIN PIN RETENTION IN EITHER DIRECTION BEFORE REFLOW.

6. THE OAL DON'T EXCEED 1 INCH / 25.4MM.

7. ADD LF AT THE END OF PART NUMBER IS FOR LEAD FREE.

8. THESE PRODUCT MEETS EUROPEAN UNION DIRECTIVES AND OTHER COUNTRY REGULATION AS DESCRIBED IN GS-22-008.

9. PRODUCT SPECIFICATION: GS-12-1223.

10. THIS PRODUCT WILL WITHSTAND EXPOSURE TO 260°C PEAK TEMPERATURE FOR 20 SECONDS IN WAVE SOLDER, INFRA-RED OR VAPOR PHASE SOLDER PROCESS.



Copyright FCI

mat'l. code SEE NOTES 1		surface ISO 1302 ✓	tolerance ISO 406 ISO 1101	projection 	product family ECONOSTIK
ltr	ecn	no	date	tolerances unless otherwise specified	title
B				angles 0°±2°	INCH/MM ECONOSTIK HEADER .100/2.54cc DR R/A
				linear XX±.01/XX±0.3 XXX±.008/XX±0.20 XXXX±.0040/XXX±0.100	scale 2:1
				dr ZK HU 04/23/14	dwg no 10129382
				engr ZK HU 04/23/14	sheet 2 of 2 A3
				chr RICK BIAN 04/23/14	type Product Customer Drawing
				appd RICK BIAN 04/23/14	
sheet index	revision sheet				