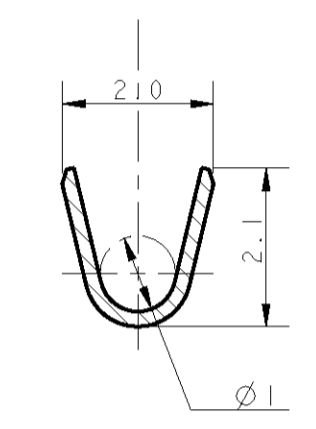
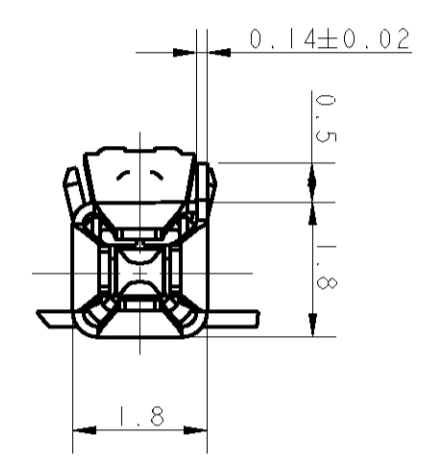
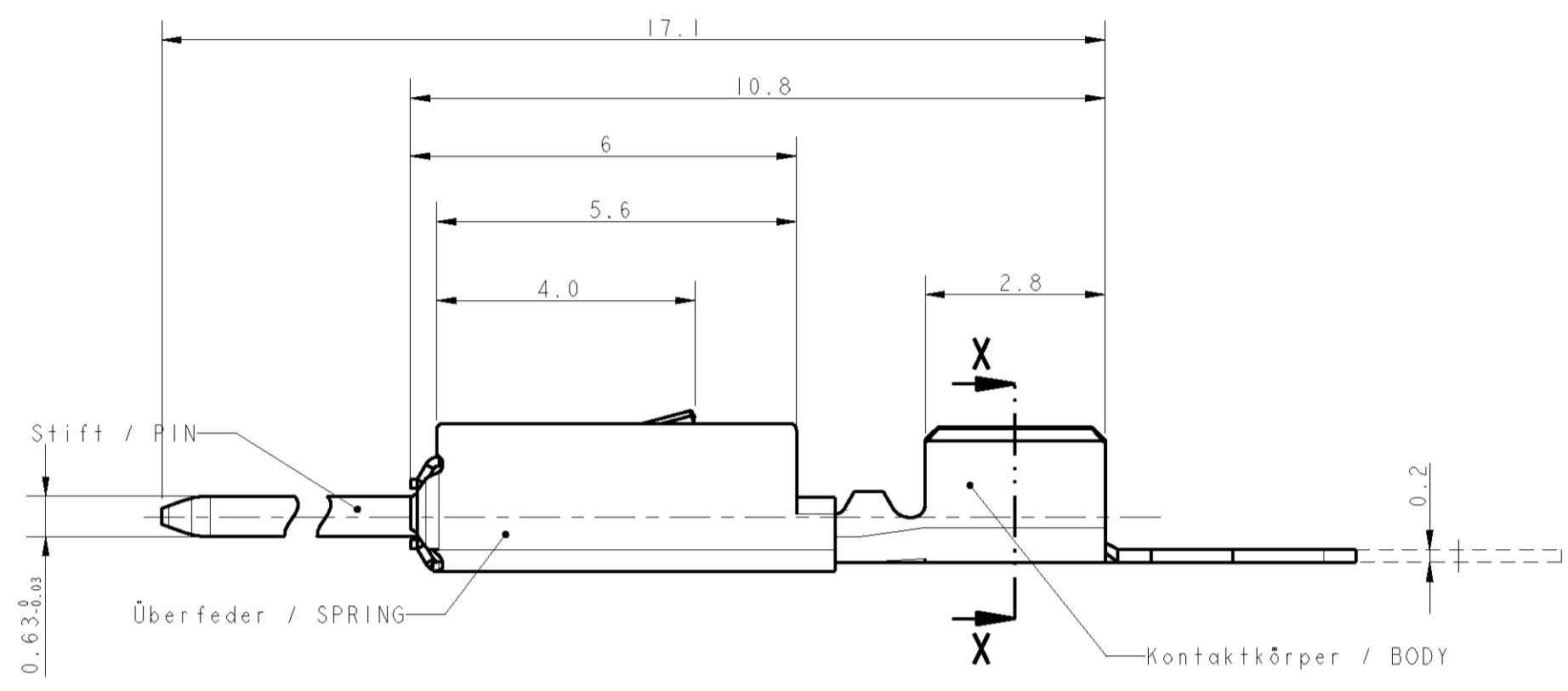


THIS DRAWING IS UNPUBLISHED. RELEASED FOR PUBLICATION  
 © COPYRIGHT copyright\_date BY TYCO ELECTRONICS CORPORATION. ALL RIGHTS RESERVED.

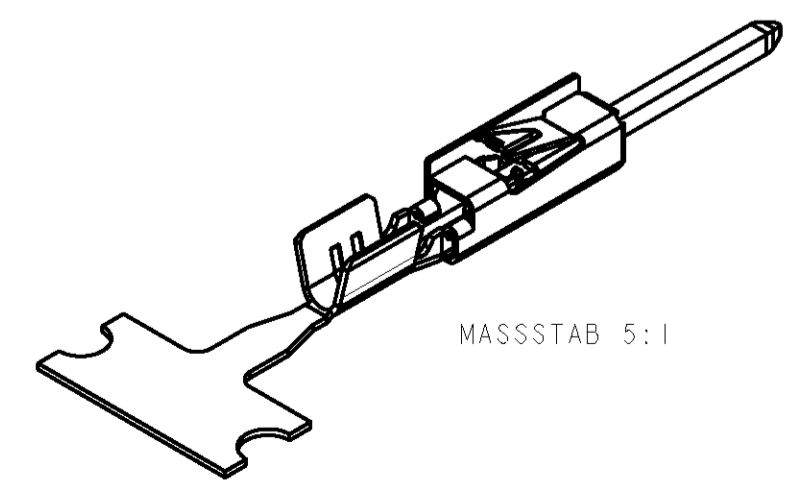
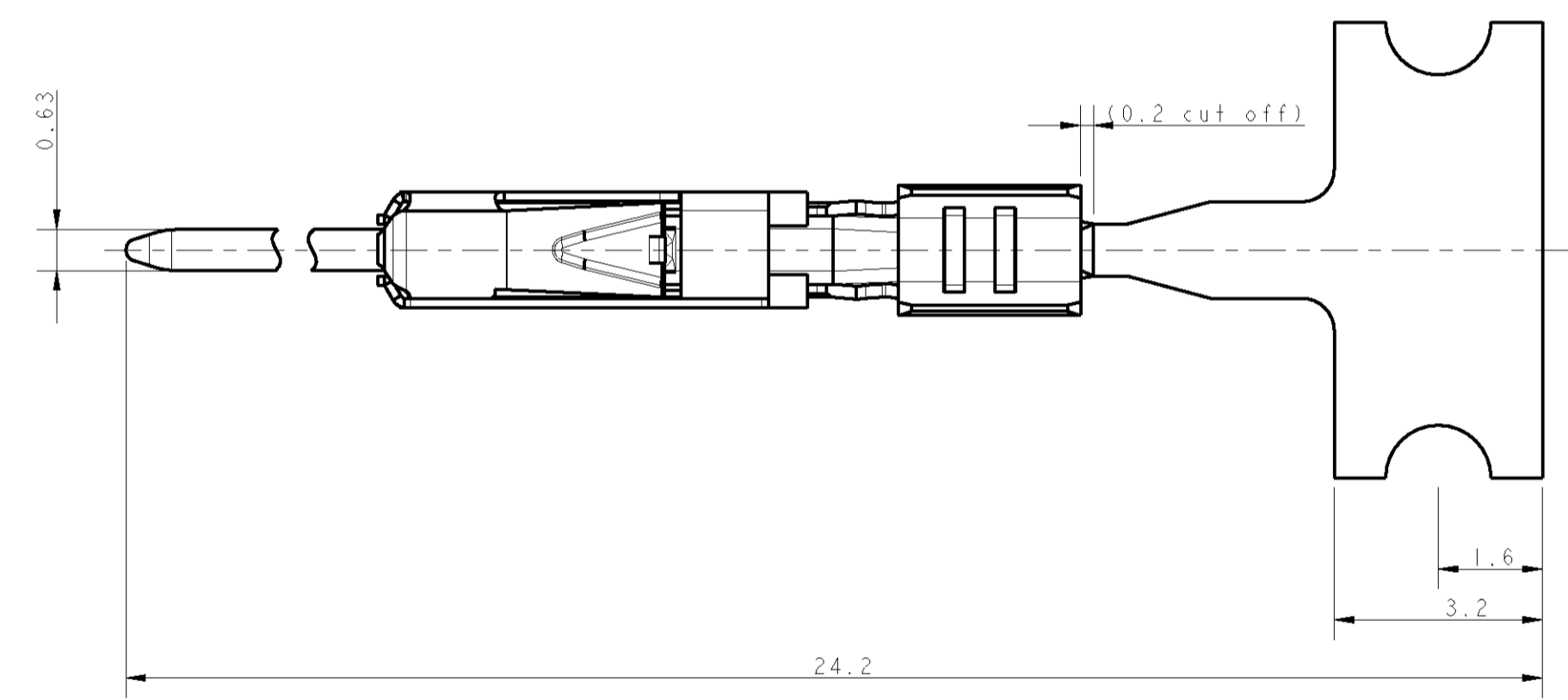
| LOC | DIST | REVISIONS                         |           |     |      |
|-----|------|-----------------------------------|-----------|-----|------|
| P   | LTR  | DESCRIPTION                       | DATE      | DWN | APVD |
| B   |      | add PN -7 -8                      | 15MAY2007 | SRE | SKA  |
| BI  |      | TYCO ELECTRONICS SYMBOL CORRECTED | 07SEP2007 | Bα  | SKA  |



SECTION X-X

Bemerkungen  
NOTES

1. Passend zu Buchenkontakt siehe Zeichnung:AMP:1740336  
SUITABLE FOR SOCKET CONTACT, SEE DRAWING:
2. Kontakt geeignet für Drahtgrößenbereich 0.5...0.75mm<sup>2</sup>  
CONTACT ACCEPTS WIRE-SIZE 0.5...0.75mm<sup>2</sup>
3. Halbautomatisches Werkzeug und Handzange  
(je für 2 crimps in einem Durchgang) verfügbar  
SEMI-AUTOMATIC TOOL AND HANDTOOL  
(EACH FOR 2 CRIMPS IN ONE CYCLE) AVAILABLE:
4. Abmantellänge für crimp ist 3,5 mm  
STRIPPED CABLE LENGHT FOR CRIMP IS 3.5mm
5. Gewicht ca. 0,12g  
WEIGHT ABOUT 0.12g
6. Werkzeugvorschub 7,0 mm  
DIE FEED 7,0 mm
7. Aufgerollt auf Kartonspule  
REELED ON PAPER-REEL



| 9                         | 1740335-8 | 1740335-7   | A       | WITH SPRING | 3           | SPRING | X10CrNi 18 8    |                                |
|---------------------------|-----------|-------------|---------|-------------|-------------|--------|-----------------|--------------------------------|
|                           |           |             |         |             | 2           | PIN    | CuNi3Si / Gold  |                                |
|                           |           |             |         |             | 1           | BODY   | CuNiSi          |                                |
| 9                         | 1740335-6 | 1740335-4   | A       | WITH SPRING | 3           | SPRING | X10CrNi 18 8    |                                |
|                           |           |             |         |             | 2           | PIN    | CuNi3Si / Tin   |                                |
|                           |           |             |         |             | 1           | BODY   | CuNiSi          |                                |
| 9                         | 1740335-3 | 1740335-1   | B       | WITH SPRING | 3           | SPRING | X10CrNi 18 8    |                                |
|                           |           |             |         |             | 2           | PIN    | CuNi3Si / BLANK |                                |
|                           |           |             |         |             | 1           | BODY   | CuNiSi          |                                |
| DIRECTION OFF TOP OF REEL |           | LOOSE PIECE | PART NO | REV         | DESCRIPTION | POS    | DESCRIPTION     | MATERIAL / FINISH CONTACT AREA |

|   |   |   |  |   |                                    |
|---|---|---|--|---|------------------------------------|
| DIRECTION OFF TOP OF REEL<br>Fertig-zustand<br><br>107-3(Fig.1) (M 1:1) | THIS DRAWING IS A CONTROLLED DOCUMENT FOR TYCO ELECTRONICS CORPORATION<br>IT IS SUBJECT TO CHANGE AND THE CONTROLLING ENGINEERING ORGANIZATION<br>SHOULD BE CONTACTED FOR THE LATEST REVISION |   | DWN PRAVEEN 24 APR 06<br>CHK S. SKADE 24 APR 06<br>APVD T. GERLACH 24 APR 06 | Tyco Electronics AMP GmbH<br>64625 Bensheim (Germany) |                                    |
|   | DIMENSIONS:<br>mm<br>   | TOLERANCES UNLESS OTHERWISE SPECIFIED:<br>0 PLC ±-<br>1 PLC ±0.2<br>2 PLC ±-<br>3 PLC ±-<br>4 PLC ±-<br>ANGLES ±-<br>FINISH | PRODUCT SPEC<br>-<br>APPLICATION SPEC<br>-<br>WEIGHT<br>-                    | MICRO QUADLOK SYSTEM<br>PIN CONTACT                   |                                    |
| MATERIAL<br>SEE TABLE   | SEE TABLE   | CUSTOMER DRAWING  | SIZE A2<br>CAGE CODE 00779<br>DRAWING NO 1740335                             | RESTRICTED TO<br>-                                    | SCALE 10.1<br>SHEET OF 1<br>REV BI |