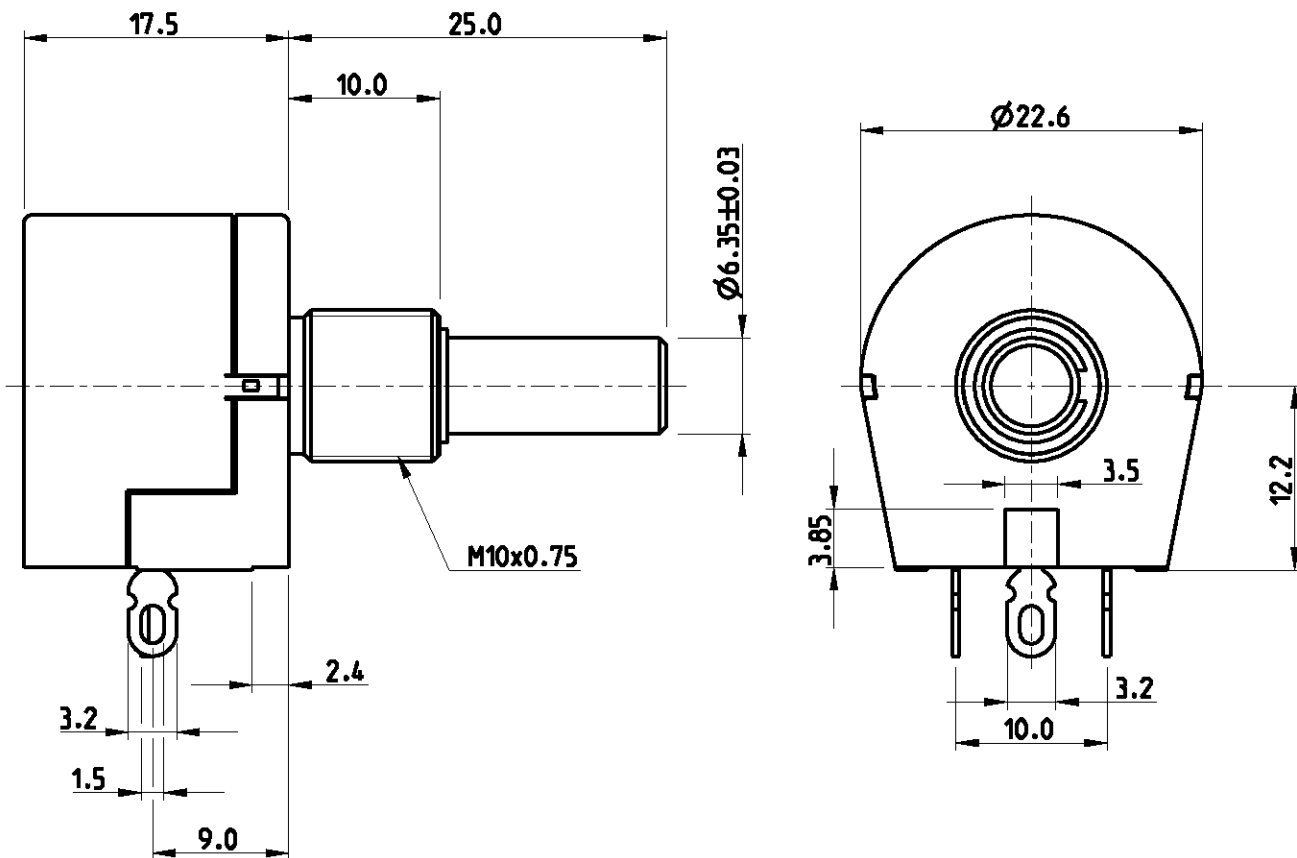
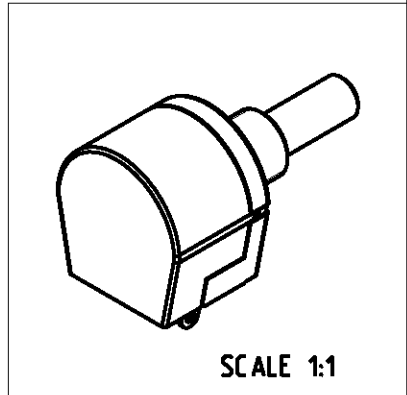


LOC	DIST	REVISIONS					
E	B	P	LTR	DESCRIPTION	DATE	DWN	APVD
		A1		REVISED PER ECO-11-005150	28APR11	RK	HMR



RoHS Compliant



FOR FURTHER INFORMATION SEE DATA SHEET FOR SERIES TW - WIRE WOUND SPINDLE OPERATED POTENTIOMETER

2009

RELEASED FOR PUBLICATION

ALL RIGHTS RESERVED.

BY

COPYRIGHT

THIS DRAWING IS UNPUBLISHED.

DIMENSIONS:	DWN	08-JAN-09	MATERIAL	-	FINISH	-
mm	SUBHASH.M	08-JAN-09				
TOLERANCES UNLESS OTHERWISE SPECIFIED:	CHK	08-JAN-09				
0 PLC ±0.2	ALLAN.P	08-JAN-09				
1 PLC ±0.1	APVD	08-JAN-09	NAME WIRE WOUND SPINDLE OPERATED POTENTIOMETER			
2 PLC ±	STEPHEN.P		SERIES TW			
3 PLC ±	PRODUCT SPEC	-	SIZE	CAGE CODE	DRAWING NO	RESTRICTED TO
4 PLC ±	APPLICATION SPEC	-	A 4	00779	C-1676979	-
ANGLES ±5°	WEIGHT	-	CUSTOMER DRAWING			
			SCALE	2:1	SHEET	1 OF 1
					REV	A1