

**38**mm sq.

# San Ace 38



## General Specifications

- Material ..... Frame: Plastics (Flammability: UL94V-0),  
Impeller: Plastics (Flammability: UL94V-1)
- Expected Life ..... Refer to specifications (L10:Survival rate:90% at 60°C ,  
rated voltage, and continuously run in a free air state)
- Lead Wire ..... ⊕red ⊖black (Sensor) yellow
- Storage Temperature ..... -20°C to +70°C (Non-condensing)

**38×38×28**mm (Mass : 50g) **9GV type**

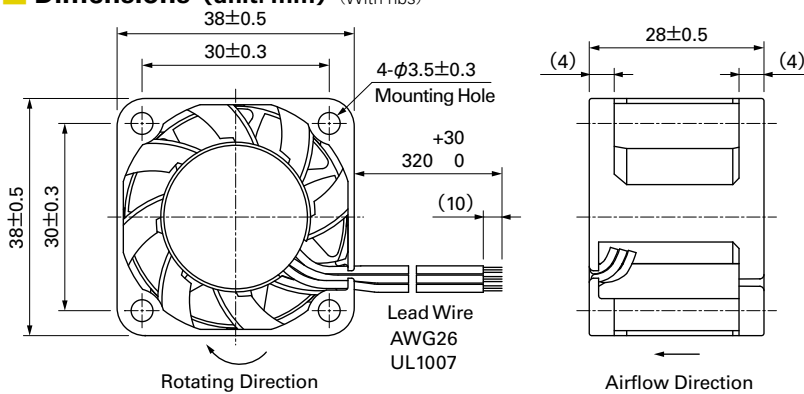
## Specifications

The following nos. **have pulse sensors and ribs**. For ribless, append "1" to the model no.

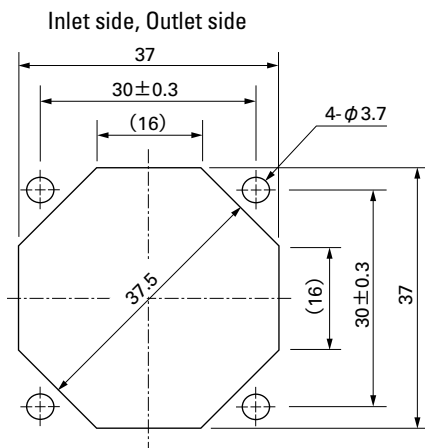
Model No.	Rated Voltage [V]	Operating Voltage Range [V]	Rated Current [A]	Rated Input [W]	Rated Speed [min <sup>-1</sup> ]	Max. Airflow [m <sup>3</sup> /min] [CFM]	Max. Static Pressure [Pa] [inchH <sub>2</sub> O]	SPL [dB(A)]	Operating Temperature [°C]	Expected Life [h]
<b>9GV0312K301</b>	12	7 to 13.2	0.79	9.48	18,200	0.65	23	425	1.707	59
<b>9GV0312J301</b>			0.6	7.2	15,900	0.57	20	315	1.265	54
<b>9GV0312G301</b>			0.4	4.8	13,500	0.48	17	220	0.924	50
<b>9GV0312E301</b>		4.5 to 13.2	0.21	2.52	10,500	0.37	13.1	130	0.522	43
<b>9GV0312H301</b>			0.16	1.92	7,000	0.24	8.5	60	0.241	34

Other sensor specifications are available as options. Please refer to the index (p. 507).

## Dimensions (unit: mm) (With ribs)



## Reference Dimensions of Mounting Holes and Vent Opening (unit: mm)

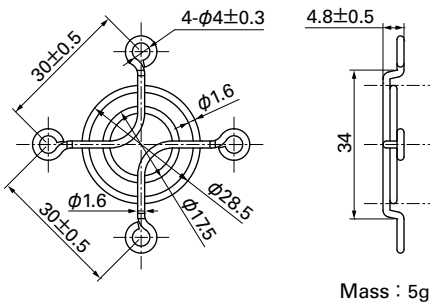


**Options (unit: mm)**

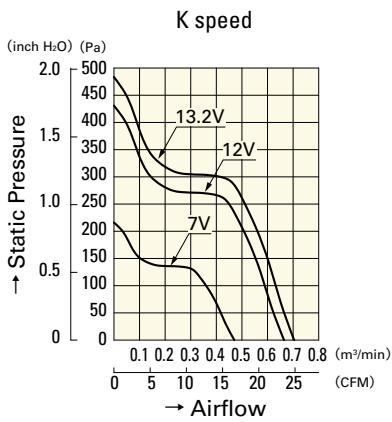
**Finger Guards**

Model : 109-1065 Surface treatment : Nickel-chrome plating (silver) Color

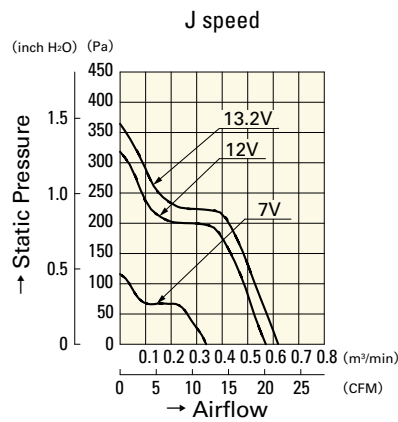
Inlet side, Outlet side



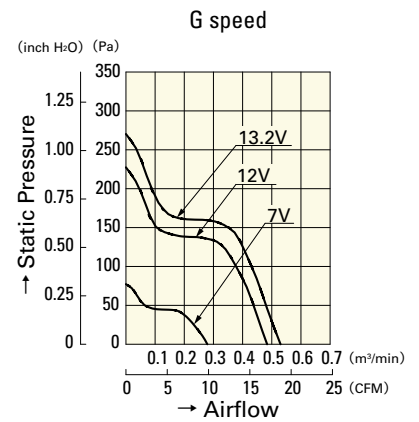
**Airflow - Static Pressure Characteristics**



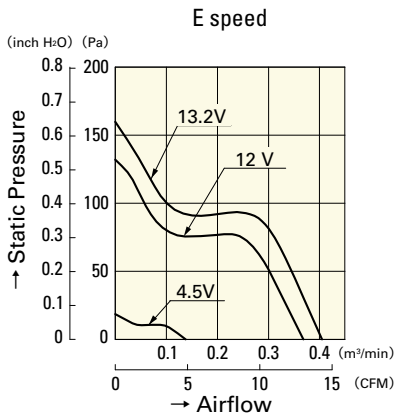
**9GV0312K301**



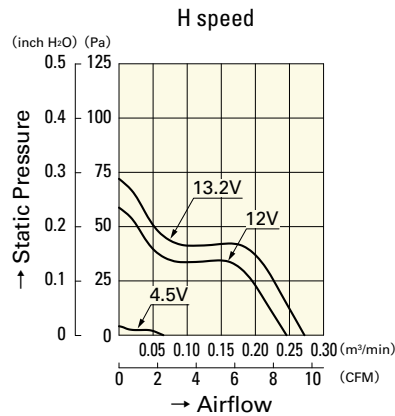
**9GV0312J301**



**9GV0312G301**



**9GV0312E301**



**9GV0312H301**