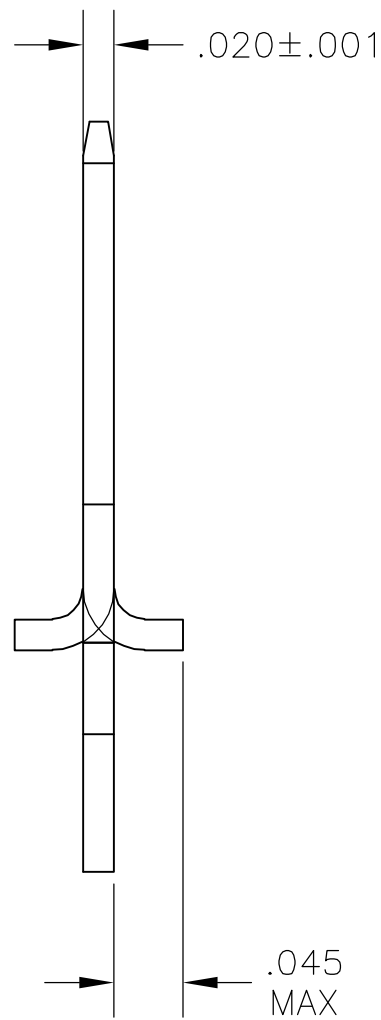
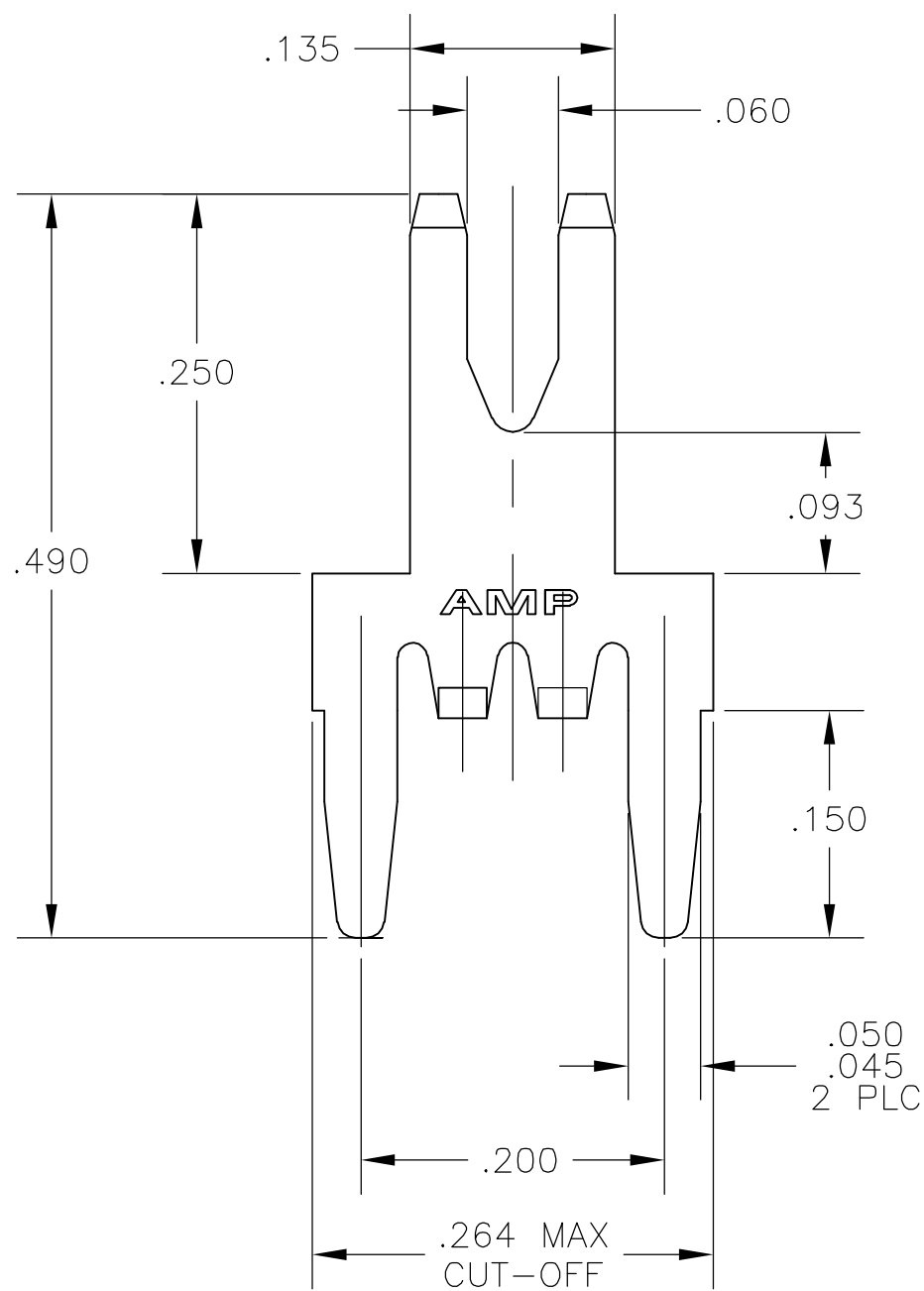
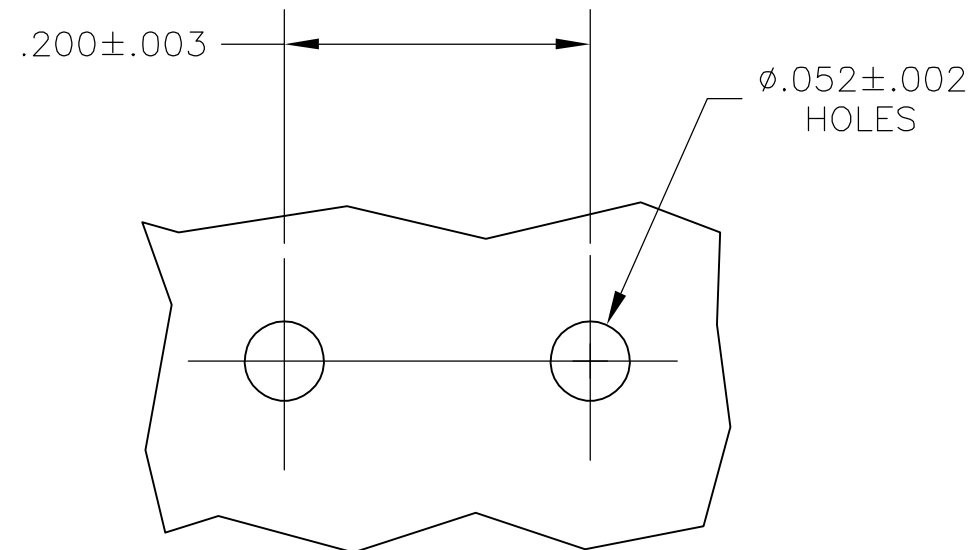


THIS DRAWING IS UNPUBLISHED. RELEASED FOR PUBLICATION
 © COPYRIGHT BY TYCO ELECTRONICS CORPORATION. ALL RIGHTS RESERVED.

LOC	DIST	REVISIONS					
AF	50	P	LTR	DESCRIPTION	DATE	DWN	APVD
			B	REV PER ECR 06-001838	27FEB06	JR	KR



- 1 SUPPLIED IN LOOSE PIECE
- 2 TIN PLATE .000150 MIN OVER .000100 MIN THK COPPER OR TIN PLATE .000150 MIN OVER .000050 MIN NICKEL.



P.C. BOARD HOLE PATTERN

1217041-1
 PART NO.

THIS DRAWING IS A CONTROLLED DOCUMENT.		DWN JR RUTH 21MAR01	Tyco Electronics Corporation Harrisburg, PA 17105-3608	
DIMENSIONS: INCHES		CHK MS FEHER 13FEB01		
TOLERANCES UNLESS OTHERWISE SPECIFIED:		APVD N DEIBERT 13FEB01	NAME TAB, POK-IN, P.C.BOARD MOUNTED	
0 PLC ± - 1 PLC ± - 2 PLC ± .010 3 PLC ± - 4 PLC ± - ANGLES ± - ± -		PRODUCT SPEC -	APPLICATION SPEC 114-2112	
MATERIAL 082 BRASS		FINISH - 2	WEIGHT -	RESTRICTED TO -
CUSTOMER DRAWING			SIZE A3	CAGE CODE 00779
SCALE 8:1			DRAWING NO 1217041	REV B