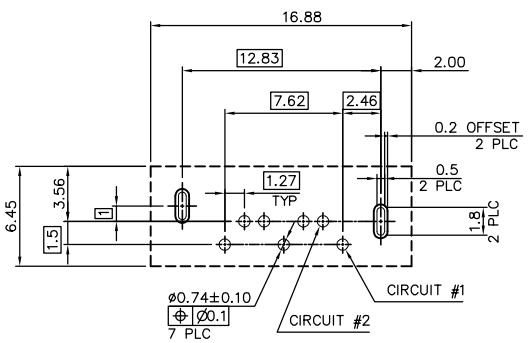
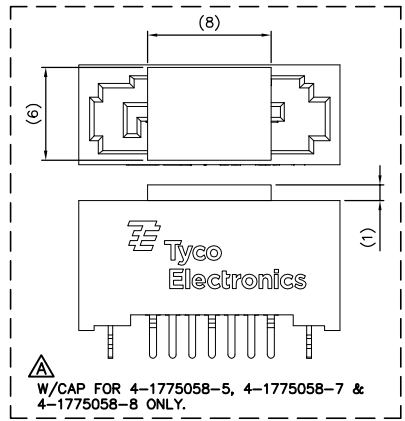
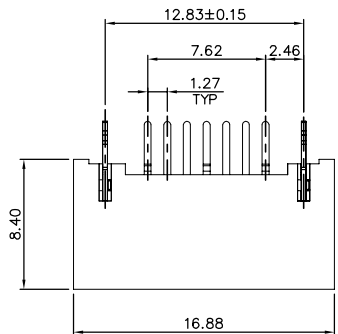
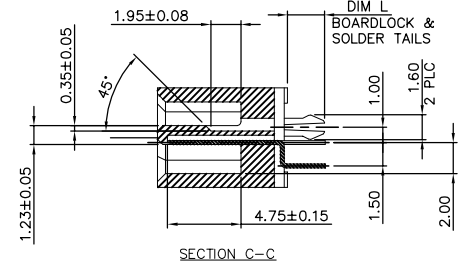
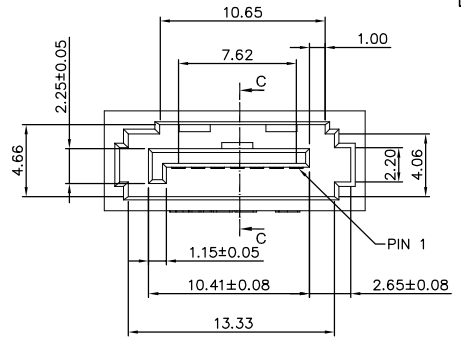


| LOC | DIST | REVISIONS | | | |
|-----|------|-------------|------------------------|--------|-------|
| P | LTR | DESCRIPTION | DATE | DWN | APVD |
| DW | - | F2 | REVISED, ECR-16-001406 | 4MAY16 | SW WH |

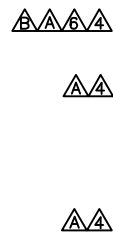
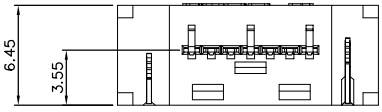
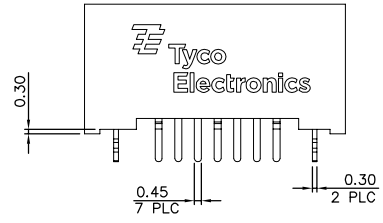


TOLERANCE: ±0.05, THICKNESS: (ESTABLISHED BY CUSTOMER)
 RECOMMENDED PCB LAYOUT (TOP VIEW)

△ SUBSTANCE RESTRICTIONS FOR LOW HALOGEN (BY WEIGHT):
 • BROMINE (Br) ≤ 900 PPM (0.09%)
 • CHLORINE (Cl) ≤ 900 PPM (0.09%)
 • TOTAL CONCENTRATION OF CHLORINE (Cl) + BROMINE (Br) ≤ 1500 PPM (0.15%)



- NOTES:
- MATERIAL:
 HOUSING: PA6T UL94 V-0, COLOR: (SEE TABLE)
 LCP UL94 V-0, BLACK COLOR.
 CAP: LCP UL94 V-0, BLACK COLOR.
 CONTACT: BRASS.
 PEG: BRASS.
 - FINISH:
 CONTACT: GOLD (SEE TABLE) PLATING ON CONTACT AREA 100μ" MIN. MATTE-TIN PLATING ON SOLDERTAILS 50μ" MIN. NICKEL UNDERPLATING OVER ALL.
 PEG: 100μ" MIN. TIN PLATING ON SOLDERTAILS 50μ" MIN. NICKEL UNDERPLATING OVER ALL.
 - WAVE SOLDER CAPABLE TO 265°C AS PER TE CONNECTIVITY SPEC. 109-202, CONDITION B.
 - TAPE AND REEL PACKAGING.
 - NO DATECODE ON THE PRODUCT.



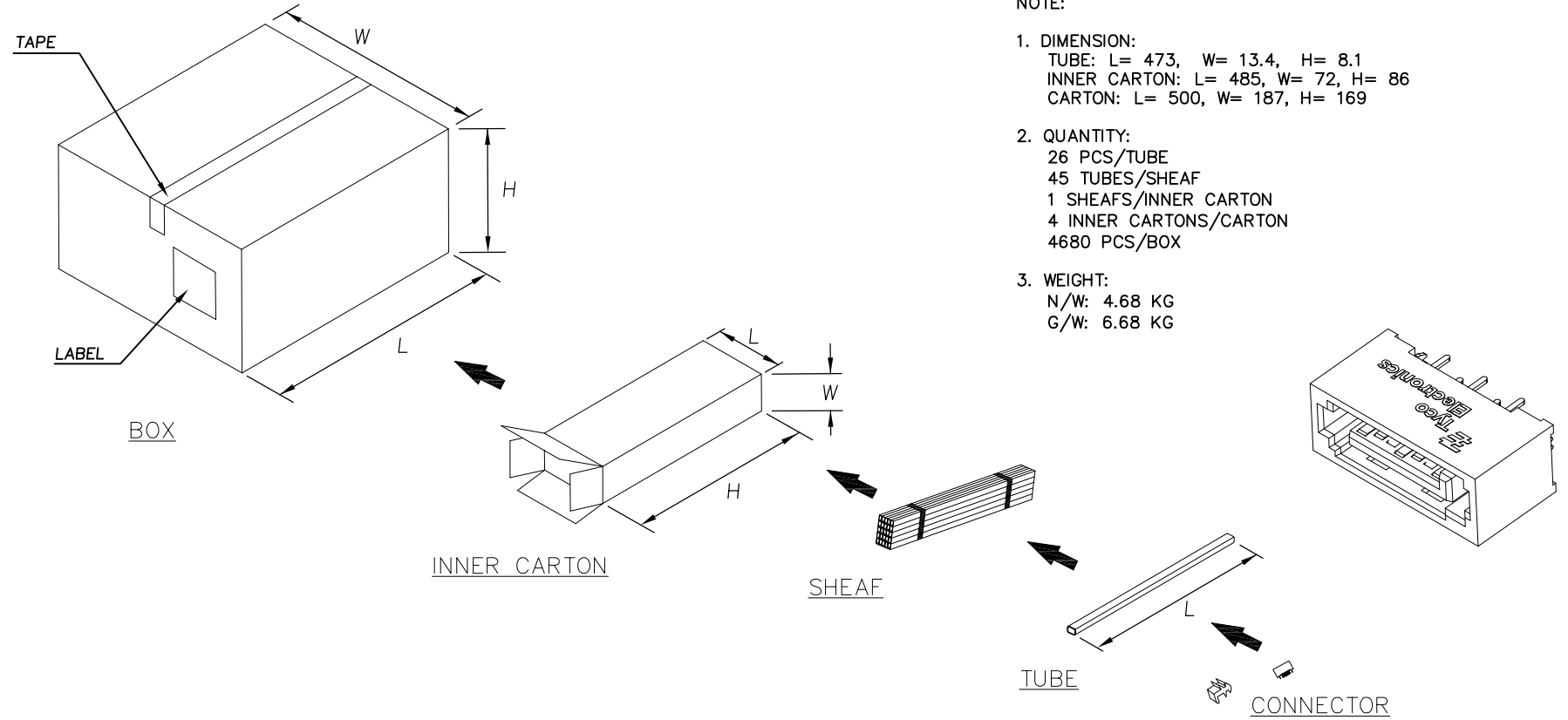
| DIM L | HOUSING COLOR | MIN. GOLD THICKNESS | PART NUMBER |
|-------|----------------------|---------------------|------------------------|
| 1.80 | BLACK | 15μ" | 4-1775058-8 |
| | DARKEST BLUE (661C) | 15μ" | 4-1775058-7 |
| 2.05 | WHITE (COOL GRAY 1C) | 15μ" | 4-1775058-6 |
| | ORANGE (157C) | 15μ" | 4-1775058-5 |
| | DARK BLUE (293C) | G/F | 4-1775058-4 |
| 2.40 | WHITE (COOL GRAY 1C) | G/F | 4-1775058-3 |
| | BLACK | G/F | 1775058-2 |
| | GRAY (422U) | 15μ" | 2-1775058-1 |

| DIM L | HOUSING COLOR | MIN. GOLD THICKNESS | PART NUMBER |
|-------|----------------------|---------------------|------------------------|
| 3.30 | YELLOW (1235C) | 15μ" | 4-1775058-1 |
| | LIGHT BLUE (284C) | 15μ" | 4-1775058-9 |
| | WHITE (7506U) | 15μ" | 3-1775058-8 |
| 2.05 | RED (208C) | 30μ" | 3-1775058-5 |
| | | 15μ" | 3-1775058-4 |
| | | G/F | 3-1775058-3 |
| 3.30 | GREEN (339C) | 30μ" | 3-1775058-2 |
| | | 15μ" | 3-1775058-1 |
| | | G/F | 3-1775058-0 |
| 3.30 | DARKEST BLUE (661C) | 30μ" | 2-1775058-9 |
| | | 15μ" | 2-1775058-8 |
| | | G/F | 2-1775058-7 |
| 3.30 | BLACK | 30μ" | 2-1775058-6 |
| | | 15μ" | 2-1775058-5 |
| | | G/F | 2-1775058-4 |
| 2.40 | GRAY (422U) | 30μ" | 2-1775058-3 |
| | | 15μ" | 2-1775058-2 |
| | | G/F | 2-1775058-1 |
| 2.40 | DARKEST BLUE (661C) | 30μ" | 1-1775058-9 |
| | | 15μ" | 1-1775058-8 |
| | | G/F | 1-1775058-7 |
| 2.40 | ORANGE (157C) | 30μ" | 1-1775058-6 |
| | | 15μ" | 1-1775058-5 |
| | | G/F | 1-1775058-4 |
| 2.40 | LIGHT BLUE (284C) | 30μ" | 1-1775058-3 |
| | | 15μ" | 1-1775058-2 |
| | | G/F | 1-1775058-1 |
| 2.40 | DARK BLUE (293C) | 30μ" | 1-1775058-9 |
| | | 15μ" | 1-1775058-8 |
| | | G/F | 1-1775058-7 |
| 2.40 | WHITE (COOL GRAY 1C) | 30μ" | 1-1775058-6 |
| | | 15μ" | 1-1775058-5 |
| | | G/F | 1-1775058-4 |
| 2.40 | BLACK | 30μ" | 1-1775058-3 |
| | | 15μ" | 1-1775058-2 |
| | | G/F | 1775058-1 |

THIS DRAWING IS A CONTROLLED DOCUMENT.

| | | | |
|-------------------|--|--------------------------|--|
| DIMENSIONS: MM | TOLERANCES UNLESS OTHERWISE SPECIFIED: | DWN A. WU 05SEP2008 | TE Connectivity SERIAL ATA CONNECTOR, 7 PIN, VERTICAL HEADER, B TYPE. |
| | 0 PLC ± - | CHK S. CHIEN 05SEP2008 | |
| | 1 PLC ± 0.3 | APVD W. KODAMA 05SEP2008 | |
| | 2 PLC ± 0.25 | NAME | |
| 3 PLC ± 0.2 | PRODUCT SPEC | 108-57469 | RESTRICTED TO |
| 4 PLC ± - | FINISH | APPLICATION SPEC | SIZE CAGE CODE DRAWING NO |
| 4 ANGLES ± 3' | SEE NOTE | WEIGHT 1 GRAM | A300779 C=1775058 |
| MATERIAL SEE NOTE | SEE NOTE | CUSTOMER DRAWING | SCALE SHEET 1 of 3 REV F2 |

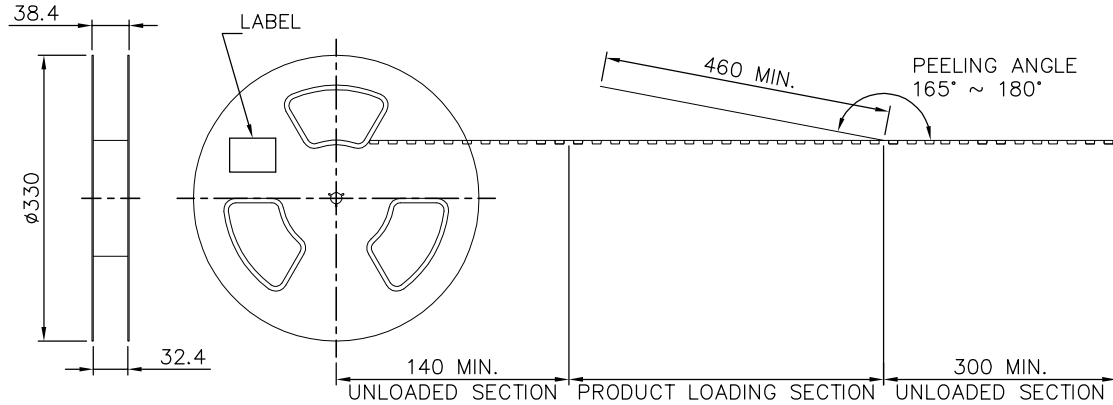
| LOC | DIST | REVISIONS | | | |
|-----|------|--------------|------|-----|------|
| P | LTR | DESCRIPTION | DATE | DWN | APVD |
| | | SEE SHEET 1. | | | |



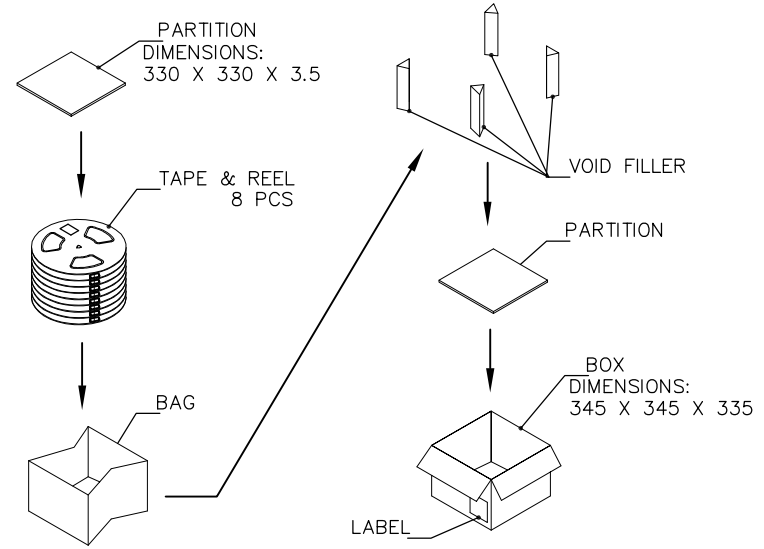
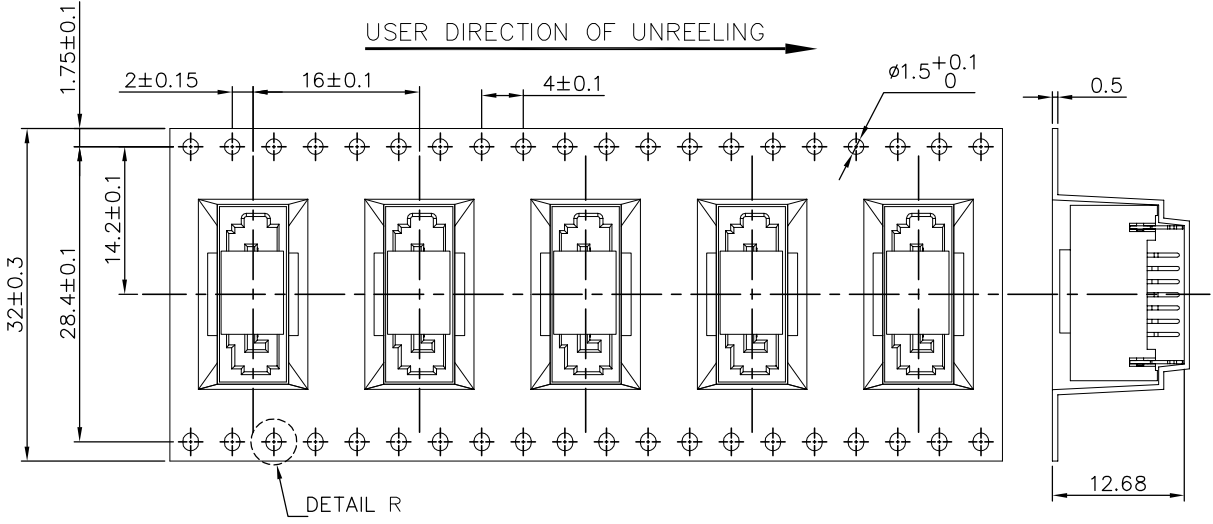
- NOTE:
- DIMENSION:
 TUBE: L= 473, W= 13.4, H= 8.1
 INNER CARTON: L= 485, W= 72, H= 86
 CARTON: L= 500, W= 187, H= 169
 - QUANTITY:
 26 PCS/TUBE
 45 TUBES/SHEAF
 1 SHEAFS/INNER CARTON
 4 INNER CARTONS/CARTON
 4680 PCS/BOX
 - WEIGHT:
 N/W: 4.68 KG
 G/W: 6.68 KG

| | | | | | |
|---|--|------------------|--|---|--|
| THIS DRAWING IS A CONTROLLED DOCUMENT. | | DWN | | TE Connectivity | |
| DIMENSIONS: MM | | CHK | | | |
| | | APVD | | NAME | |
| TOLERANCES UNLESS OTHERWISE SPECIFIED: 0 PLC ± - 1 PLC ± - 2 PLC ± - 3 PLC ± - 4 PLC ± - ANGLES ± - | | PRODUCT SPEC | | SERIAL ATA CONNECTOR, 7 PIN, VERTICAL HEADER, B TYPE. | |
| MATERIAL | | APPLICATION SPEC | | SIZE CAGE CODE DRAWING NO | |
| FINISH | | WEIGHT | | A300779 C=1775058 | |
| CUSTOMER DRAWING | | | | RESTRICTED TO | |
| SCALE | | | | SHEET 2 of 3 | |
| | | | | REV F2 | |

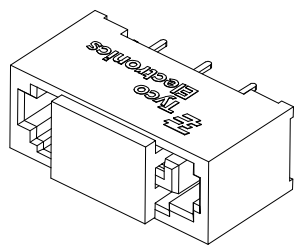
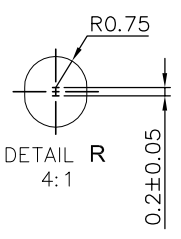
| LOC | DIST | REVISIONS | | | |
|--------------|------|-------------|------|-----|------|
| P | LTR | DESCRIPTION | DATE | DWN | APVD |
| SEE SHEET 1. | | | | | |



- NOTES:
- MATERIAL:
 BOX: FIBREBOARD, CORRUGATED, DOUBLE WALL.
 COVER TAPE: PET, TRANSPARENT COLOR.
 CARRIER TAPE: POLYSTYRENES, TRANSPARENT COLOR.
 REEL: HIPS, BLUE COLOR.
 BAG: POLYETHYLENES, TRANSPARENT COLOR.
 - EACH BAG SHALL BE INCLUDED DESICCANT.
 - PEELING STRENGTH: 0.1 ~ 1.3 N (10 ~ 130 GRAMS).
 - PEELING SPEED: 300 mm/min.



| 2400 | 8 | 300 | 4-1775058-8 |
|---------|-----------|----------|-------------|
| | | | 4-1775058-7 |
| | | | 4-1775058-5 |
| PCS/BOX | REELS/BOX | PCS/TAPE | PART NUMBER |



THIS DRAWING IS A CONTROLLED DOCUMENT.

| | |
|-------------------|--|
| DIMENSIONS: MM | TOLERANCES UNLESS OTHERWISE SPECIFIED: |
| | 0 PLC ± |
| | 1 PLC ± |
| | 2 PLC ± |
| | 3 PLC ± |
| | 4 PLC ± |
| | ANGLES ± |
| MATERIAL | FINISH |

| | | | |
|------------------|---|-----------|---------------|
| DWN | TE Connectivity | | |
| CHK | NAME | | |
| APVD | SERIAL ATA CONNECTOR, 7 PIN, VERTICAL HEADER, B TYPE. | | |
| PRODUCT SPEC | SIZE | CAGE CODE | DRAWING NO |
| APPLICATION SPEC | A3 | 00779 | C=1775058 |
| WEIGHT | CUSTOMER DRAWING | | RESTRICTED TO |
| SCALE | SHEET | 3 OF 3 | REV F2 |