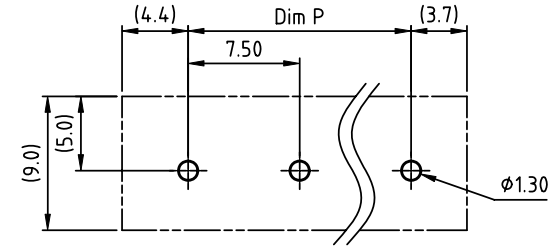
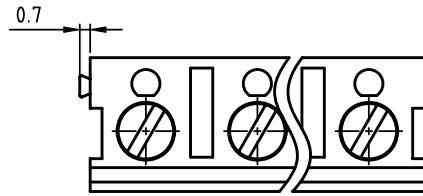
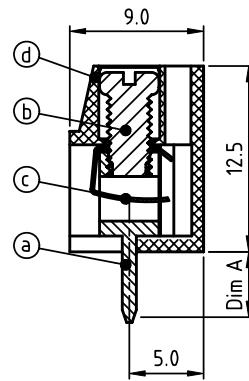
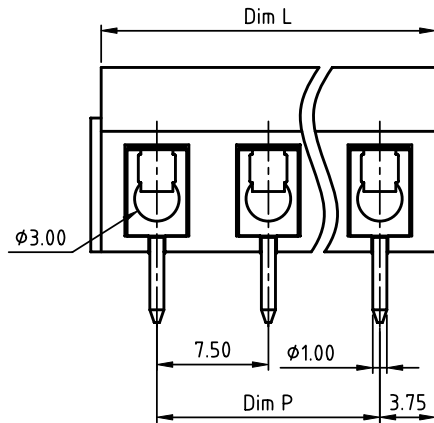


PRODUCT NUMBER	PITCH
TAxx21xxBBJ0G	7.50 mm



RECOMMENDED P.C.B LAYOUT  
TOP VIEW



Material

- Item ① Terminal body(metal housing): Brass(CuZn),Tin plated
- Item ② Terminal screw: Steel Zinc plating "-" slot type
- Item ③ Wire guard: Stainless steel
- Item ④ Insulator (housing): Thermoplastic (UL94V-0)

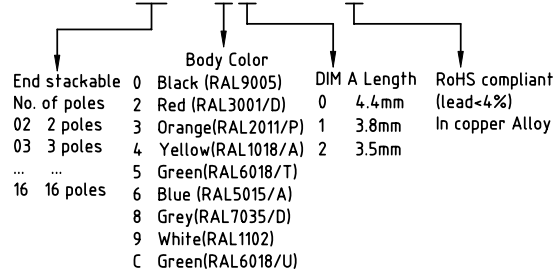
Electrical UL

- Voltage rating: 250VAC
- Current rating: 16A
- Wire range:
- Solid wire(AWG): 14-22
- Stranded wire(AWG): 14-22
- Torque: 3.5Lb-In
- Screw: M3
- Wire strip length: 6-7mm
- Withstanding Voltage: 1.5KV
- Operating temperature: -40°C to +115°C
- Soldering temperature: 260°C±5°C/5 Sec
- Safety Approval:

N = Number of poles  
Dim L=Nx7.5  
Dim P=(N-1)x7.5

Poles	Dim P	Dim L
2-4p	±0.10	±0.15
5-8p	±0.20	±0.20
9-12p	±0.25	±0.30
13-16p	±0.30	±0.40

PART NO.: TA xx 21 x x BBJ0 G



mat'l. code		surface ASME Y14.5	tolerance ASME Y14.5	projection 	product family TERMINAL BLOCK
ltr	ecn no	dr	date	tolerances unless otherwise specified	title TERMINAL BLOCK
				angles 	scale WIRE PROTECTOR,180D WIRE INLET,ONE INTERLOCK
				dr	dwg no
				enr	sheet 1 of 1
				chr	size
				appd	A4
					type CUSTOMER Drawing
sheet index	revision	A			
	sheet	1			