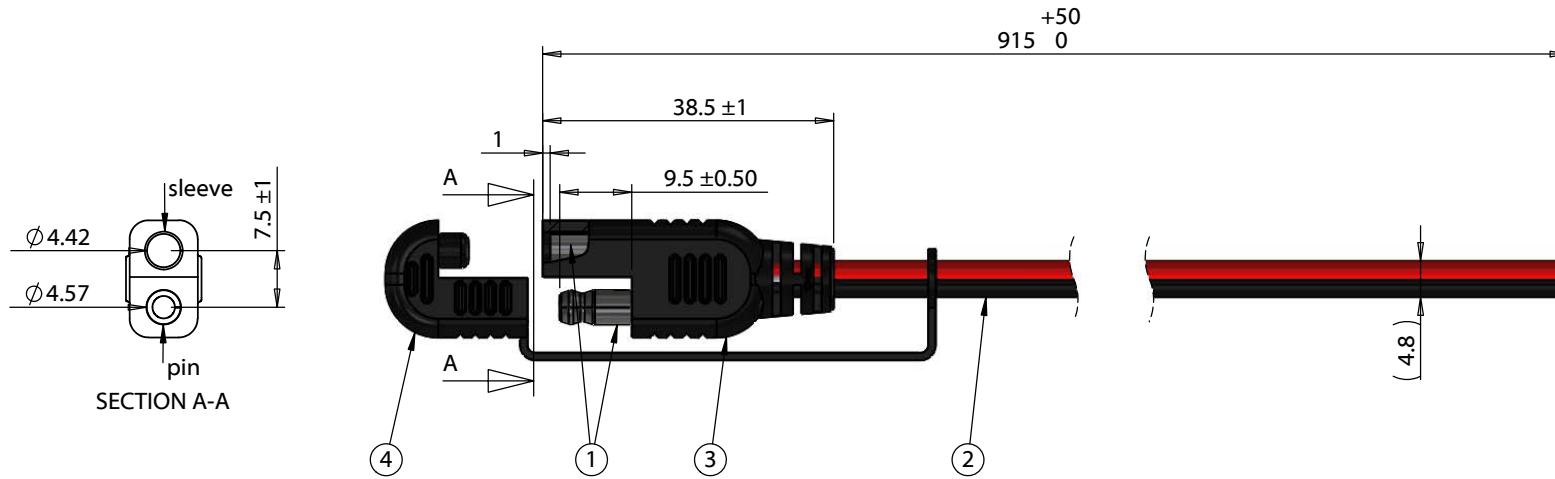


ITEM NO.	PART NUMBER	DESCRIPTION	QTY.	COMPONENT NOTES
1	50-00550	Connector, 4.75x10.2mm SAE, brass nickel plated, molding type	1	
2	30-00792	Wire, 2C TS, 16 AWG, UL2651, 300V, 105C, 4.8 mm, VW-1, PVC, red and black	1	
3	24-00176	Overmold, SAE connector, PVC, black	1	black, 105 °C
4	55-00059	Dust cap, SAE connector, overmold fit	1	black, 105 °C



Notes:
Functionally equivalent components may be substituted

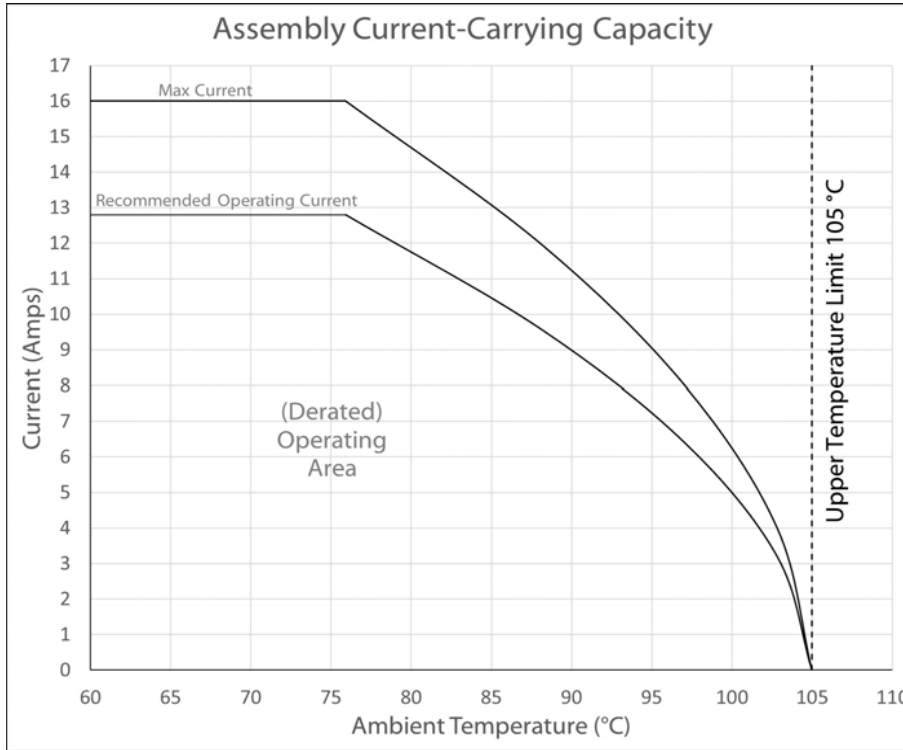
Wiring Diagram	
50-00550	wire color
sleeve	red (+)
pin	black (-)

Revision:	Date:	Description:	Prepared:	Notes:	<h1>TENSILITY</h1> <p>tel 1.541.323.3228 800 877.670.7118 fax 1.541.323.4202 web tensility.com</p>		
A	1/16/2017	Initial release		RoHS and REACH compliant			
			Verified:	Function test: no open, no short circuit, no intermittent			
			Dimensions are in millimeters. Tolerances: X: ± 0.5 mm X.X: ± 0.3 mm X.XX: ± 0.05 mm	Description: Cable, 915 mm, 50-00550 SAE to blunt cut, 16 AWG, UL2651, 30-00792, R-B wire, black to SAE pin			
				Scale: 1:1			
					<table border="1"> <tr> <td>Size: A</td> <td>Part number: 10-02407</td> </tr> </table>	Size: A	Part number: 10-02407
Size: A	Part number: 10-02407						


Electrical Requirements

Operating Voltage: 48 Vdc

Max Current: 16 A



Testing based on IEC 60512-5-2. Max current curve generated with isolated test article under controlled environmental conditions, and does not take into account external factors such as housings or circuitry. Recommended operating current curve (derated to 80% of max values) accounts for external factors, manufacturing variation, and error in temperature measurements.

Revision:	Date:	Description:	Prepared:	Notes: RoHS and REACH compliant	TENSILITY tel 1.541.323.3228 800 877.670.7118 fax 1.541.323.4202 web tensility.com
A	1/16/2017	Initial release	Verified:		
			Dimensions are in millimeters. Tolerances: X: ± 0.5 mm X.X: ± 0.3 mm X.XX: ± 0.05 mm	Description:	Size: Part number:
				Cable, 915 mm, 50-00550 SAE to blunt cut, 16 AWG, UL2651, 30-00792, R-B wire, black to SAE pin	A 10-02407
				Scale: 1:1	Scale: 1:1  Sheet 2 of 2