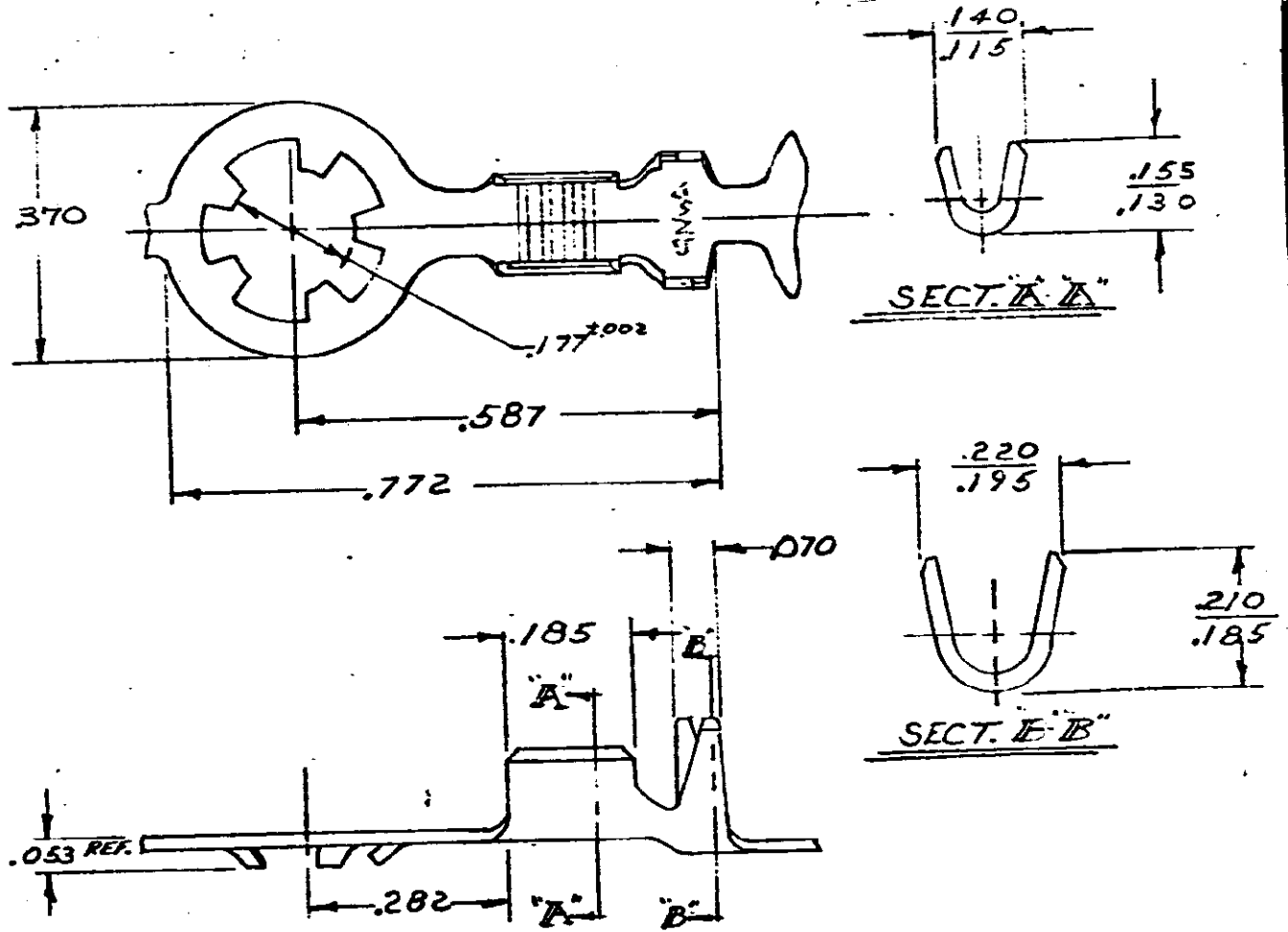


DRAWING MADE IN AMERICAN PROJECTION

NUMBER 350509



CONTINUOUS STRIP, ON REELS

PART NO.
350509-1

DIMENSIONS IN INCHES. DO NOT SCALE PRINT.

UNPUBLISHED COPY NOT TO BE REPRODUCED NOR PUBLISHED WITHOUT WRITTEN PERMISSION OF AMP INCORPORATED.

© 1973 BY AMP INCORPORATED. ALL RIGHTS RESERVED. AMP PRODUCTS COVERED BY PATENTS AND/OR PATENTS PENDING

CUSTOMER COPY REFERENCE ONLY

MATERIAL AND FINISH
025 3F488



AMP INCORPORATED
HARRISBURG, PENNA.

WIRE — RANGE — INSULATION TYPE
#22-16 | .105 MAX

TOLERANCE EXCEPT AS NOTED
± .015 ± 1° 0'

LOC A NO 350509 REV A

LTR	REVISION RECORD	ECN	OP	CHK	DATE
DR	A. M. S. Revision				8-9-73
CHK					2-9-75

NAME RING