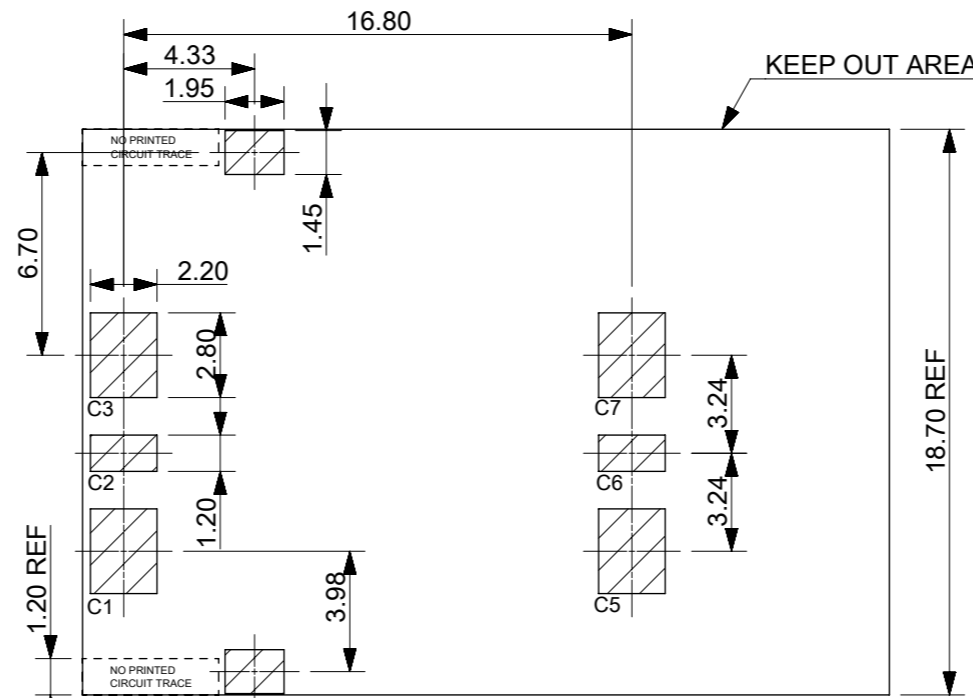
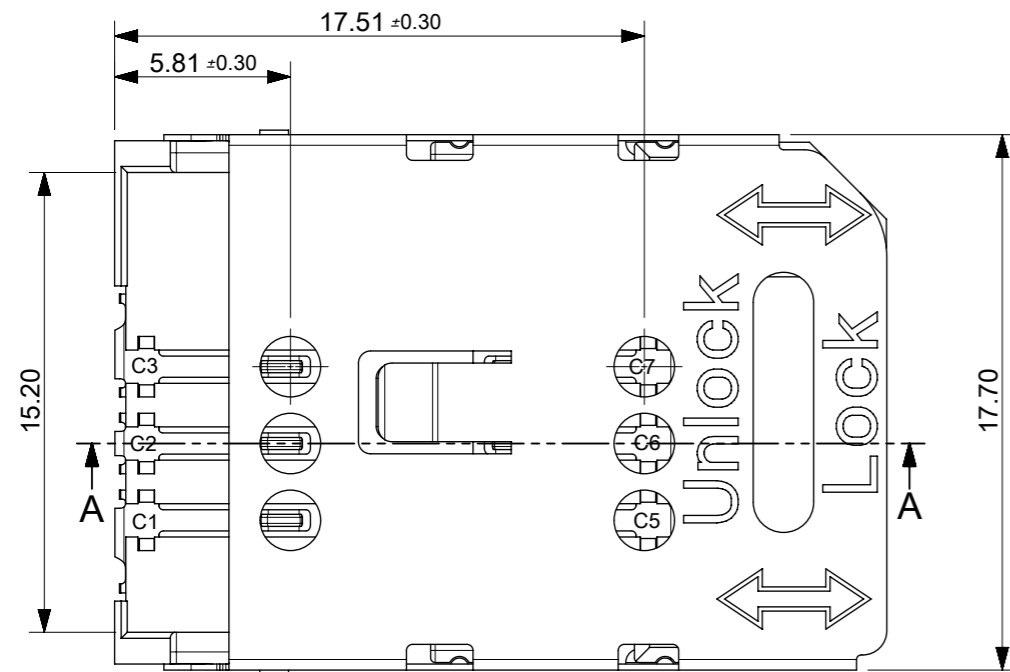
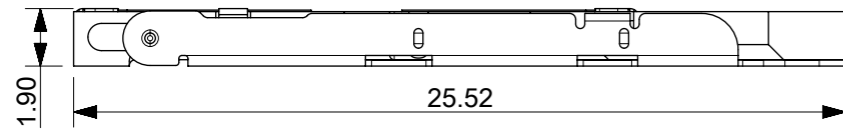
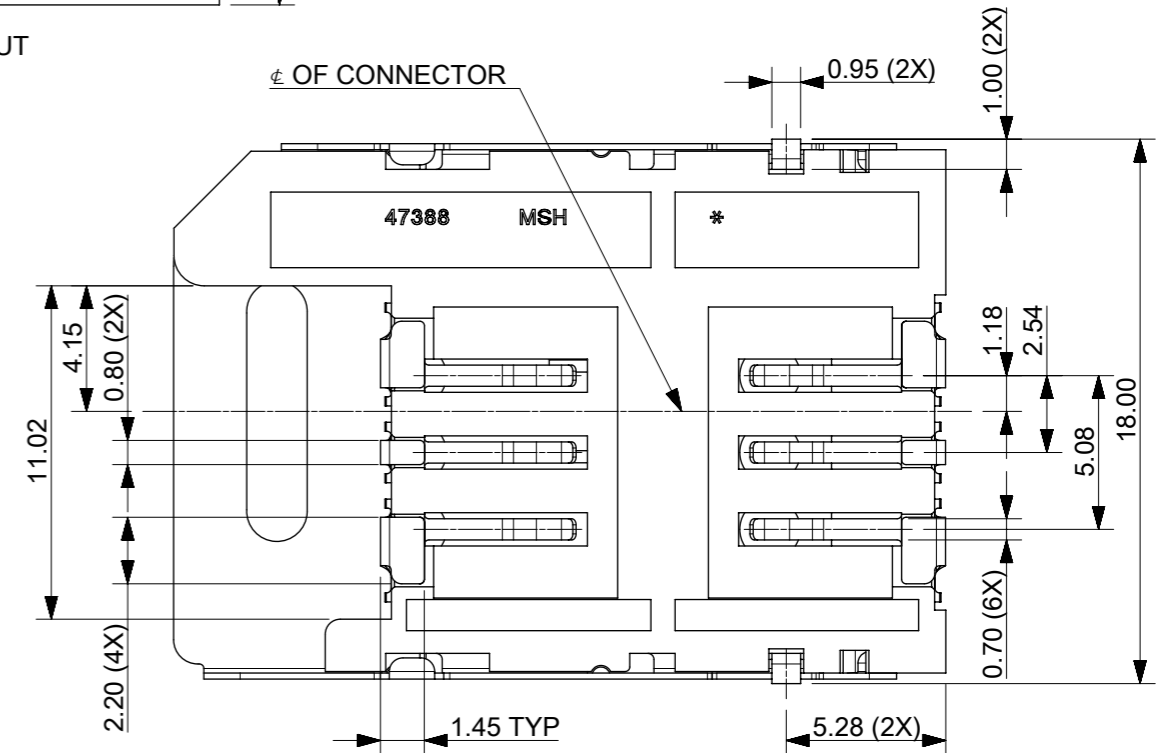
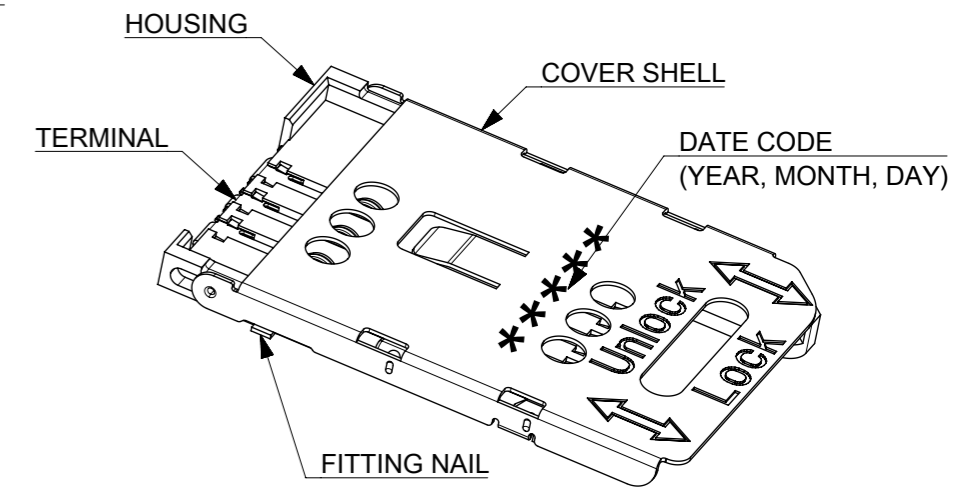
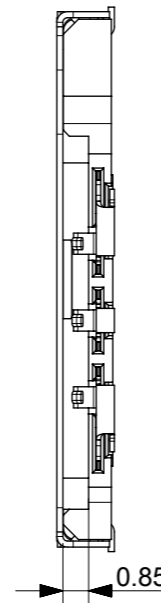


SECTION A-A



RECOMMENDED PCB LAYOUT  
TOLERANCE: ±0.05mm



NOTES:

1. MATERIALS:

- HOUSING: LCP, GLASS FILLED, UL 94V-0, COLOR: BLACK.
- TERMINAL: PHOSPHOR BRONZE, THICKNESS: 0.15mm.
- COVER SHELL: STAINLESS STEEL, THICKNESS: 0.20mm.
- FITTING NAIL: BRASS, THICKNESS: 0.20mm.

2. FINISH:

- TERMINAL: CONTACT AREA: 0.75MICRON MIN GOLD PLATE OVER 1.27MICRON MIN NICKEL. SOLDER AREA: 3.8MICRON MIN TIN PLATE OVER 1.27MICRON MIN NICKEL.
- FITTING NAIL: 2.54MICRON MIN TIN OVER 1.27MICRO MIN NICKEL OVERALL.

3. COPLANARITY: 0.10mm MAX AMONG ALL SOLDER TAILS.

4. PRODUCT SPECIFICATION: PS-47388-001.

5. PACKAGING SPECIFICATION: PK-47388-001.

THIS DRAWING CONTAINS INFORMATION THAT IS PROPRIETARY TO MOLEX ELECTRONIC TECHNOLOGIES, LLC AND SHOULD NOT BE USED WITHOUT WRITTEN PERMISSION

REDESIGN ROLL PIN	EC NO: 116683	2016/11/03	GENERAL TOLERANCES (UNLESS SPECIFIED)	DIMENSION UNITS	SCALE				
	DRWN: KP SI	2016/11/02	ANGULAR TOL ± 3.0 °	MM	NTS				
	CHK'D: XQZHANG	2017/05/26	4 PLACES ±	DRWN BY	DATE				
	APPR: AYIN		3 PLACES ±	YWANG	2006/01/04				
			2 PLACES ± 0.25	CHK'D BY	DATE	SALES DRAWING FOR 1.90MM SIM CARD READER CONNECTOR			
			1 PLACE ± 0.25	XIXU	2006/08/02				
			0 PLACES ±	APPR BY	DATE				
			DRAFT WHERE APPLICABLE MUST REMAIN WITHIN DIMENSIONS	JNCHEN	2006/08/03				
				DRAWING SIZE	THIRD ANGLE PROJECTION	PRODUCT CUSTOMER DRAWING			
				A3		SERIES	MATERIAL NUMBER	CUSTOMER	
						47388	473880001	GENERAL MARKET	
						DOCUMENT NUMBER	DOC TYPE	DOC PART	SHEET NUMBER
						SD-47388-001	PSD	000	1 OF 1

RELEASE STATUS	RELEASE DATE
----------------	--------------