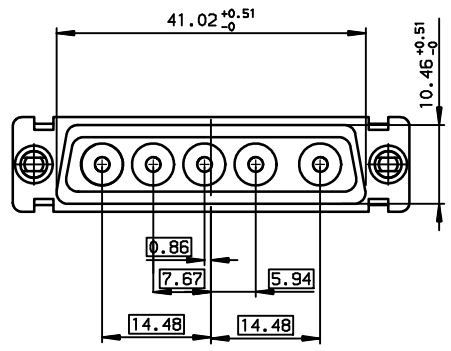
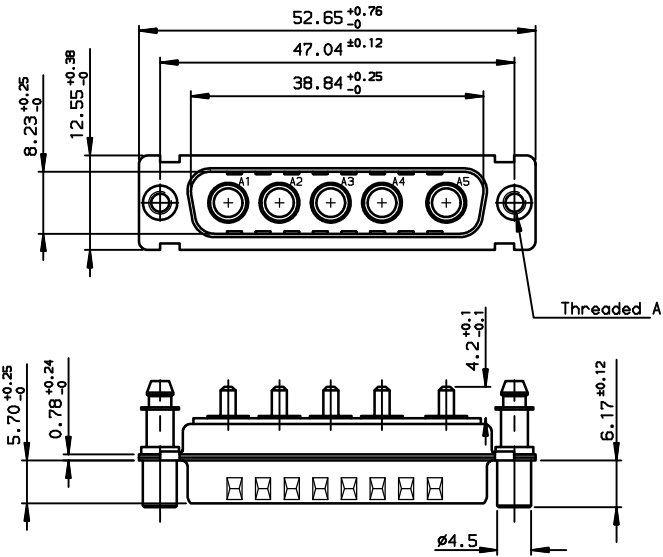
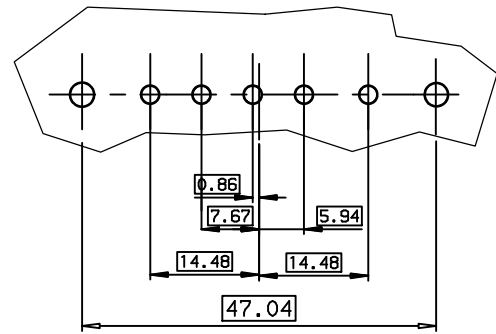




Copyright FCI.



LAYOUT DIMENSIONS (after plating)
CONNECTOR SIDE VIEW



DBI5W5P300G30	M3
DBI5W5P300G40	M3
DBV5W5P300G30	UNC 4.40
DBV5W5P300G40	UNC 4.40
PART NUMBER	Threaded A

GENERAL CHARACTERISTICS : SEE DRAWING C01-8639-0001

European Views

www.fciconnect.com			surface ISO 1302 ✓	tolerance std ISO 406 ISO 1101	projection mm	TOLERANCES UNLESS OTHERWISE SPECIFIED																																		
Dr	JARRY	2001/01/24	ANGULAR	LINEAR	0.x ±0.1	size A3	Scale 1.5																																	
Eng	PESSON	2001/01/24	0.xx ±0.1	0.xxx ±0.1	ECN	LS06-0097																																		
Chr	LEGARE	2001/01/24	0.xx* ±2*	Product family	D-SUB	Spec ref -																																		
Appr	LEGARE	2001/01/24																																						
<table border="1"> <thead> <tr> <th>rev</th> <th>ecn no</th> <th>dr</th> <th>date</th> </tr> </thead> <tbody> <tr> <td>B</td> <td>-</td> <td>DEB</td> <td>2001/01/24</td> </tr> <tr> <td>C</td> <td>LS05-001</td> <td>MPE</td> <td>2005/03/09</td> </tr> <tr> <td>D</td> <td>LS05-0090</td> <td>LGO</td> <td>2005/10/17</td> </tr> <tr> <td>E</td> <td>LS06-0097</td> <td>LGO</td> <td>2006/07/31</td> </tr> <tr> <td>-</td> <td>-</td> <td>-</td> <td>-</td> </tr> <tr> <td>-</td> <td>-</td> <td>-</td> <td>-</td> </tr> <tr> <td>-</td> <td>-</td> <td>-</td> <td>-</td> </tr> </tbody> </table>			rev	ecn no	dr	date	B	-	DEB	2001/01/24	C	LS05-001	MPE	2005/03/09	D	LS05-0090	LGO	2005/10/17	E	LS06-0097	LGO	2006/07/31	-	-	-	-	-	-	-	-	-	-	-	-			MALE CONNECTOR 5W5 WITH ACCESSORIES		C01-8639-1841	Rev. E
rev	ecn no	dr	date																																					
B	-	DEB	2001/01/24																																					
C	LS05-001	MPE	2005/03/09																																					
D	LS05-0090	LGO	2005/10/17																																					
E	LS06-0097	LGO	2006/07/31																																					
-	-	-	-																																					
-	-	-	-																																					
-	-	-	-																																					
catalog no			-		CUSTOMER sheet 1 of 1																																			

REV F - 2006-04-17