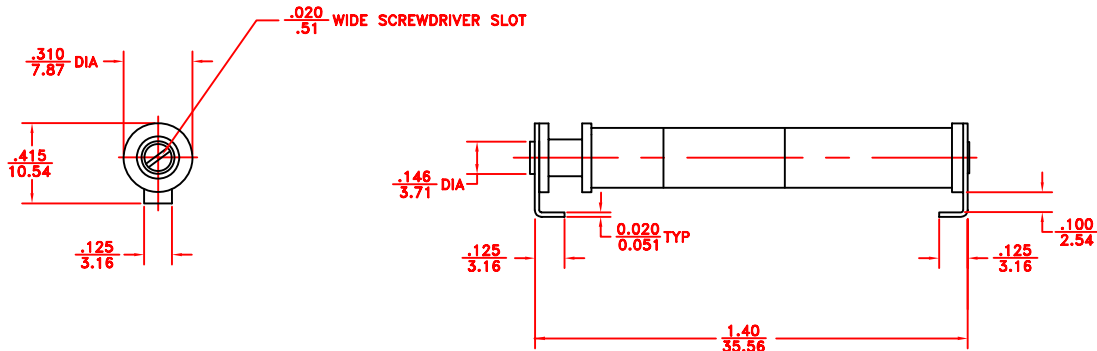


REV	DESCRIPTION	DATE	APP
00	NEW DRAWING	08/03/17	R.L.



NOTES:

- 1.CAPACITANCE: $C_{max} \geq 75$ pF, $C_{min} \leq 1.0$ pF.
2. $Q \geq 250$.
- 3.WORKING VOLTAGE:1,000 VDC.
- 4.WITHSTANDING VOLTAGE: 2,000 VDC.
- 5.INSULATION RESISTANCE: 10^6 MEGOHMS.
- 6.TEMPERATURE COEFFICIENT: 150 ± 100 PPM/ $^{\circ}$ C.
- 7.OPERATING TEMPERATURE: -55 TO 125° C.
- 8.DIMENSIONS: (In/mm)

TOLERANCES: (EXCEPT AS NOTED)	SPRAGUE GOODMAN ELECTRONICS INC. 1700 SHAMES DRIVE WESTBURY, NY 11590		
DECIMALS: ± 0.005 In ± 0.130 mm	MATERIAL:	SCALE: 2:1	DRAWN BY: R. LEVIN
FRACTIONAL: 1/64	TITLE: TRIMMER CAPACITOR	APPROVED: I. DITLYA	
ANGULAR: 1"	DATE: 08/03/17	DRAWING NUMBER: GFV75033-S	USED FOR: REV. 00