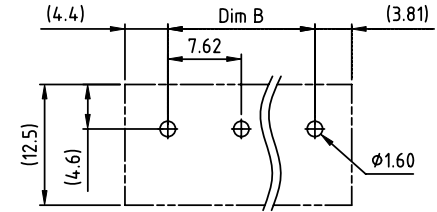
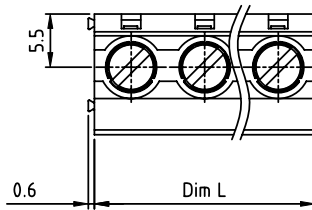
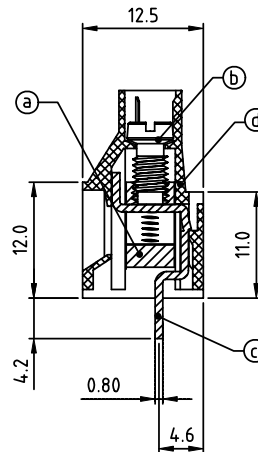
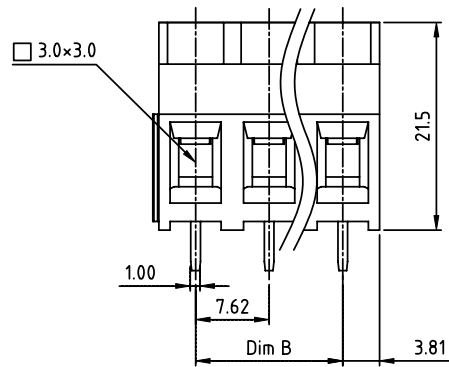


PRODUCT NUMBER	PITCH
T7xx43x000J0G	7.62 mm



RECOMMENDED P.C.B LAYOUT  
TOP VIEW



Material

- Item ① Clamp : Brass, Ni plated
- Item ⑤ Terminal screw : Steel Zinc plating "-" slot type
- Item ③ Solder pin : Copper, Tin plated
- Item ④ Terminal housing : Thermoplastic (UL94V-0)

- |                          |                 |                         |
|--------------------------|-----------------|-------------------------|
| Electrical               | cULus           | TUV                     |
| ● Voltage rating:        | 300VAC          | 750VAC                  |
| ● Current rating:        | 30A             | 41A                     |
| ● Wire range:            |                 | 0.20-6.0mm <sup>2</sup> |
| ● Solid wire(AWG):       | 10-24           |                         |
| ● Stranded wire(AWG):    | 10-24           |                         |
| ● Torque:                | 6.9 Lb-in       | 0.85 N.m                |
| ● Screw:                 | M3.5            |                         |
| ● Wire strip length:     | 6-7mm           |                         |
| ● Withstanding Voltage:  | 1.6KV           | 3KV                     |
| ● Operating temperature: | -40°C to +115°C |                         |
| ● Soldering temperature: | 260°C±5°C/5 Sec |                         |
| ● Safety Approval:       |                 |                         |

PART NO.: T7 xx 4 3 x 0 00J0 G

N = Number of poles  
Dim L=Nx7.62  
Dim B=(N-1)x7.62

Poles	Tolerance
2-6p	±0.15
7-11p	±0.25
12-16p	±0.35

End Stackable	0	Black (RAL9005)	RoHS compliant
No. of poles	2	Red (RAL3001/D)	(lead<4%)
02 2 poles	3	Orange(RAL2011/P)	In copper Alloy
03 3 poles	4	Yellow(RAL1018/A)	
...	5	Green(RAL6018/T)	
16 16 poles	6	Blue (RAL5015/A)	
	8	Grey(RAL7035/D)	
	9	White(RAL1102)	
	C	Green(RAL6018/U)	

mat'l. code		surface ASME Y14.5	tolerance ASME Y14.5	projection 	product family TERMINAL BLOCK
ltr	ecn no	dr	date		title TERMINAL BLOCK
				MM	RISING CLAMP,180D WIRE INLET,END STACKABLE
				scale	sheet 1 of 1 size
					T7xx43x000J0G A4
				type	CUSTOMER Drawing
sheet index	revision	A	1		