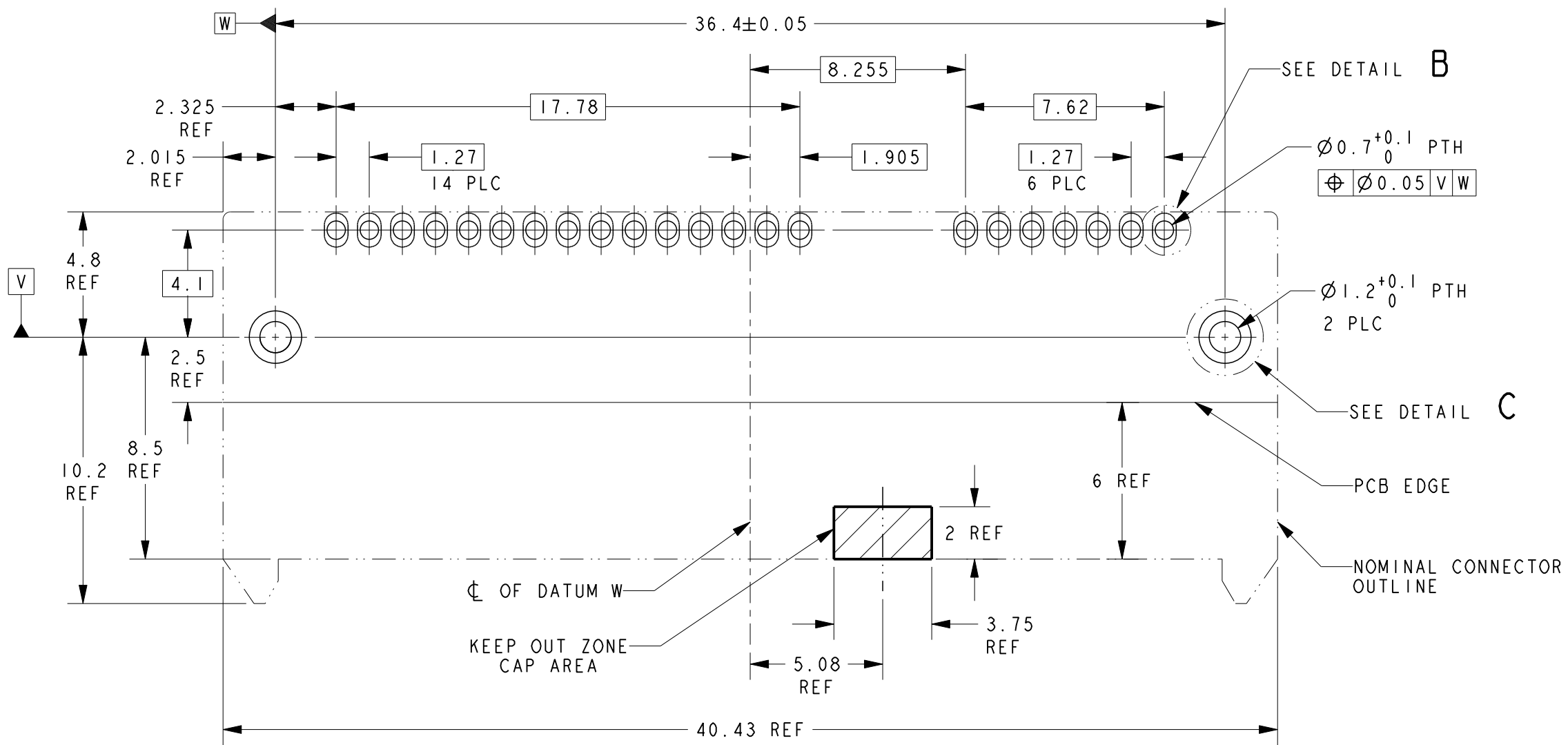
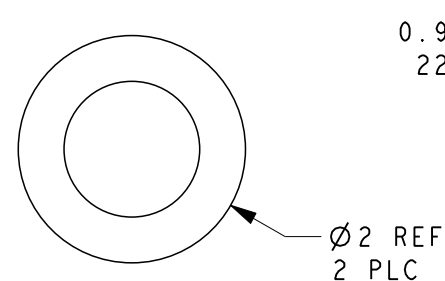
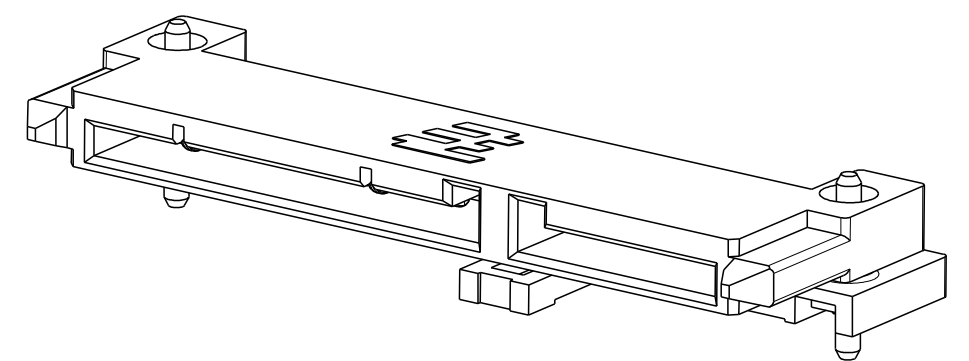


THIS DRAWING IS UNPUBLISHED.
 RELEASED FOR PUBLICATION .19
 BY AMP INCORPORATED. ALL RIGHTS RESERVED.

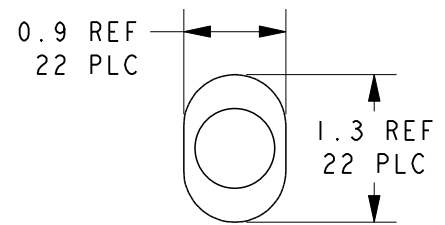
LOC	DIST	REVISIONS					
DY	-	P	LTR	DESCRIPTION	DATE	DWN	APVD
				SEE SHEET 1			



REFERENCE PCB LAYOUT
 REFERENCE PCB THICKNESS t=1.2
 SCALE 5:1



DETAIL C
 SCALE 15:1
 SEE SHEET 2 OF 2



DETAIL B
 SCALE 15:1
 SEE SHEET 2 OF 2

THIS DRAWING IS A CONTROLLED DOCUMENT FOR AMP INCORPORATED. IT IS SUBJECT TO CHANGE AND THE CONTROLLING ENGINEERING ORGANIZATION SHOULD BE CONTACTED FOR THE LATEST REVISION.		DWN	Tyco Electronics Corporation Singapore	
DIMENSIONS: mm		CHK	NAME REC ASSY A-FREE SATA H3.85	
TOLERANCES UNLESS OTHERWISE SPECIFIED: 0 PLC ±0.2 1 PLC ±0.2 2 PLC ±0.2 3 PLC ±0.2 4 PLC ±0.2 ANGLES ±3°		APVD	SIZE A3	
MATERIAL		PRODUCT SPEC 108-78274	CAGE CODE 00779	DRAWING NO C-1735849
FINISH		APPLICATION SPEC	WEIGHT x.XXg	SCALE 3:1
		WEIGHT	CUSTOMER DRAWING	SHEET 2 OF 3
				REV A

4

3

2

1

THIS DRAWING IS UNPUBLISHED.

RELEASED FOR PUBLICATION

.19

© COPYRIGHT 19

BY AMP INCORPORATED.

ALL RIGHTS RESERVED.

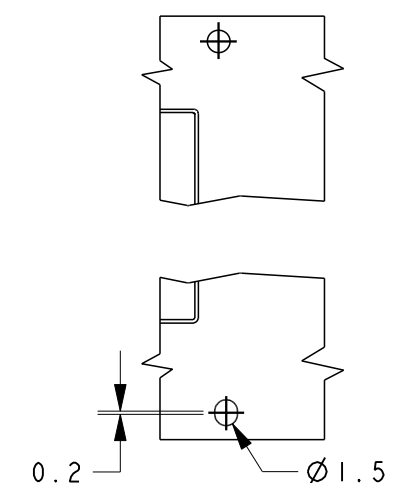
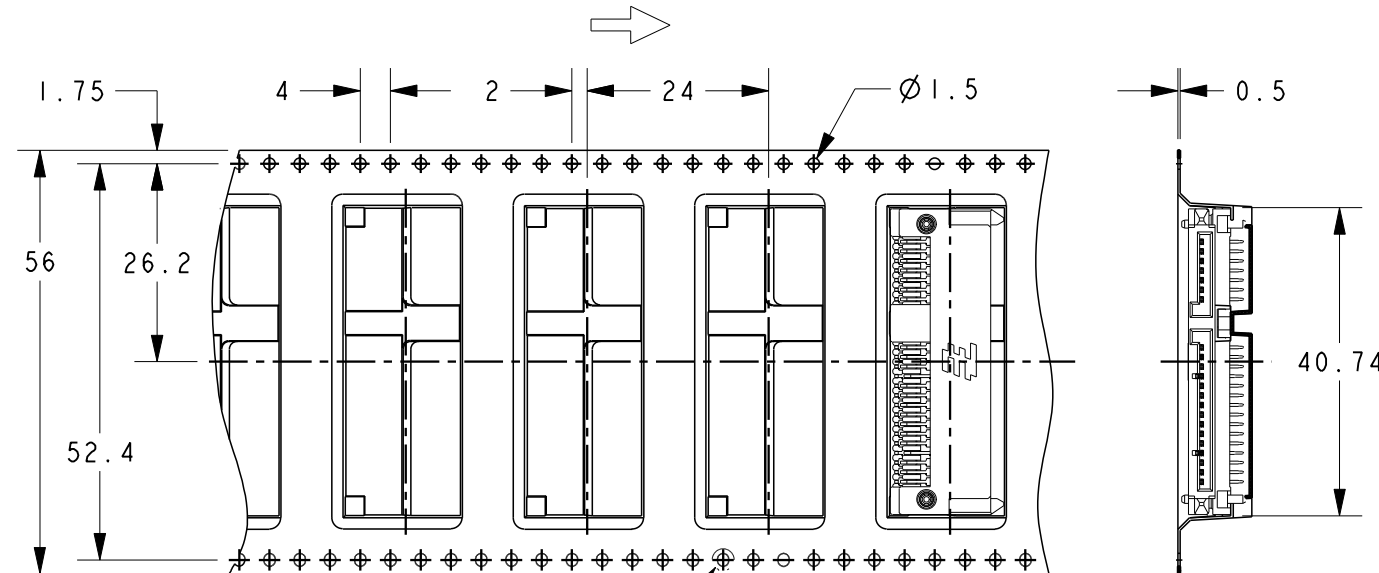
LOC
DY

DIST
-

REVISIONS

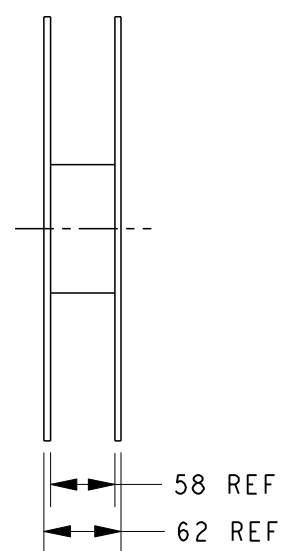
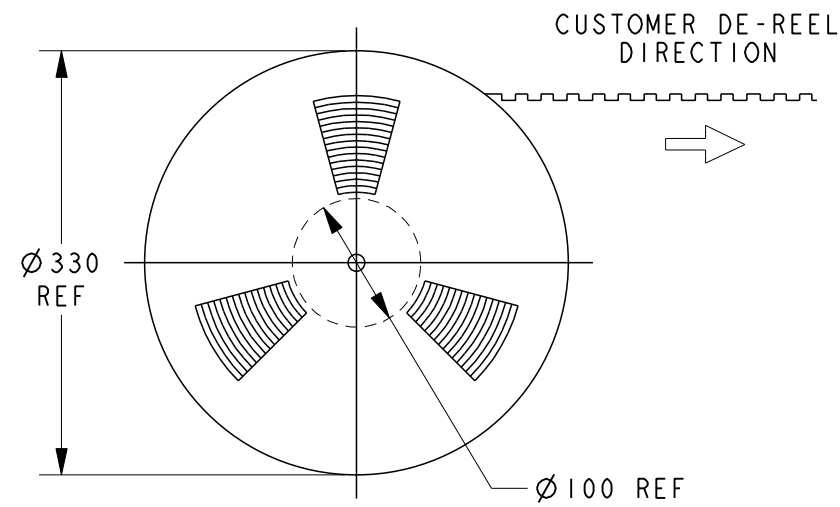
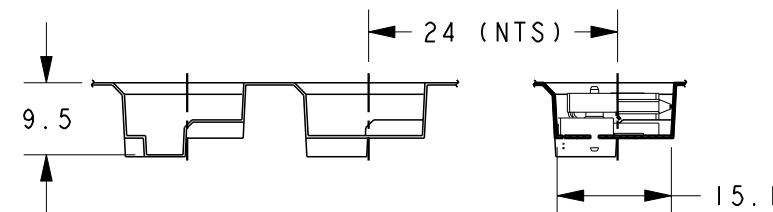
P	LTR	DESCRIPTION	DATE	DWN	APVD
		SEE SHEET 1			

CUSTOMER DE-REEL DIRECTION



DETAIL X
SCALE 5:1
SEE SHEET 3 OF 3

SEE DETAIL X



PEELING RESISTANCE: 0.2N~0.7N (20gf ~70gf)
 PEELING ANGLE: 165°~180°
 PEELING SPEED: 300mm/min
 QUANTITY PER REEL: 200 PIECES

THIS DRAWING IS A CONTROLLED DOCUMENT FOR AMP INCORPORATED. IT IS SUBJECT TO CHANGE AND THE CONTROLLING ENGINEERING ORGANIZATION SHOULD BE CONTACTED FOR THE LATEST REVISION.		DWN	Tyco Electronics Corporation Singapore		
DIMENSIONS: mm		CHK	NAME REC ASSY A-FREE SATA H3.85		
TOLERANCES UNLESS OTHERWISE SPECIFIED: 0 PLC ±0.2 1 PLC ±0.2 2 PLC ±0.2 3 PLC ±0.2 4 PLC ±0.2 ANGLES ±3°		APVD	SIZE	CAGE CODE	DRAWING NO
MATERIAL		PRODUCT SPEC	A3	00779	1735849
FINISH		APPLICATION SPEC	WEIGHT		
1		WEIGHT	CUSTOMER DRAWING		
		SCALE	SHEET	OF	REV
		3:1	3	3	A