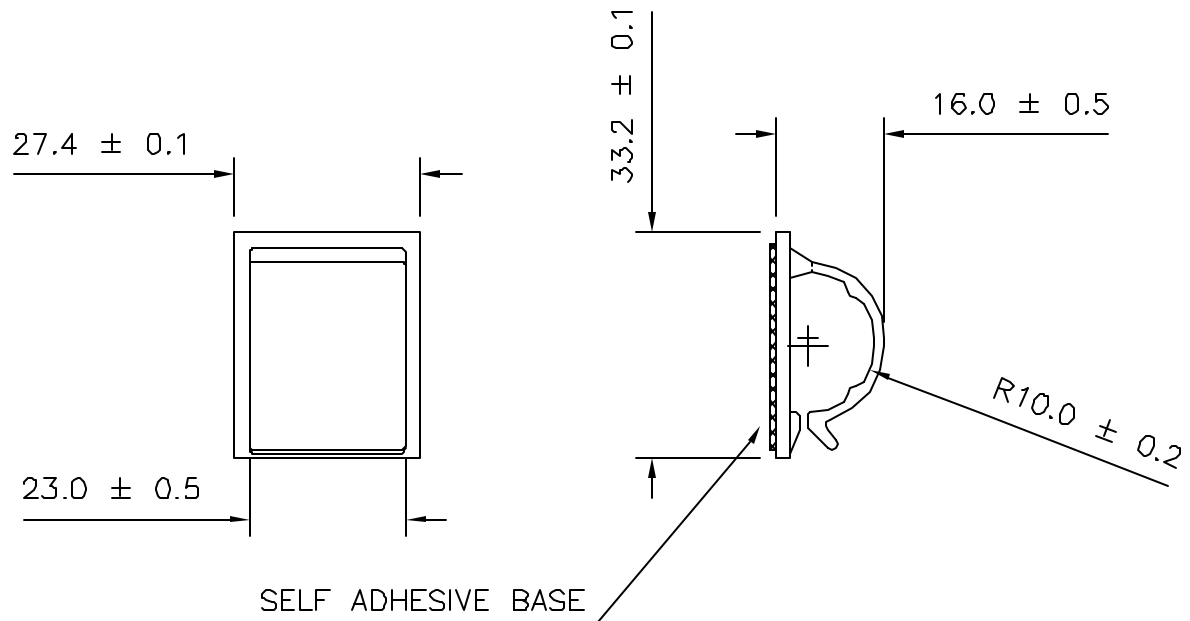


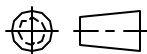
Revision level		Revision Record	Changed	Date	Approved	Date
Part	Drawing					
	01	UNS NUMBER ADDED TO TITLE.	A.LOMAX	20/06/01	S.BENTICK	20/06/01



Material P.A.66

Dimension without tolerances details to:

DIN 16901



The copyright of this drawing is reserved by HELLERMANN TYTON. It is issued on condition that it is not reproduced, copied or disclosed to a third party, either wholly or in part, without the consent of HELLERMANN TYTON.

Drawn C.HOLDEN 27/01/00
Approved S.BENTICK 27/01/00

HellermannTyton
Network Products Group
Sharston Green Business Park,
Manchester M22 4TY.
Tel: 0161 945 4181
Fax: 0161 947 2228

Scale 1:1

Title RB14
UNS 151-400

Drawing-No CD1171-01

Format A4

Sheet 1 of 1

Tolerances

PERFORMANCE SPECIFICATION