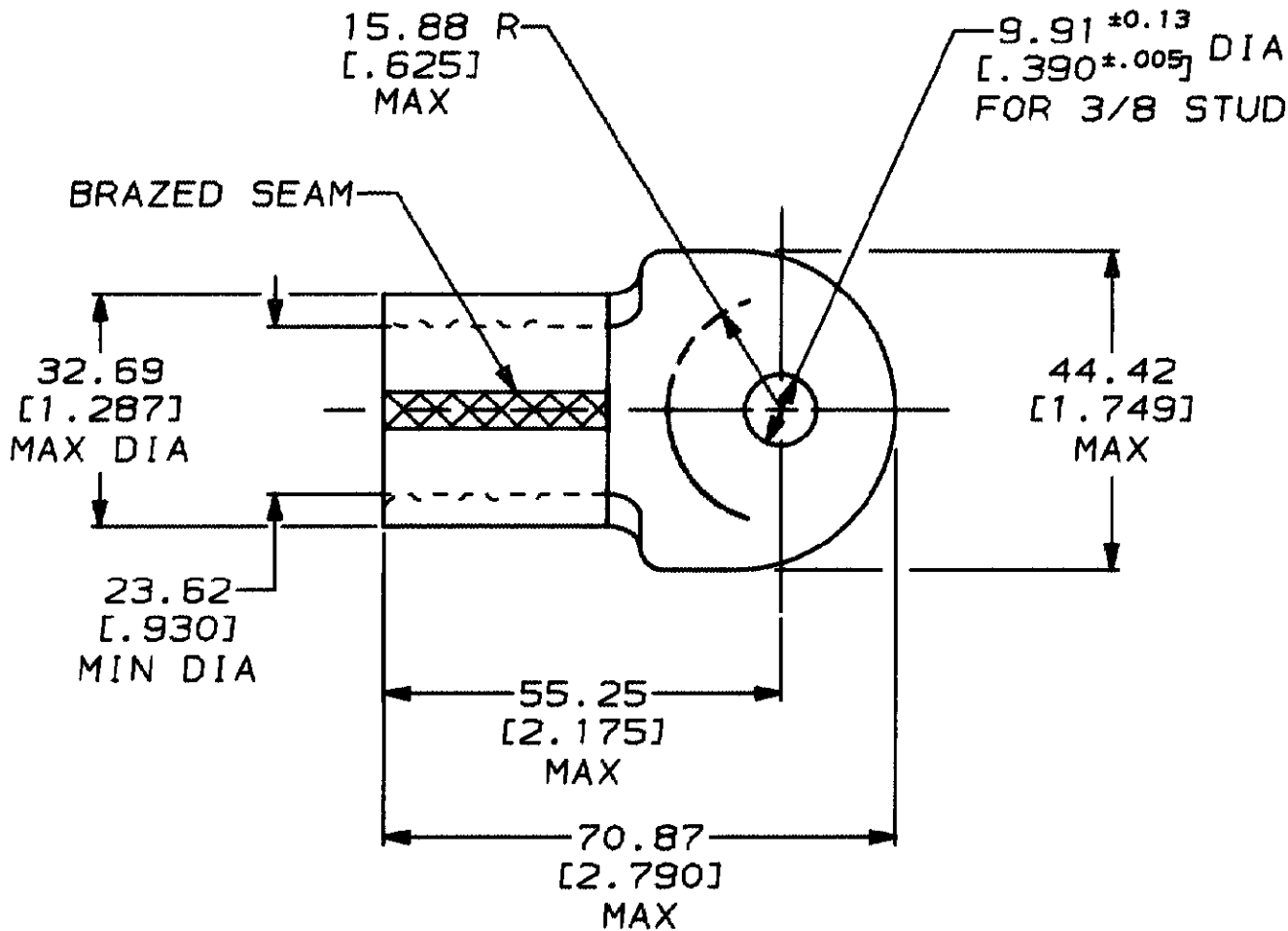


LOC	DIST	P	F	LTR	DESCRIPTION	DATE	APPROVED
G	14			F	REVISED & REDRAWN PER G-5803	6/12/92	DKS / AJK



THIS DRAWING IS UNPUBLISHED. BY AMP INCORPORATED. ALL INTERNATIONAL RIGHTS RESERVED. ,19

322262
PART NO

DO NOT SCALE PRINT. UNLESS SPECIFIED DIMENSIONS IN mm (IN) TOLERANCES ON: 2 PLC DEC * 0.20(.008) 3 PLC DEC * - ANGLES * -	DR 6/12/92 DK SCHRUM
MATERIAL COPPER ASTM B-152 ANNEALED	CHK 6/26/92 RD HEIM
FINISH TIN PLATE 0.00254 [.000100] MIN THK PER MIL-T-10727	APPD 6/26/92 AJ KAUFMAN
	APPD 6/26/92 CR RHOADS
	PRODUCT SPEC -
	APPLICATION SPEC -
	WEIGHT -

AMP AMP Incorporated Harrisburg, PA 17105-3608		
NAME TERMINAL, RING TONGUE, SOLISTRAND™ WIRE SIZE: 203.0mm ² [400] MCM		
SIZE A	CAGE CODE 00779	DRAWING NO C-322262
SCALE 1:1	SHEET 1 OF 1	