

THIS DRAWING IS UNPUBLISHED.

RELEASED FOR PUBLICATION

© COPYRIGHT

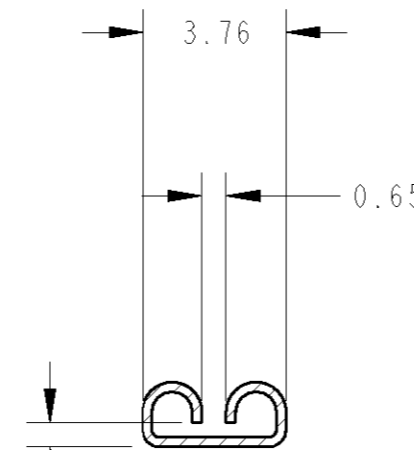
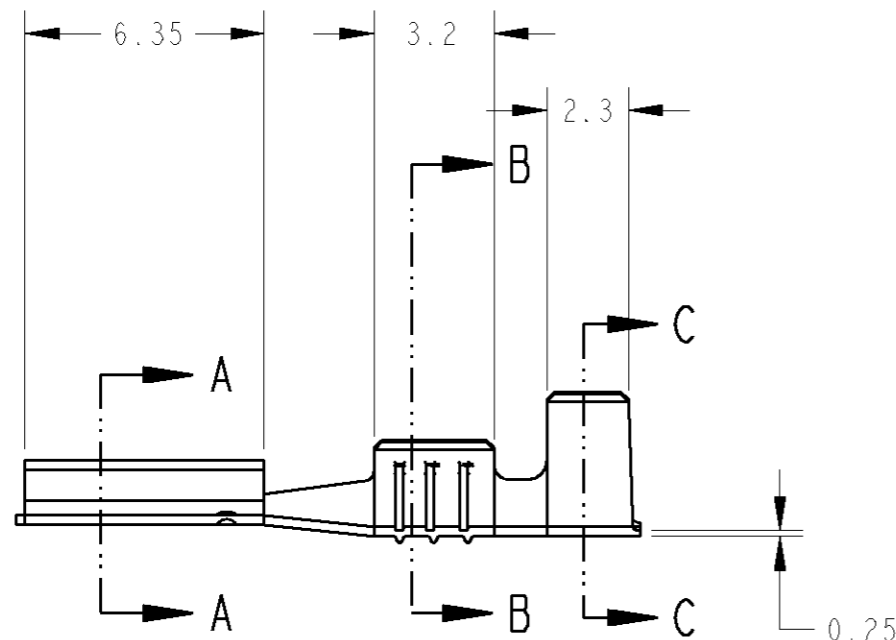
ALL RIGHTS RESERVED.

LOC
F

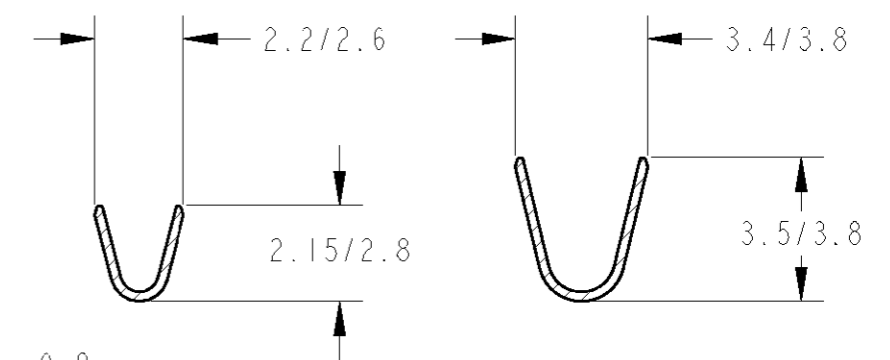
DIST
7

REVISIONS

P	LTR REV	DESCRIPTION MODIFICATIONS	DATE	DWN DESS.	APVD APP.
	A2	REVISED PER ECO-11-005140	01APR11	RK	HMR



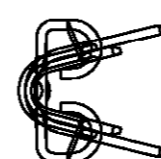
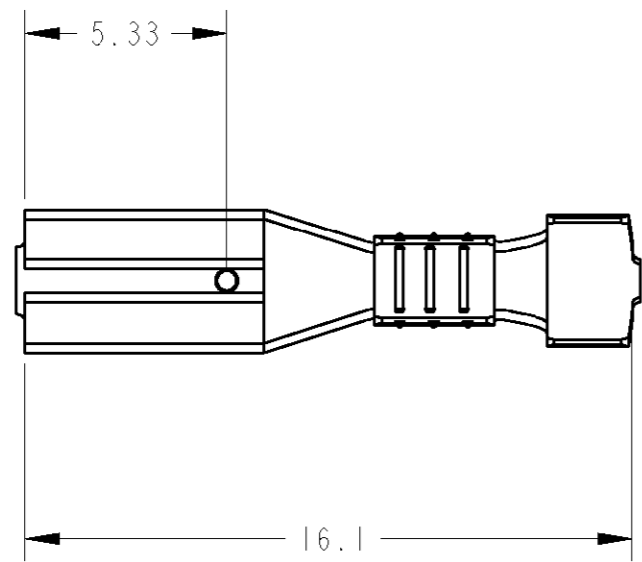
Entre-fer pour languette 2.8 x 0.8
Gap for tab 2.8 x 0.8 series.



COUPE A-A

COUPE B-B

COUPE C-C




2

OBSOLETE

1.5 2.5	0.3 1	0.8	POST ETAME	LAITON	141287-3	/	140825-3
1.5 2.5	0.3 1	0.8	PRE ETAME	LAITON	141287-2	140852-2	140825-2
1.5 2.5	0.3 1	0.8	BRUT	LAITON	141287-1	140852-1	140825-1
DIA. ISOLANT	SECTION mm ²	Ep. TAB	FINITION	MATIERE	REFERENCE VRAC PREFORME	REFERENCE VRAC	REFERENCE

1 PRODUIT LIVRE EN BANDE, PAS 17.9±0.1.
CONTINUOUS STRIP ON REEL, FEED 17.9±0.1.

2 **OBSOLETE PARTS: OBSOLETE CIS STREAMLINING PER D.RENAUD/D.SINISI**

DIMENSIONS: mm		TOLERANCES UNLESS OTHERWISE SPECIFIED: TOLERANCES NON SPECIFIEES (SUIV NB DE DECIMALES): 0 PLC /DEC: ±- 1 PLC /DEC: ±0.5 2 PLC /DEC: ±0.13 3 PLC /DEC: ±0.013 4 PLC /DEC: ±0.0001 ANGLES ±		DWN /DESSINE 09DEC97 Gérard ROBERT CHK /VERIFIE 09DEC97 Gérard ROBERT APVD /APPROUVE 09DEC97 Yves PETRONIN		 TE Connectivity .110 SERIES RECEPTACLE, FASTON		RESTRICTED TO RESERVE A	
MATERIAL MATIERE VOIR TABLEAU		FINISH FINITION VOIR TABLEAU		PRODUCT SPEC SPEC. PRODUIT -				APPLICATION SPEC SPEC. APPLICATION 114-35000	
				WEIGHT MASSE APPROX. -		CAGE CODE 00779		DRAWING NO No PLAN C-140825	
CUSTOMER DRAWING /PLAN CLIENT				UNIQUEMENT POUR REFERENCE		SCALE ECHELLE 5:1		SHEET FEUILLE OF DE REV A2	