

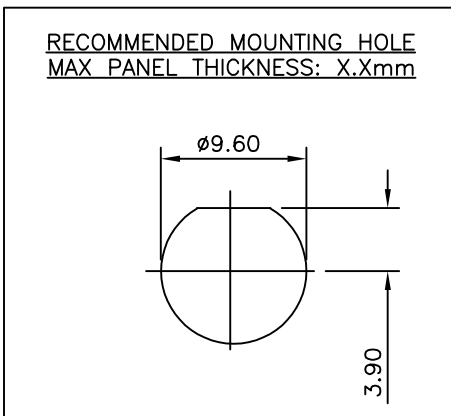
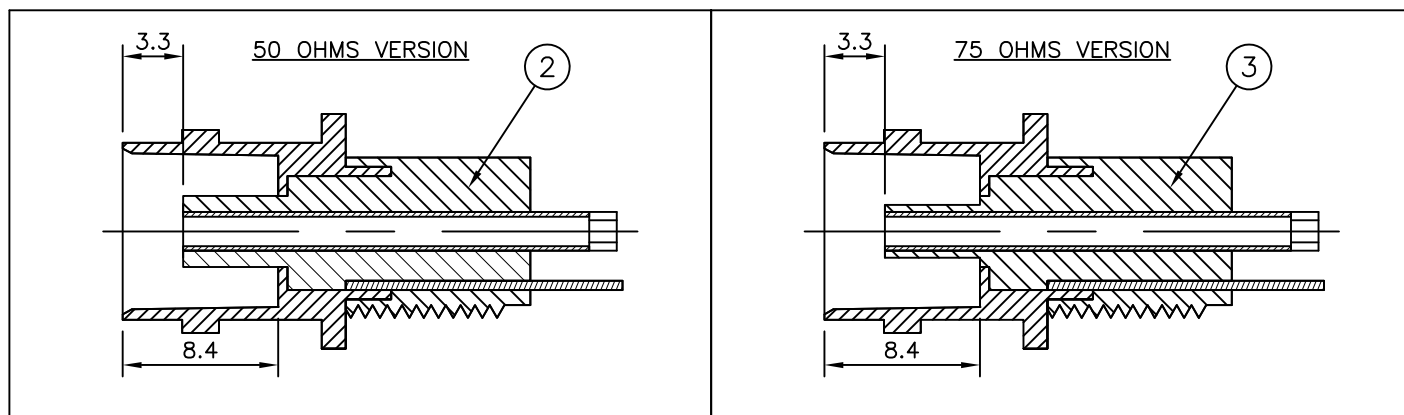
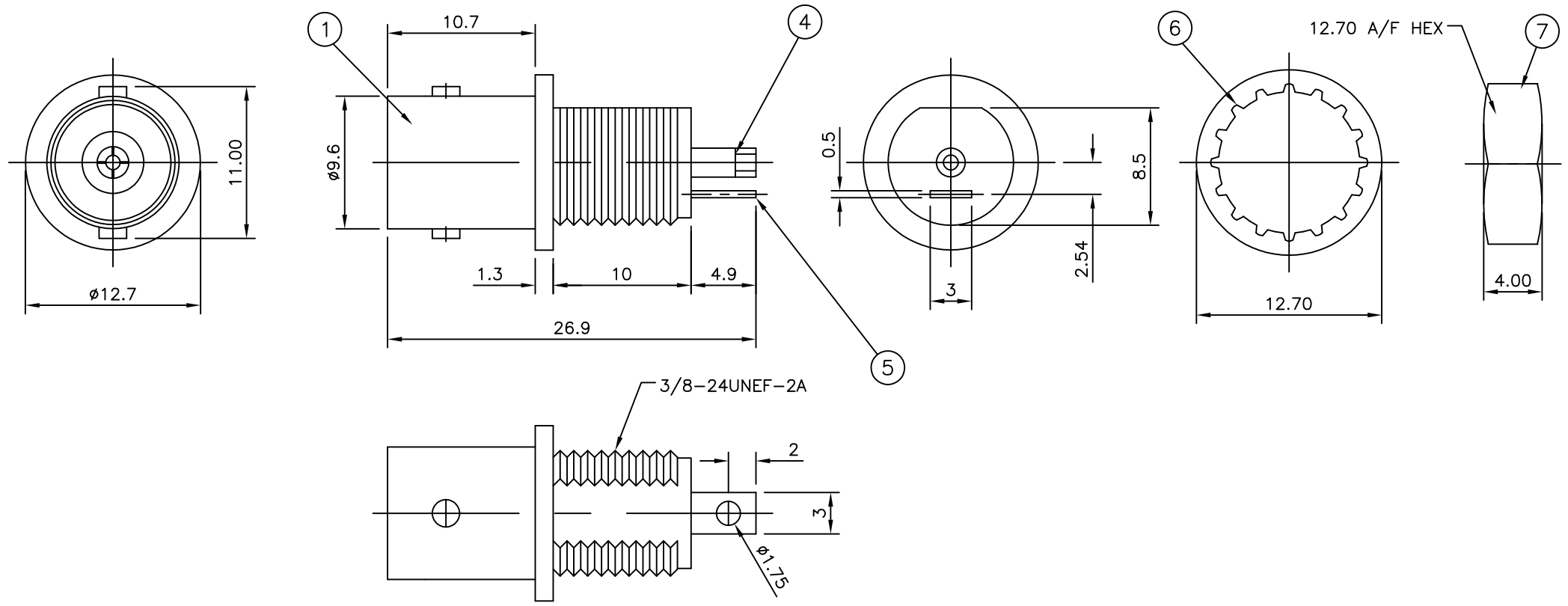
THIS DRAWING IS UNPUBLISHED. RELEASED FOR PUBLICATION AUGUST, 2005.

© COPYRIGHT 2005 By - ALL RIGHTS RESERVED.

LOC	DIST	REVISIONS			
P	LTR	DESCRIPTION	DATE	DWN	APVD
E	B	B1	REVISED PER ECO-11-005033	31MAR11	RK HMR
		C	REVISED PER ECO-12-002190	03FEB12	TITAN MARTIN

NOTES

- 1 100 TRAY PACK IN ACCORDANCE WITH AMP SPEC 107-3275
- 2 SINGLE PACK IN ACCORDANCE WITH AMP SPEC 107-3275
- 3 Au PLATING OVER Ni PLATING OVER Cu PLATING
- 4 Ni PLATING OVER Cu PLATING
- 5. FOR TECHNICAL DATA REFER TO YOUR LOCAL TE CONNECTIVITY SALES OFFICE
- 6. ALL DIMENSIONS ARE NOMINAL FOR REFERENCE ONLY UNLESS OTHERWISE STATED



OBSOLETE		OBSOLETE		QUANTITY PER ASSY	PARTS LIST
1	1	1	1	BRASS	HEX NUT 7
1	1	1	1	STEEL	LOCK WASHER 6
1	1	1	1	BRASS	GROUND TAG 5
1	1	1	1	PHOS BRONZE	CONTACT 4
	1	-	-	PBT POLYESTER	INSULATOR 3
	-	1	1	PBT POLYESTER	INSULATOR 2
1	1	1	1	ZINC ALLOY	BODY 1
5--3	5--2	5--1	5--0	MATERIAL	DESCRIPTION ITEM

THIS DRAWING IS A CONTROLLED DOCUMENT.

DWN RITA ZUO 24 Feb 09  
CHK ANSON MA 24 Feb 09  
APVD BOB ZHAO 24 Feb 09

PRODUCT SPEC 108-112000  
APPLICATION SPEC

STE TE Connectivity

NAME BNC INSULATED BULKHEAD SOCKET FRONT MOUNT

SIZE A3 CAGE CODE 00779 DRAWING NO C-1634504 RESTRICTED TO -

WEIGHT -

CUSTOMER DRAWING SCALE NTS SHEET 1 OF 1 REV C

DIMENSIONS:	TOLERANCES UNLESS OTHERWISE SPECIFIED:
mm	
0 PLC	± 0.5
1 PLC	± 0.3
2 PLC	± 0.2
3 PLC	± -
4 PLC	± -
ANGLES	± -
MATERIAL	FINISH
SEE TABLE	SEE TABLE