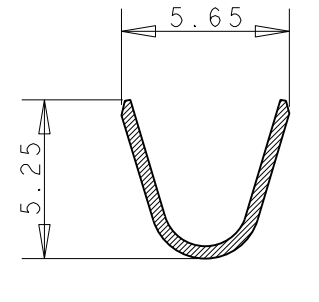
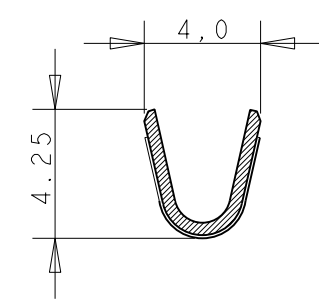
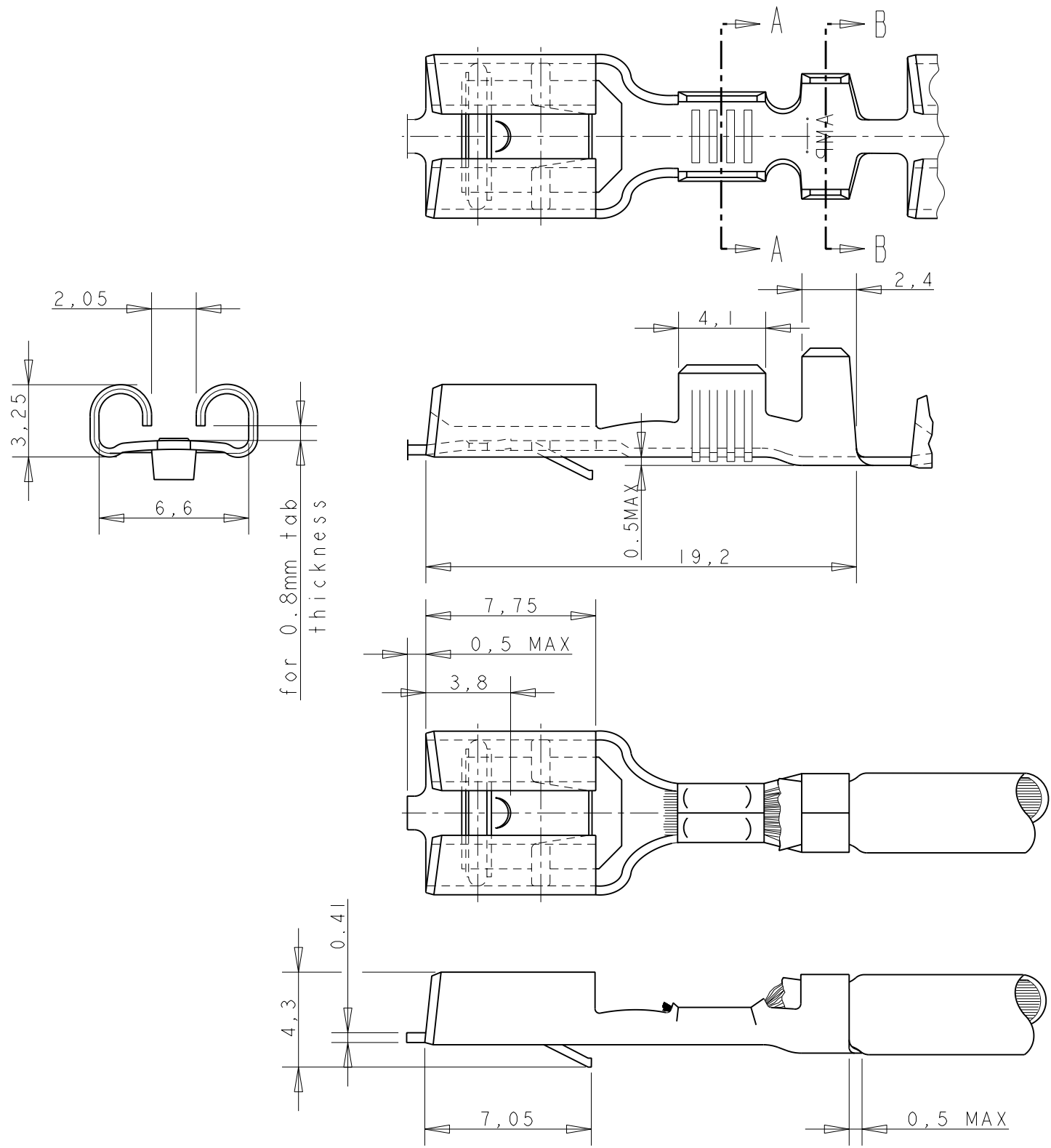


LOC	DIST	REVISIONS					
		P	LTR	DESCRIPTION	DATE	DWN	APVD
A1	-		H2	REVISED PER ECO-11-005294	21MAR2011	RK	HMR

NOTES:

- 1 FOR USE ON MINIATURE APPLICATORS (LEFT-RIGHT FEED) AND STANDARD APPLICATORS (RIGHT-LEFT FEED).
- 2 FOR USE ON MINIATURE APPLICATORS (AMP-O-MATOR APPLICATION). (LEFT-RIGHT FEED).
- 3 OBSOLETE PARTS: OBSOLETE CIS STREAMLINING PER D.RENAUD/D.SINISI



SECTION A-A

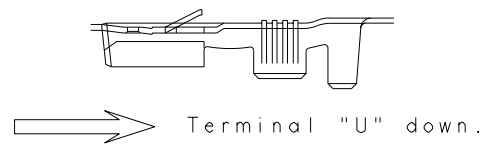
SECTION B-B

OBSOLETE		FINISH	MATERIAL	PART NUMBER
3	1	PRE-TINPLATED	PH.BRONZE	6-160446-8
	1	PRE-TINPLATED	BRASS	6-160446-7
	1 2	TINPLATED	PH.BRONZE	6-160446-6
	1 2	SILVERPLATED	PH.BRONZE	5-160446-8
	1 2	SILVERPLATED	BRASS	5-160446-6
	1	TINPLATED	BRASS	5-160446-5
	1	UNPLATED	BRASS	5-160446-4
	1	TINPLATED	PH.BRONZE	5-160446-2
	1	UNPLATED	PH.BRONZE	5-160446-1

GENERAL TOLERANCES ±0.3

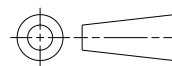
WIRE RANGE :
1,0-2,5 mm²
INSULATION RANGE :
3,0-4,1mm DIA.

DIRECTION OFF TOP OF REEL



THIS DRAWING IS A CONTROLLED DOCUMENT.

DIMENSIONS: mm



MATERIAL SEE TABLE

TOLERANCES UNLESS OTHERWISE SPECIFIED:

0 PLC	±·
1 PLC	±·
2 PLC	±·
3 PLC	±·
4 PLC	±·
ANGLES	±1°
FINISH	SEE TABLE

DWN J.V.LIEMPT. 21MARI992

CHK A.BIJNEN.

APVD L.V.SOEST.

PRODUCT SPEC

APPLICATION SPEC

WEIGHT

CUSTOMER DRAWING



NAME .250 SRS FASTIN-ON RECEPTACLE

SIZE A3 CAGE CODE 00779 DRAWING NO C-160446 RESTRICTED TO

SCALE SHEET OF REV H2