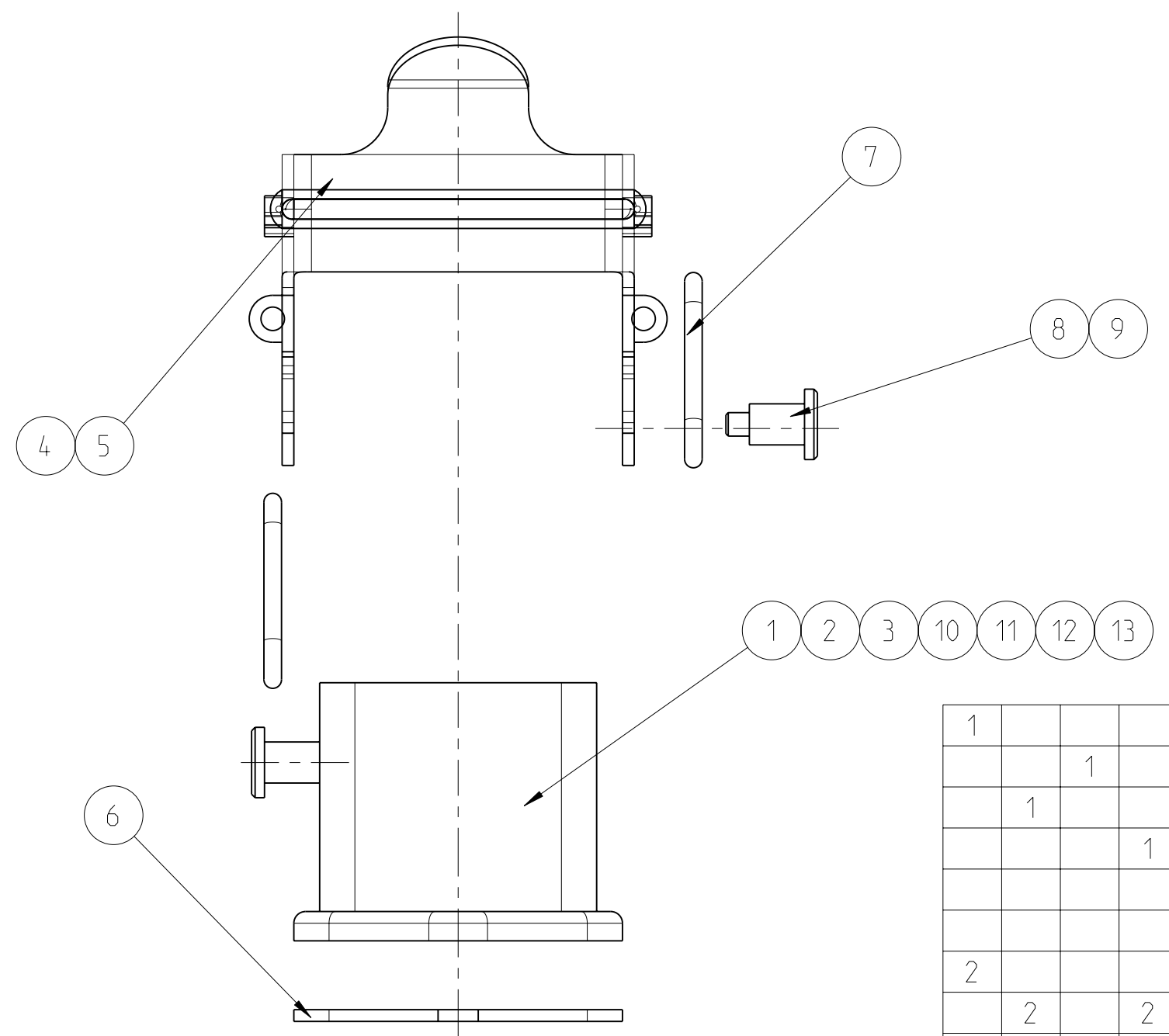


THIS DRAWING IS UNPUBLISHED. RELEASED FOR PUBLICATION
 © COPYRIGHT - ALL RIGHTS RESERVED.

LOC	DIST	REVISIONS			
P	LTR	DESCRIPTION	DATE	DWN	APVD
A11		REVISED PER ECO-11-005150	31MAR2011	RK	HMR



- NOTES
- 1 PART SHALL BE FREE AND CLEAN OF BURRS AND OTHER FOREIGN MATERIAL
 - 2 PACKAGING: QUANTITY 10 PIECES
 - 3 SPECIAL PACKAGING: PACKAGING UNIT: 100 PIECES

QTY	QTY	QTY	QTY	QTY	QTY	QTY	QTY	QTY	QTY	QTY	DESCRIPTION	MATERIAL	SURFACE	COLOR	ITEM	NOTES
1											SURFACE MOUNTED HOUSING BOTTOM ENTRY	ZINC DICAST	CHROMOLUX-K-BLUE CHR.	METALLIC SILVER	15	
	1										SURFACE MOUNTED HOUSING BOTTOM ENTRY	ZINC DICAST		BLACK	14	
		1									SURFACE MOUNTED HOUSING BOTTOM ENTRY	ZINC DICAST		BLUE	13	
			1								SURFACE MOUNTED HOUSING BOTTOM ENTRY	ZINC DICAST	CHROMOLUX-K-BLUE CHR.	BLANC	12	
				1							SURFACE MOUNTED HOUSING BOTTOM ENTRY	ZINC DICAST		GREY	11	
						1					SURFACE MOUNTED HOUSING BOTTOM ENTRY	ZINC DICAST		WITHOUT VARNISH	10	
2							2	2			FIXING BOLT	STAINL. STEEL			9	
	2								2		FIXING BOLT	STEEL	ZINC PLATED	BLACK	8	
2	2						2	2	2		CLIP SPRING	STAINL. STEEL			7	
	1	1	1	1	1	1	1	1	1		FLANGE SEAL	NEOPRENE		BLACK	6	
1									1	1	SIDE CLIP	STAINL. STEEL			5	
	1									1	SIDE CLIP	STEEL	ZINC PLATED	BLUE	4	
									1		SURFACE MOUNTED HOUSING BOTTOM ENTRY	ZINC DICAST		WHITE ALU.	3	
										1	SURFACE MOUNTED HOUSING BOTTOM ENTRY	ZINC DICAST		BLACK	2	
									1		SURFACE MOUNTED HOUSING BOTTOM ENTRY	ZINC DICAST		GREY	1	

QTY	QTY	QTY	QTY	QTY	QTY	QTY	QTY	QTY	QTY	QTY	DESCRIPTION	MATERIAL	SURFACE	COLOR	ITEM	NOTES
											HA.3.AG-LB					
											HA-K.3.AG-LB					
											HA.3.AG-LB-SO					
											HA-K.3.AG-LB					
											HA.3.AG-LB.KM					
											HA.3.AG					
											HA-EMV.3.AG-LB					
											HA.3.AG-LB					
											HA.3.AG-LB					
											HA-EMV-K.3.AG-LB					

THIS DRAWING IS A CONTROLLED DOCUMENT.		DWN R.SCHNEIDER 09MAR2010	TE Connectivity	
		CHK T.SCHNURPFIL 09MAR2010		
DIMENSIONS: mm	TOLERANCES UNLESS OTHERWISE SPECIFIED:	APVD -	NAME SURFACE MOUNTED HOUSING BOTTOM ENTRY ASSY HA.3	
	0 PLC ± 1 PLC ± 2 PLC ± 3 PLC ± 4 PLC ± ANGLES ±°	PRODUCT SPEC -	SIZE A2	
MATERIAL -	FINISH -	APPLICATION SPEC -	CAGE CODE 00779	DRAWING NO 1102105
		WEIGHT -	RESTRICTED TO -	
		CUSTOMER DRAWING	SCALE 5:1	SHEET 1 OF 1