

REVISIONS					
REV	ECO	DESCRIPTION	DATE	BY	APPR
A1	-	RELEASE NEW DRAWING	Aug 31, 2016	Tod	Tommy
A2	-	UPDATE DRAWING	Dec 15, 2016	Regan	Tommy

NOTES: UNLESS OTHERWISE SPECIFIED

1. MATERIAL:

- 1.1 HOUSING: THERMOPLASTIC UL 94V0
- 1.2 SEAL: SILICONE RUBBER
- 1.3 POWER CONTACT: COPPER ALLOY, SILVER PLATED

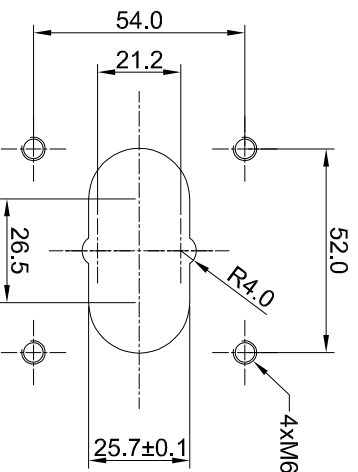
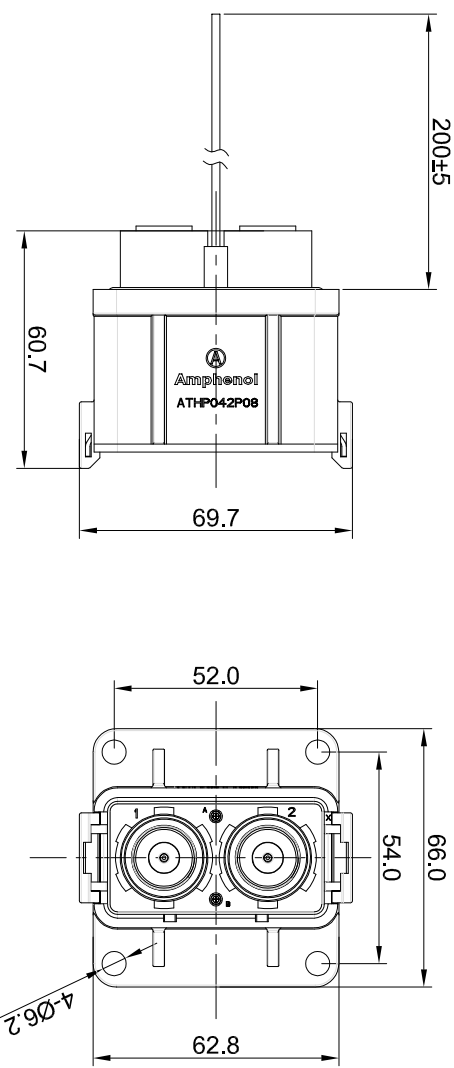
2. SPECIFICATIONS:

- 2.1 CURRENT RATING: 50mm²@180 AMPS
- 2.2 VOLTAGE RATING: 1000 V AC/DC
- 2.3 OPERATING TEMPERATURE: -40°C TO +130°C
- 2.4 DIELECTRIC WITHSTANDING VOLTAGE: LESS THAN 2 MILLIAMPS CURRENT LEAKAGE @ 3000 VOLTS AC.
- 2.5 INSULATION RESISTANCE: 500 MEGOHMS MIN@25°C.
- 2.6 DEGREE OF PROTECTION: IP67 (MATED CONDITION)
- 2.7 MATING CYCLE DURABILITY: 100 CYCLES
- 2.8 ROHS COMPLIANT

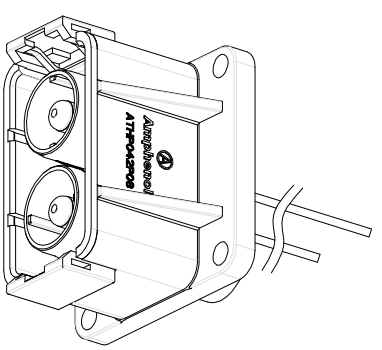
- 3. SIGNAL CONTACT: RT SERIES 16# PIN CONTACT
- POWER CONTACT: SC000384-8

4. ALL DIMENSIONS ARE FOR REFERENCE USE ONLY.

Wiring Diagram



RECOMMEND PANEL CUT



QUANTITY	PART NUMBER	DESCRIPTION	ITEM		
MATERIALS LIST					
UNLESS OTHERWISE SPECIFIED					
1) All dimensions are in millimeters.					
2) Tolerances are as follows:					
DRAWN:	Regan	DATE:	Dec 15, 2016		
CHECKED:	Regan	DATE:	Dec 15, 2016		
3) Note reference =		APPROVAL:			
MATERIAL SPECIFICATIONS:		CUSTOMER:			
PROCESS SPECIFICATIONS:		THIS DRAWING IS SUPPLIED FOR INFORMATION ONLY. DESIGN FEATURES, SPECIFICATIONS AND PERFORMANCE DATA ARE THE PROPERTY OF AMPHENOL CORPORATION. NO RIGHTS OR PERMISSIONS ARE GRANTED FOR REPRODUCTION OR TRANSMISSION IN ANY FORM OR BY ANY MEANS, ELECTRONIC OR MECHANICAL, INCLUDING PHOTOCOPYING, RECORDING, OR BY ANY INFORMATION STORAGE AND RETRIEVAL SYSTEMS. DIMENSIONS ARE SUBJECT TO USUAL MANUFACTURING VARIATIONS.		ATHP, RECEPTACLE 2 PIN 8MM FLANG MOUNTING WITHOUT EMC SHIELDING	
SCALE:	NONE	SHEET:	1 OF 1		

Amphenol

Site Systems - www.amphenol-site.com
44724 Wadley Drive
Clinton Township, MI 48036