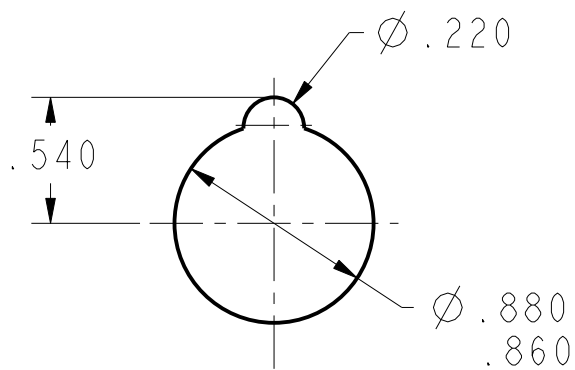
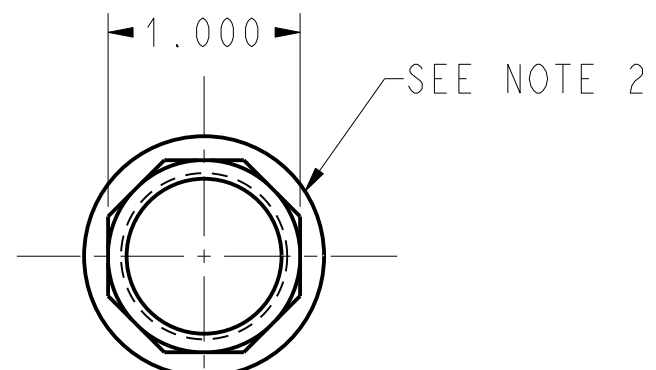


HONEYWELL PART NUMBER
89477

REV	DOCUMENT	CHANGED BY	CHECK
A	0003744	NM 13APR04	AK

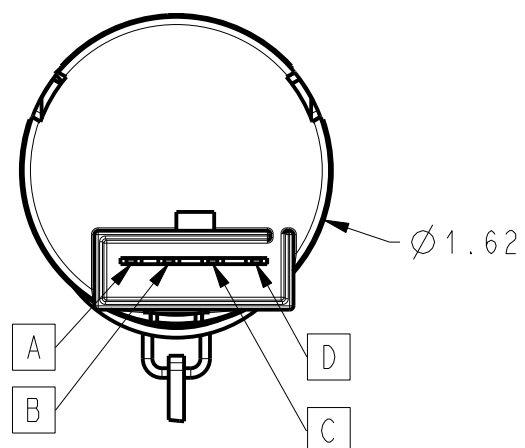


PROPOSED MOUNTING HOLE

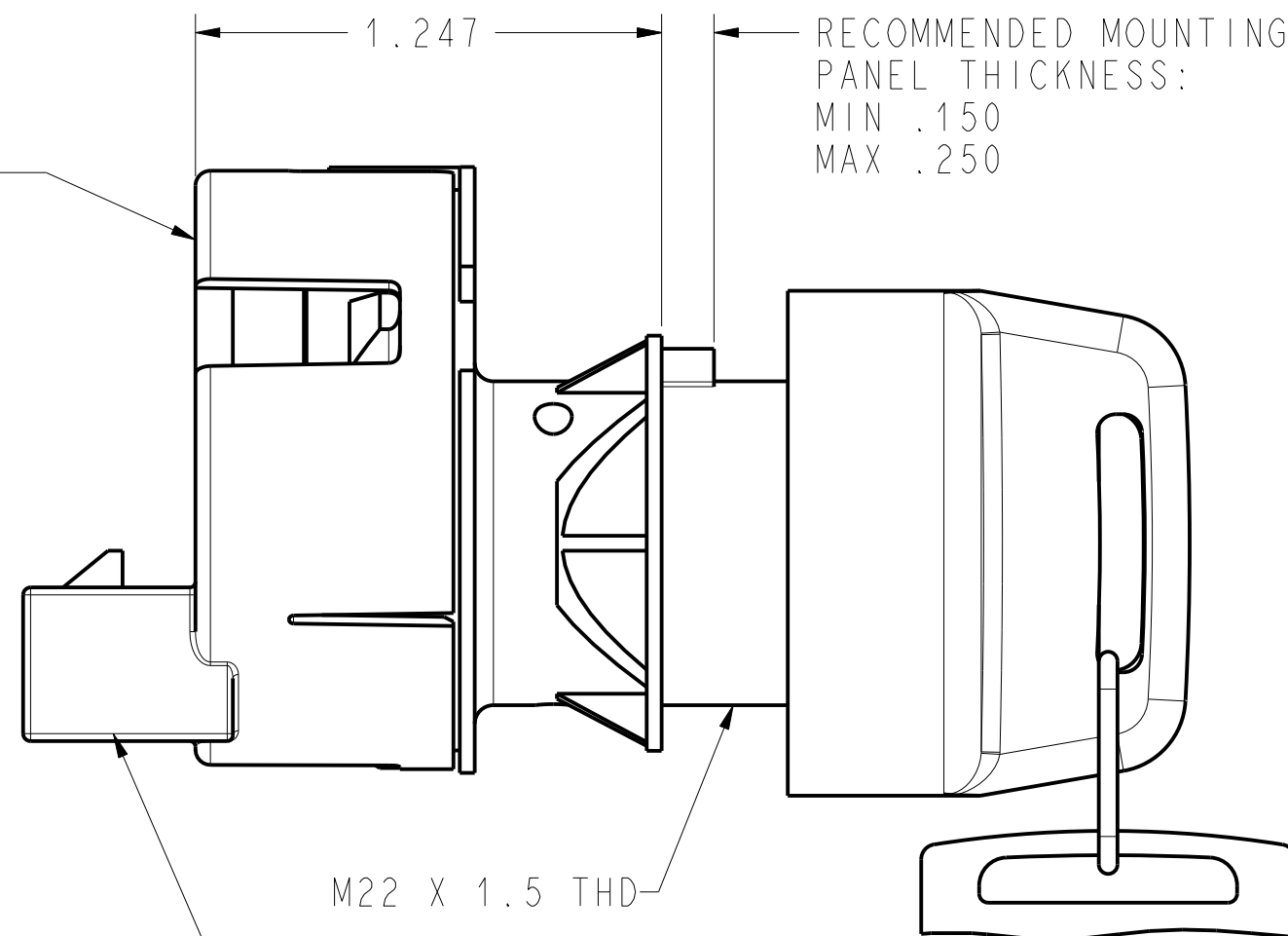


MOUNTING NUT (81942)
TORQUE NUT TO 50 IN. LBS. MAX

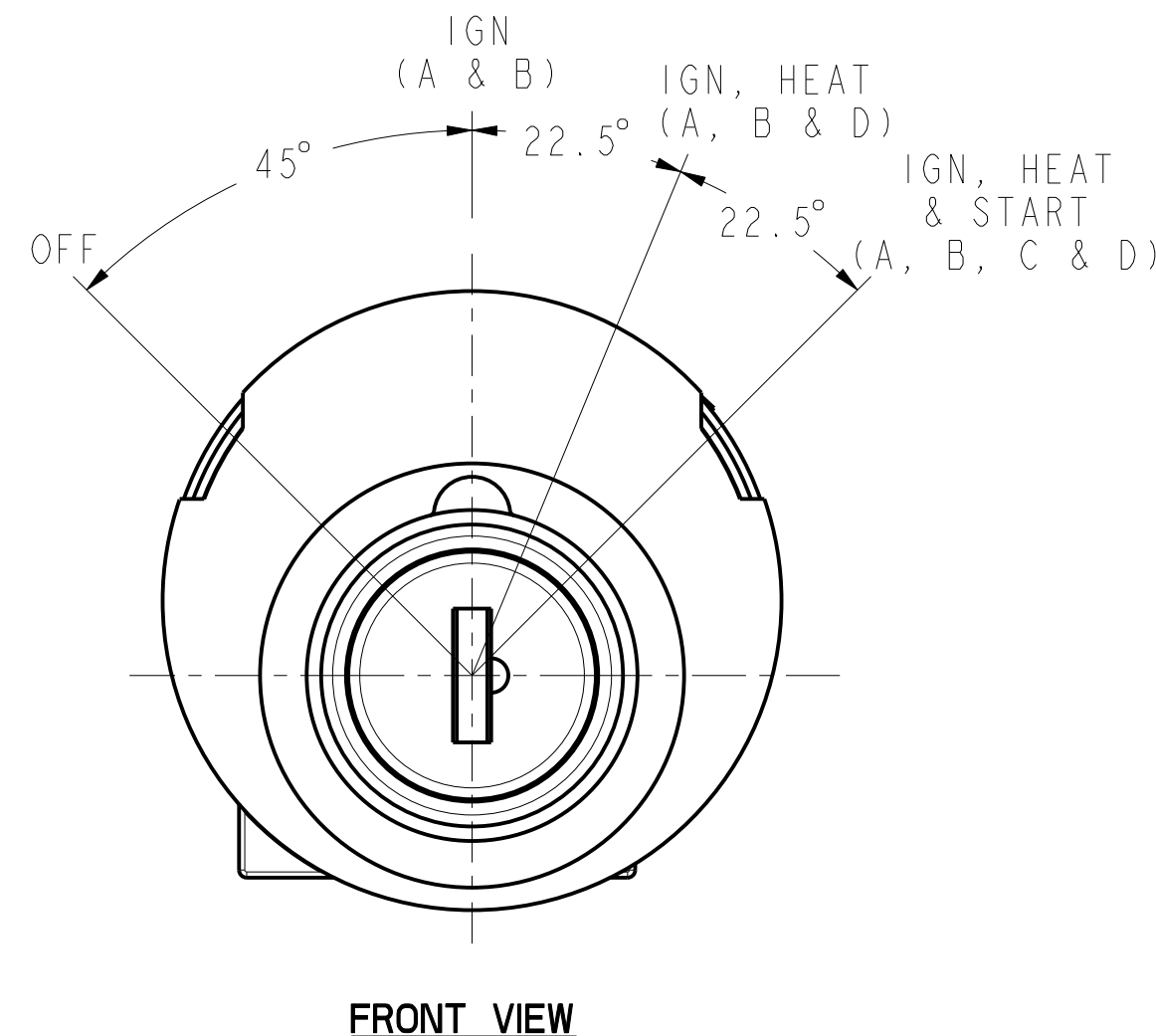
HONEYWELL PART NO., DATE CODE (SEE NOTE 5) AND OPERATORS CLOCK NUMBER TO BE PRINTED ON LABEL AND AFFIXED TO THIS SURFACE



VIEW OF TERMINALS
SCALE 1:1



MATING CONNECTOR
DELPHI /PACKARD ELECTRIC
280 SERIES, 4 WAY METRIPACK
HOUSING: PN 12052856
TERMINALS : PN 12034046



FRONT VIEW

NOTES

- OFF/IGN/IGN,HEAT/IGN, HEAT,START (RECOIL BACK TO IGN). KEY REMOVABLE IN OFF POSITION.
- NUT NOT INSTALLED, BUT IS SHIPPED ALONG WITH SWITCHES PER PACK OP P/N 994400.
- MAXIMUM ELECTRICAL RATING: 12 VOLT - 20 AMP
- MATERIAL SPECIFICATION:
FRONT HOUSING - 40% MINERAL FILLED NYLON
BACK HOUSING - POLYPROPYLENE
NUT - 40% MINERAL FILLED NYLON
- DATE CODE IS A 5 DIGIT NO., 1ST AND 2ND DIGITS REPRESENT THE YEAR, THE NEXT 3 DIGITS REPRESENT THE DAY.
- KEY CODE FOR SWITCH IS 6896.

SIM. TO: 88423

CUSTOMER PRINT

DESIGN UNITS: INCH TOLERANCES UNLESS NOTED:	DRAWN NM 13 APR 04	Honeywell	
NO PLACE X ± 0.040 ONE PLACE .X ± 0.020 TWO PLACE .XX ± 0.010 THREE PLACE .XXX ± 0.005 FOUR PLACE .XXXX ± 0.0005 ANGLES X ± 2	CHECK AK 13 APR 04		
THIRD ANGLE PROJECTION	INTERPRET PER ASME Y14.5M-1994 OTHER HONEYWELL ENGINEERING STANDARDS MAY APPLY		SIZE C
	Pro/ENGINEER	3D SCALE 2:1	DRAWING NAME 89477
			REV A
			SHEET 2 OF 2