

**Materials**

1. Brass, nickel plating, 1µ minimum
2. Nylon PA46, black

**Electrical requirements**

Dielectric strength: 1 min @ 250 Vac  
 Insulation resistance: 100 MΩ @ 500 Vdc  
 Contact resistance: 50 mΩ or less

**Mechanical requirements**

Insertion force: 0.3 ~ 4 kgf  
 Withdrawal force: 0.3 ~ 4 kgf  
 Durability: 5000 mating cycles while maintaining insertion force of 0.3 ~ 4 kgf; withdrawal force of 0.3 ~ 4 kgf; contact resistance of 50mΩ or less.

**Environmental tests**

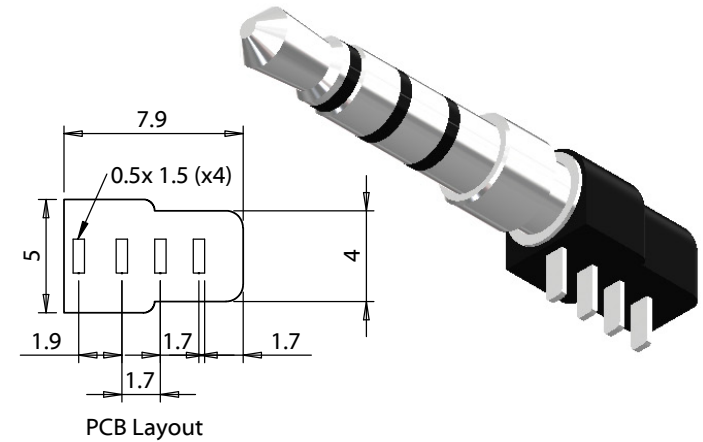
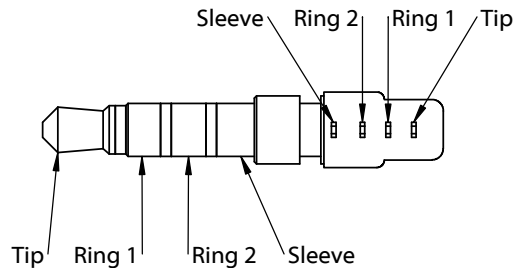
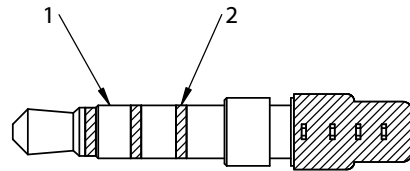
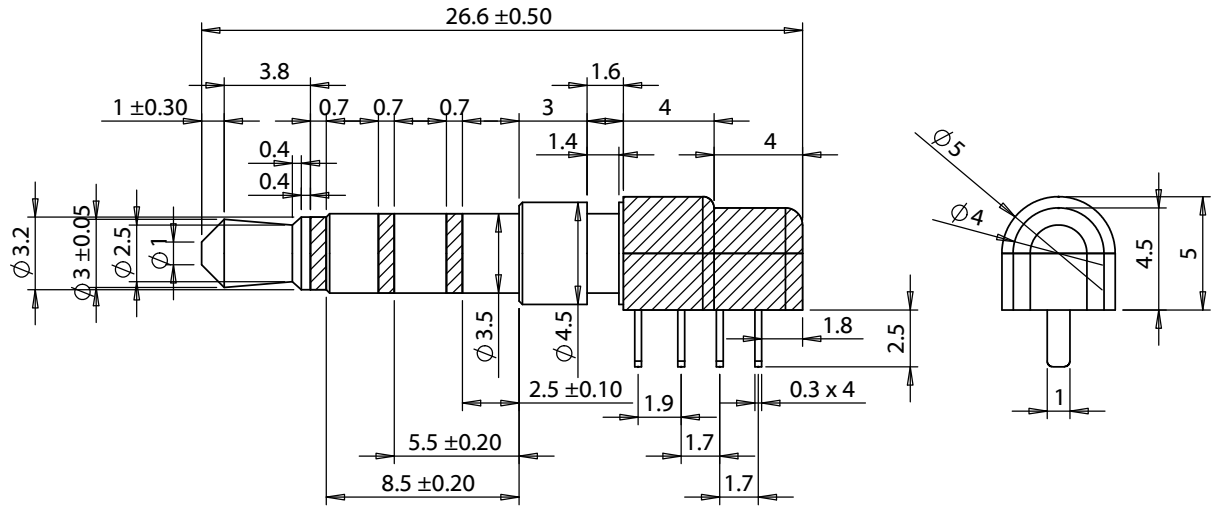
Damp test: 40 °C, RH 90-100% for 96 hrs. Cool to ambient and recover for 2 hours. Maintain dielectric strength of 500 Vac for 1 min, insulation resistance of 50 MΩ @ 500 Vdc minimum.

Dry test: 70 °C, RH 70-85% for 96 hrs. Cool to ambient and recover for 2 hours. Maintain contact resistance of 100 mΩ or less with no looseness or deformation.

Salt spray test: 35 ±2 °C, RH 90-95%, 5% NaCl mist for 24 hrs. Wash parts after test. Maintain mechanical requirements and a contact resistance of less than 100 mΩ.

**Operating range**

-25 to 70 °C



REVISION	DATE	DESCRIPTION
A	7/9/2015	Initial release
A1	10/27/2015	Added PCB dimensioning and wiring information

PREPARED:  
 VERIFIED:  
 DIMENSIONS ARE IN MILLIMETERS  
 TOLERANCES:  
 X: ± 0.5 mm  
 X.X: ± 0.3 mm  
 X.XX: ± 0.05 mm

NOTES  
 RoHS and REACH compliant  
 Drawing in third angle projected  
 DESCRIPTION:  
 Connector, 4C audio plug, 3.5xL26.6 mm, brass, nickel plated, PCB mount

**TENSILITY**  
 20802 Sockeye Place #130  
 Bend, OR 97701 USA  
 tel 541.323.3228 fax 541.323.4202  
 800 877.670.7118 www.tensility.com

SIZE	PART NUMBER
A	54-00035

SCALE: 1:1 SHEET 1 OF 1