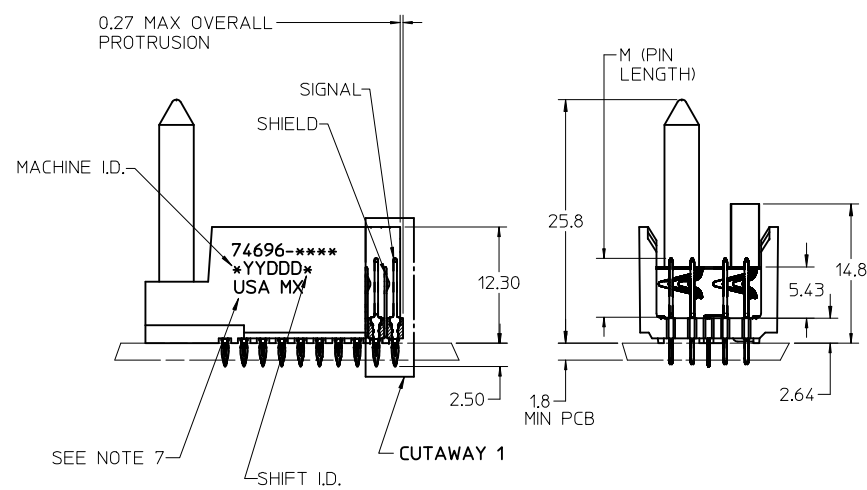
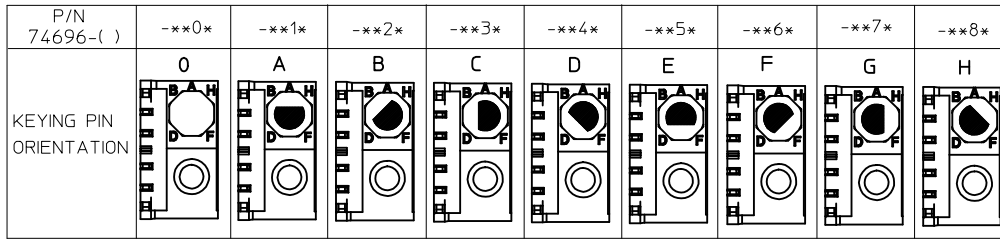


THE PRIMARY CARTON WITH A LABEL STATING "ELV AND RoHS COMPLIANT" IS LEAD FREE. CARTONS WITHOUT THIS LABEL MAY CONTAIN LEAD.



- NOTES:
1. MATERIAL: HOUSING -LIQUID CRYSTAL POLYMER (LCP) GLASS-FILLED. UL 94 V-0. COLOR: BLACK. SIGNAL & SHIELD -COPPER ALLOY.
 2. FINISHES: SELECTIVE GOLD (Au) ON CONTACT AREA. SELECTIVE MATTE TIN (Sn) ON PCB TAILS. NICKEL (Ni) OVERALL.
 3. THIS PART CONFORMS TO MOLEX PRODUCT SPECIFICATION PS-74031-999.
 4. FOR MIXED CONTACT MATING LENGTHS CONSULT MOLEX FOR AVAILABILITY.
 5. FOR SPECIFIC PART NUMBER AND MATING INFORMATION REFER TO SHEET 2.
 6. PACKAGE PER PK-74696-003.
 7. EITHER MARK PART NUMBER AND DATE CODE APPROXIMATELY WHERE SHOWN OR PLACE LABEL ON THE TUBE.
 8. THIS PART CONFORMS TO CLASS B REQUIREMENTS OF MOLEX COSMETIC SPECIFICATION PS-45499-002.
 9. MAPS (MOLEX ADVANCED PLATING SYSTEM).

LEAD FREE CONVERSION EC NO: UCP2013-0687 DRAWINGS: 2012/08/21 CHKD:MWLF 2012/11/20 APPR:SMILLER 2012/12/14 REV:	QUALITY SYMBOLS	GENERAL TOLERANCES (UNLESS SPECIFIED)		DIMENSION STYLE MM ONLY		SCALE 2.5:1	DESIGN UNITS METRIC	THIRD ANGLE PROJECTION
	▽=0	mm	INCH	DRAWN BY	DATE	TITLE		
	▽=0	4 PLACES ±	±	MOWANG	2001/07/23	HSD SALES ASSEMBLY		
	▽=0	3 PLACES ±	±	CHECKED BY	DATE	ADVANCED MATE 5 ROW		
	▽=0	2 PLACES ±	±	JLAURX	2001/10/12	SIGNAL END BACKPLANE		
		1 PLACE ±	±	APPROVED BY	DATE	molex		
		0 PLACE ±	±	CBIXLER	2001/10/12	DOCUMENT NO. SD-74696-003		
		ANGULAR ±1/2°		MATERIAL NO.		SHEET NO.		
		DRAFT WHERE APPLICABLE MUST REMAIN WITHIN DIMENSIONS		SEE SHEET 2		1 OF 2		
		THIS DRAWING CONTAINS INFORMATION THAT IS PROPRIETARY TO MOLEX INCORPORATED AND SHOULD NOT BE USED WITHOUT WRITTEN PERMISSION						

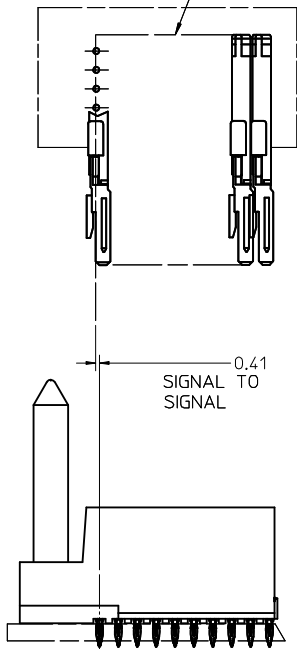


74696-***

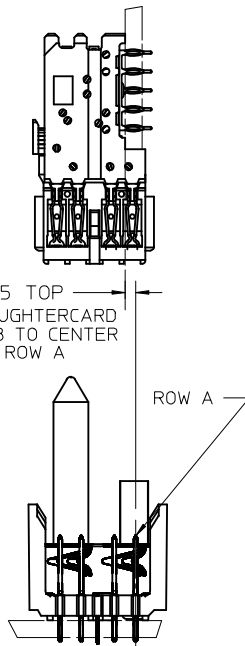
NUMBER OF COLUMNS/PLATING
 11 = 10 COLUMN MATTE TIN (FORMERLY TIN/LEAD)
 26 = 25 COLUMN MATTE TIN (FORMERLY TIN/LEAD)
 61 = 10 COLUMN MATTE TIN (MAPS)
 76 = 25 COLUMN MATTE TIN (MAPS)
 91 = 10 COLUMN MATTE TIN
 86 = 25 COLUMN MATTE TIN

CONTACT LOAD
 (PIN LENGTH)
 1 & 6 = 4.75
 2 & 7 = 6.25
 3 & 8 = 4.25
 4 & 9 = 5.15

DAUGHTERCARD
CONNECTOR SIDE



0.75 TOP
DAUGHTERCARD
PCB TO CENTER
OF ROW A



PART NUMBER	COLUMN	NUMBER OF SIGNAL PIN	NUMBER OF SHIELD	A	B	M	GOLD THICKNESS MICROMETER	TIN THICKNESS MICROMETER	
74696-61*1							0.25 MAPS		
74696-*1*1	10	40	10	27.00	18.00	4.75	0.76	0.76-1.52	
74696-*1*6							1.27		
74696-76*1							0.25 MAPS		
74696-*6*1	25	100	25	57.00	48.00		0.76		
74696-*6*6							1.27		
74696-61*2						6.25	0.25 MAPS		
74696-*1*2	10	40	10	27.00	18.00				0.76
74696-*1*7									1.27
74696-76*2							0.25 MAPS		
74696-*6*2	25	100	25	57.00	48.00		0.76		
74696-*6*7							1.27		
74696-61*3						4.25	0.25 MAPS		
74696-*1*3	10	40	10	27.00	18.00			0.76	
74696-*1*8								1.27	
74696-76*3							0.25 MAPS		
74696-*6*3	25	100	25	57.00	48.00		0.76		
74696-*6*8							1.27		
74696-61*4						5.15	0.25 MAPS		
74696-*1*4	10	40	10	27.00	18.00			0.76	
74696-*1*9								1.27	
74696-76*4							0.25 MAPS		
74696-*6*4	25	100	25	57.00	48.00		0.76		
74696-*6*9							1.27		

SEE SHEET 1 EC NO: UCP2013-0687 DRAWINGS 2012/08/21 CHKD:MMOLFE 2012/11/20 APPR:SMILLER 2012/12/14	QUALITY SYMBOLS 	GENERAL TOLERANCES (UNLESS SPECIFIED)		DIMENSION STYLE MM ONLY	SCALE 2.5:1	DESIGN UNITS METRIC	THIRD ANGLE PROJECTION		
		mm	INCH	DRAWN BY MQWANG	DATE 2001/07/23	HSD SALES ASSEMBLY ADVANCED MATE 5 ROW SIGNAL END BACKPLANE molex DOCUMENT NO. SD-74696-003 SHEET NO. 2 OF 2			
		4 PLACES	± ---	± ---	CHECKED BY JLAURX				DATE 2001/10/12
		3 PLACES	± ---	± ---	APPROVED BY CBI XLER				DATE 2001/10/12
2 PLACES	± ---	± ---							
1 PLACE	± ---	± ---	ANGULAR ±1/2°						
0 PLACE	±	±	DRAFT WHERE APPLICABLE MUST REMAIN WITHIN DIMENSIONS						
				SIZE C	THIS DRAWING CONTAINS INFORMATION THAT IS PROPRIETARY TO MOLEX. INCORPORATED AND SHOULD NOT BE USED WITHOUT WRITTEN PERMISSION				