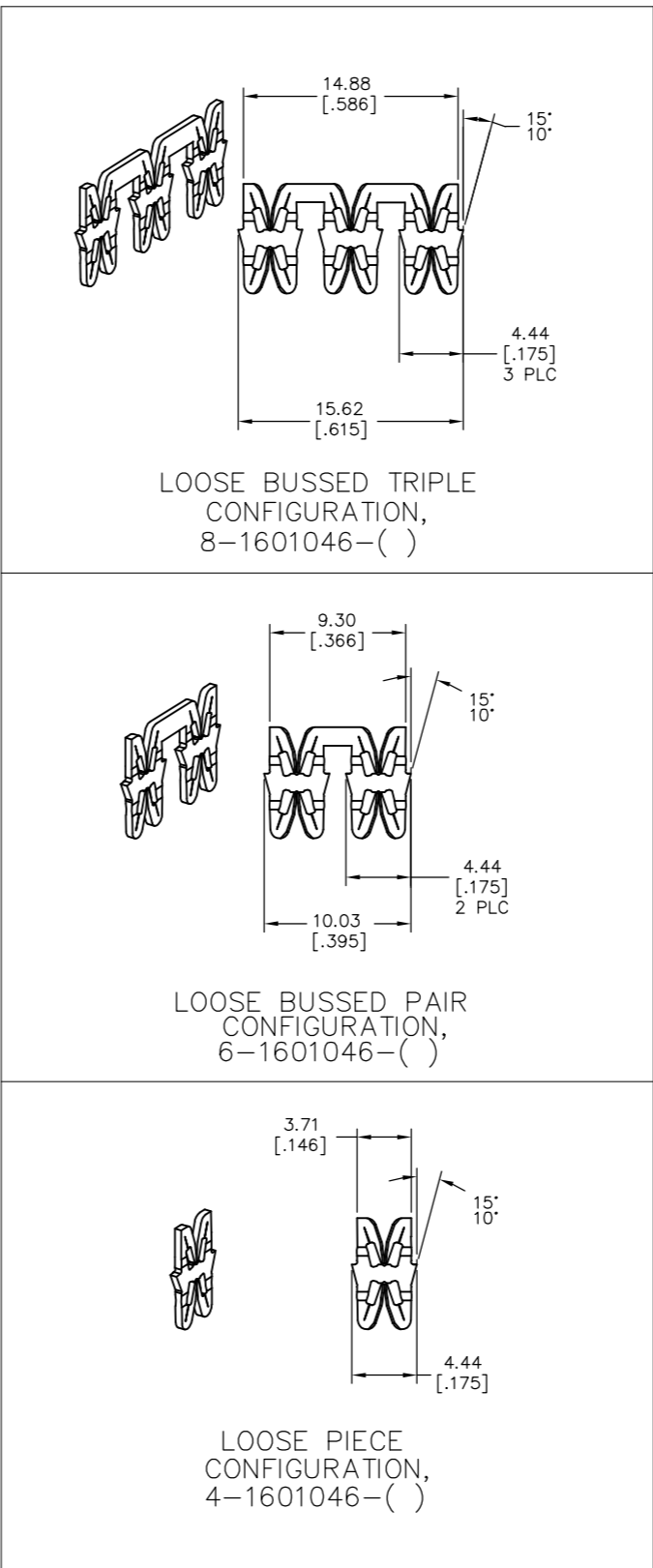
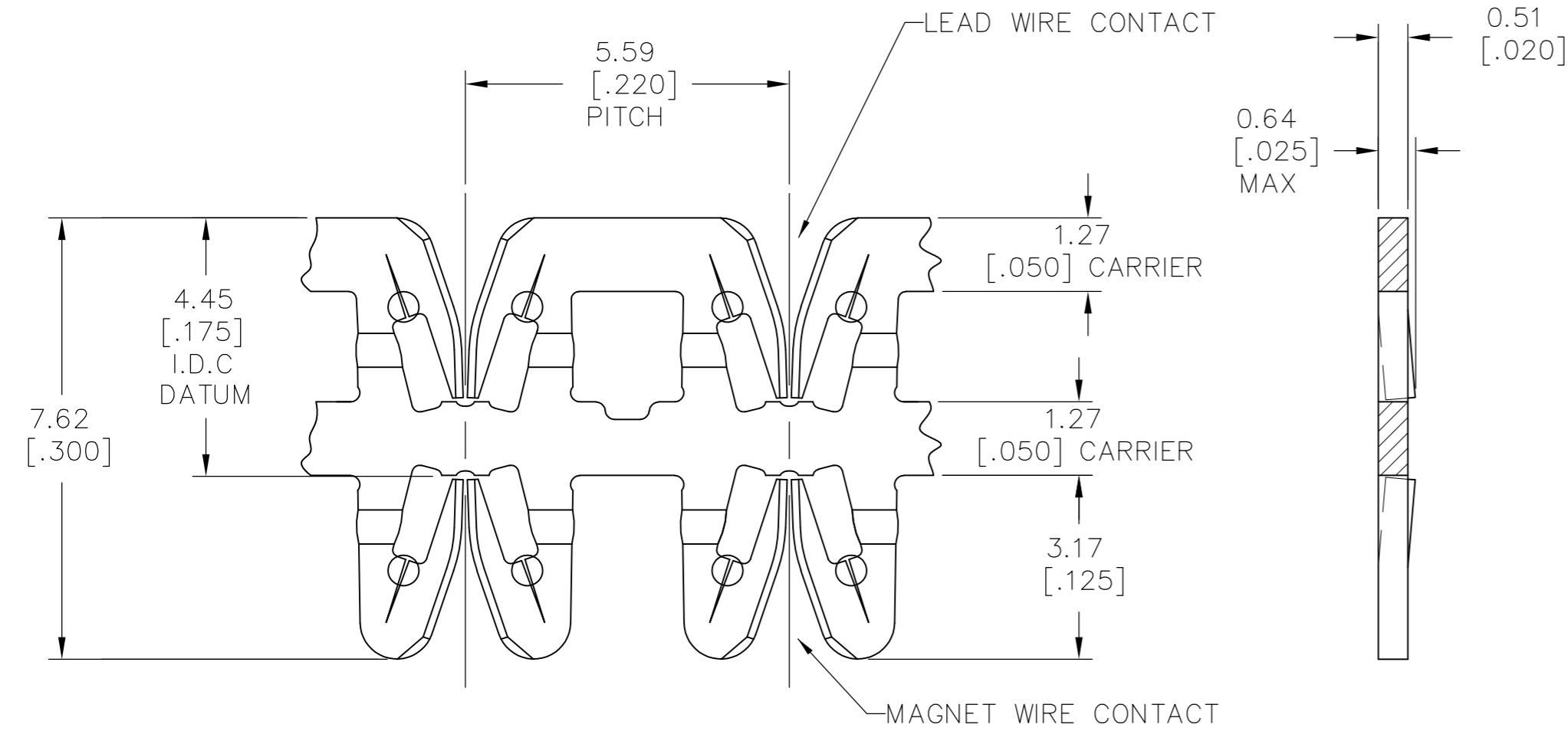
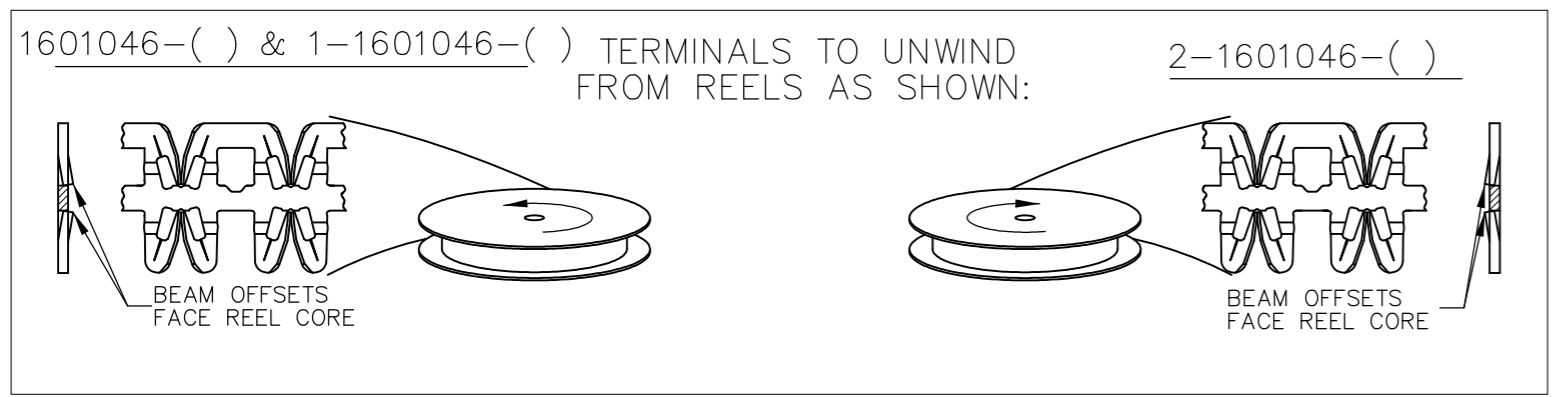


THIS DRAWING IS UNPUBLISHED. RELEASED FOR PUBLICATION
 © COPYRIGHT - By - ALL RIGHTS RESERVED.

REVISIONS				
P	LTR	DESCRIPTION	DATE	APVD
DB		REVISED PER ECR-16-011993	20APR12	JH TIM



- SPECIFICATIONS:
MAGNET WIRE #18 - #34 AWG, 1.02mm[.040] - 0.16mm[.006] DIA COPPER. LEAD WIRE #18 - #22 AWG, (0.8mm² - 0.3mm²) STRANDED, BONDED OR SOLID WITH PVC INSULATION. MAX. INSULATION O.D. 2.9mm[.115] NO STRIPPING REQUIRED. OTHER INSULATION TYPES, MAY BE ACCOMMODATED, CONSULT TYCO ELECTRONICS FOR APPROVAL.
- POCKET RECOMMENDATION:
#1601433 FOR DOUBLE BUSSED (COMMONED) TERMINALS AND #1601440 FOR TRIPLE BUSSED (COMMONED) TERMINAL.
- TERMINAL APPLICATION TO COMPLY WITH TYCO ELECTRONICS SPECIFICATION 114-13166 FIGURE 3
- REDUCED PACKAGING QUANTITY.
- PRODUCT SPEC: STANDARD SIAMEZE 108-2085 HIGH TEMPERATURE 108-2293(1601046-3)
- PRELIMINARY - NOT FOR PRODUCTION.



FINISH	MATERIAL	REFERENCE PART NUMBER	TE PART NUMBER
UNPLATED	BRASS, SPRING HARD	331-101-000	8-1601046-1
POST TIN PLATED OVER NICKEL	BRASS, SPRING HARD	-	6-1601046-2
UNPLATED	BRASS, SPRING HARD	231-101-000	6-1601046-1
UNPLATED	BRASS, SPRING HARD	031-101-000	4-1601046-1
UNPLATED	BRASS, SPRING HARD	131-102-000	2-1601046-1
UNPLATED	BRASS, SPRING HARD	-	4 6 1-1601046-1
UNPLATED	EXTRA HARD Cu ALLOY	-	6 1601046-3
POST TIN PLATED OVER NICKEL	BRASS, SPRING HARD	-	1601046-2
UNPLATED	BRASS, SPRING HARD	131-101-000	1601046-1

THIS DRAWING IS A CONTROLLED DOCUMENT.

DWN J.WELLER 11JAN2002
 CHK M.FEHER 11JAN2002
 APVD K.RANDOLPH 11JAN2002

DIMENSIONS: mm [INCHES]

TOLERANCES UNLESS OTHERWISE SPECIFIED:
 0 PLC ± -
 1 PLC ± -
 2 PLC ± 0.13[.005]
 3 PLC ± -
 4 PLC ± -
 ANGLES ± 2°

MATERIAL BRASS, SPRING HARD FINISH SEE TABLE

WEIGHT 0.0

CUSTOMER DRAWING

TE Connectivity

STANDARD RANGE WIRE TO WIRE HIGH CARRIER SIAMEZE TERMINAL

SIZE A2 CAGE CODE 00779 DRAWING NO C-1601046 RESTRICTED TO -

SCALE 10:1 SHEET 1 of 1 REV DB

1601046

A