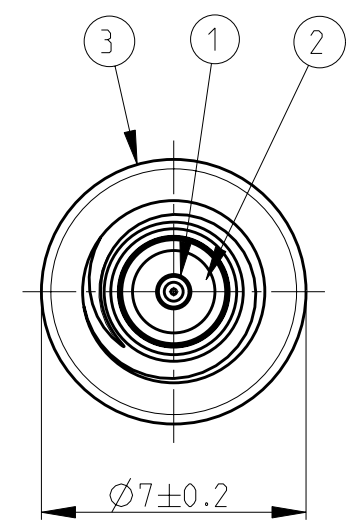
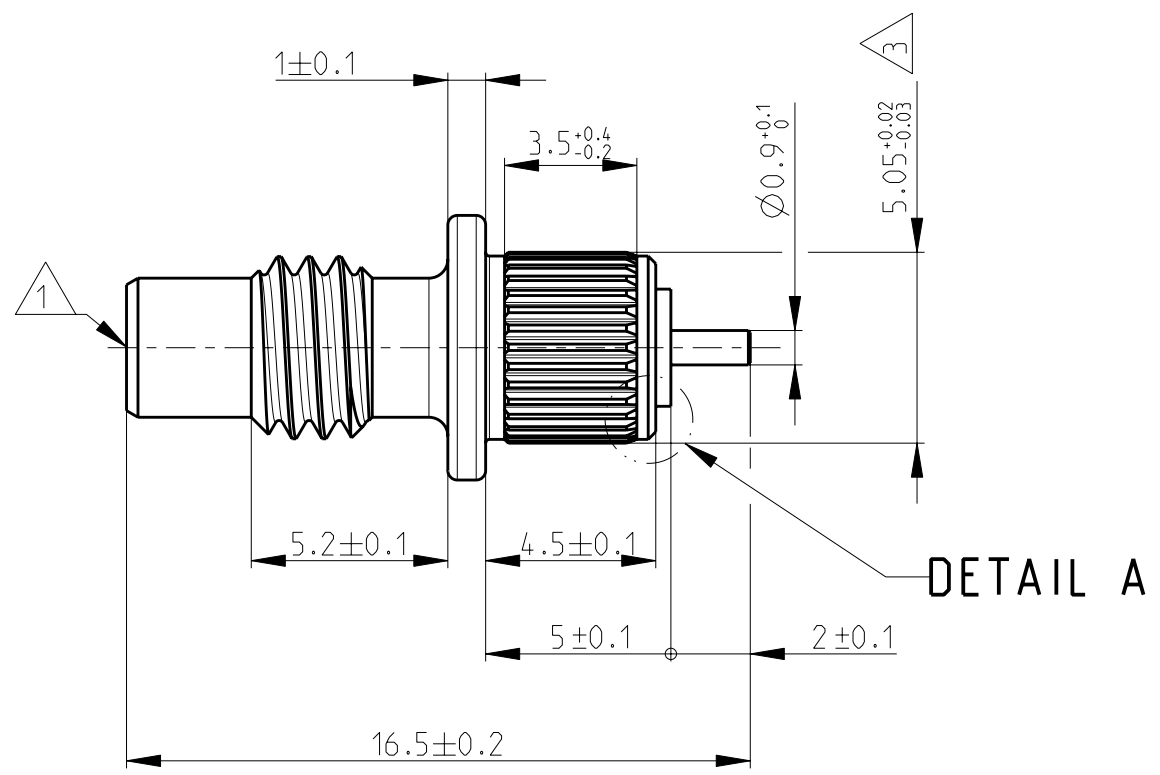
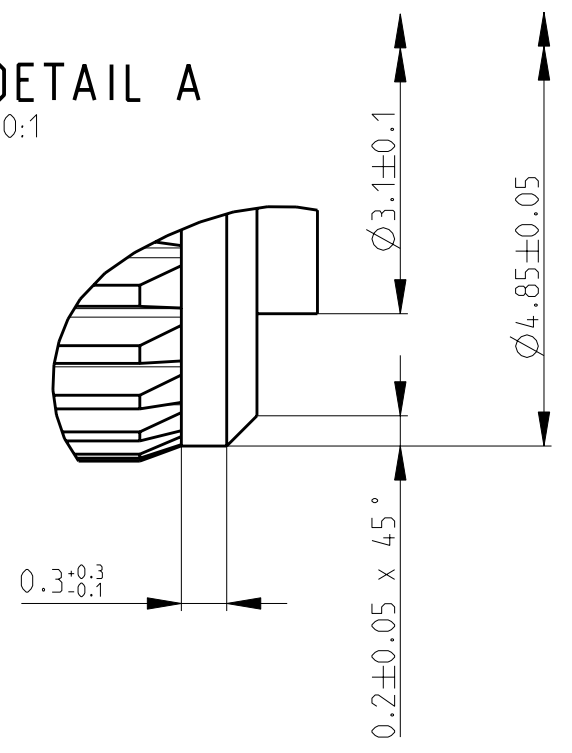


THIS DRAWING IS UNPUBLISHED. RELEASED FOR PUBLICATION
 © COPYRIGHT - BY TYCO ELECTRONICS CORPORATION. ALL RIGHTS RESERVED.

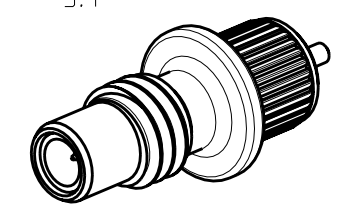
LOC	DIST	REVISIONS			
P	LTR	DESCRIPTION	DATE	DWN	APVD
IS	-	A	First issue	28JUL2006	AM DB
		B	ECR-07-023318	02OCT2007	MS DB



DETAIL A
20:1

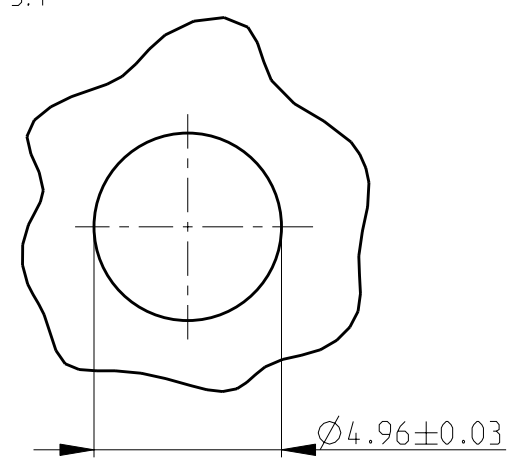


3D VIEW
3:1



- 1 Interface according to IEC 169-9
- 2) Center conductor not captivated against rotation
- 3 Knurl according to DIN 82 RAA 0.5
- 4) Suitable for coupling torque up to 0.8Nm.

Applicable hole layout
5:1



PART NR	ITEM NR	PIECES	DESCRIPTION	MATERIAL	PLATING
1460470-1	3	1	BODY	BRASS	Min. 0.1µm Au over min. 2µm NiP
	2	1	DIELECTRIC	PTFE	NONE
	1	1	CENTER CONDUCTOR	BRASS	Min. 0.1µm Au over min. 2µm NiP

<small>THIS DRAWING IS A CONTROLLED DOCUMENT FOR TYCO ELECTRONICS CORPORATION IT IS SUBJECT TO CHANGE AND THE CONTROLLING ENGINEERING ORGANIZATION SHOULD BE CONTACTED FOR THE LATEST REVISION.</small>		DWN F. Hellin 03NOV2004 CHK F. Hellin 03NOV2004 APVD R. Leeman 03NOV2004		Tyco Electronics Lugano - Switzerland	
DIMENSIONS: mm 		TOLERANCES UNLESS OTHERWISE SPECIFIED: 0 PLC ± 1 PLC ±0.0 2 PLC ±0.00 3 PLC ±0.000 4 PLC ±0.0000 ANGLES ±		NAME SMC press in jack PRODUCT SPEC - APPLICATION SPEC - WEIGHT ±1.3g	
MATERIAL see table FINISH see table		SIZE A3 CAGE CODE 00779 DRAWING NO C-1460470		RESTRICTED TO - SCALE 5:1 SHEET 1 OF 1 REV B	

