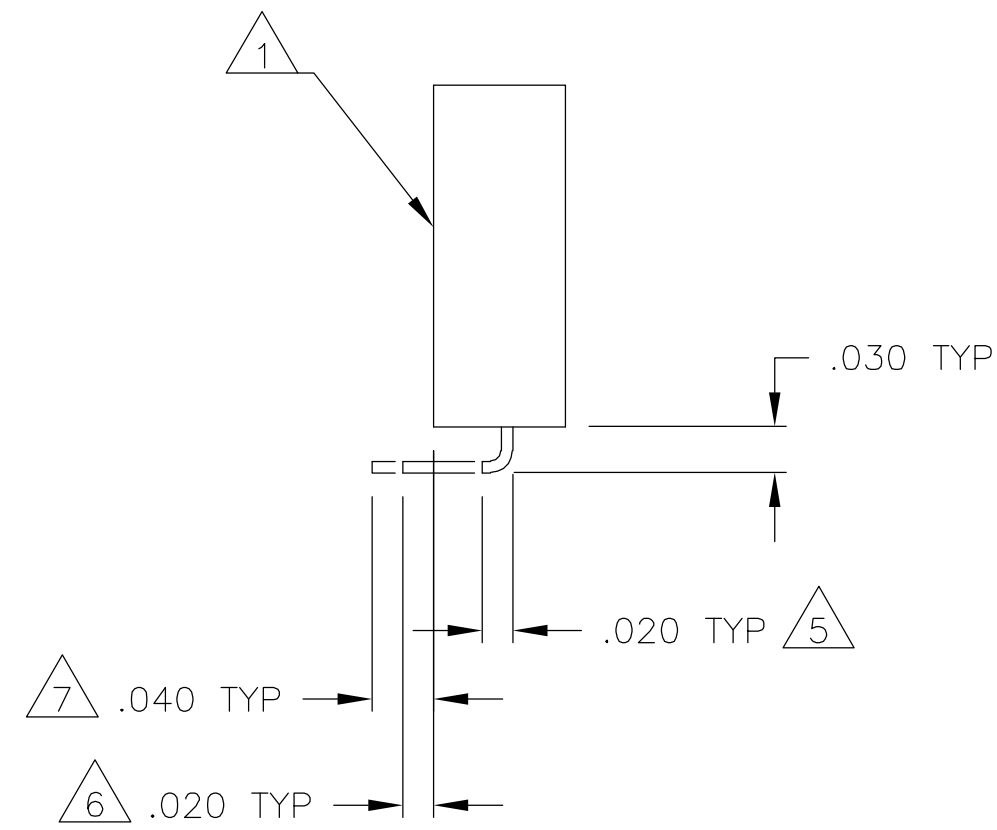
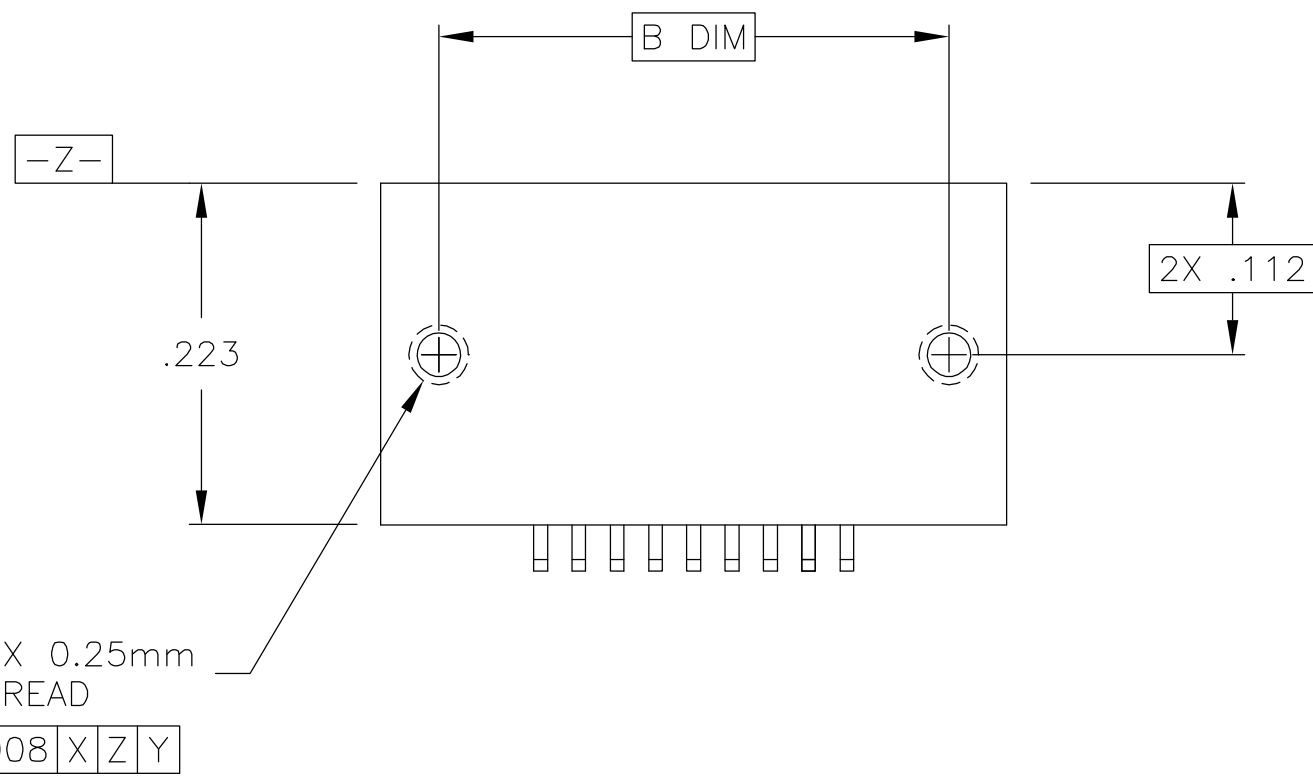
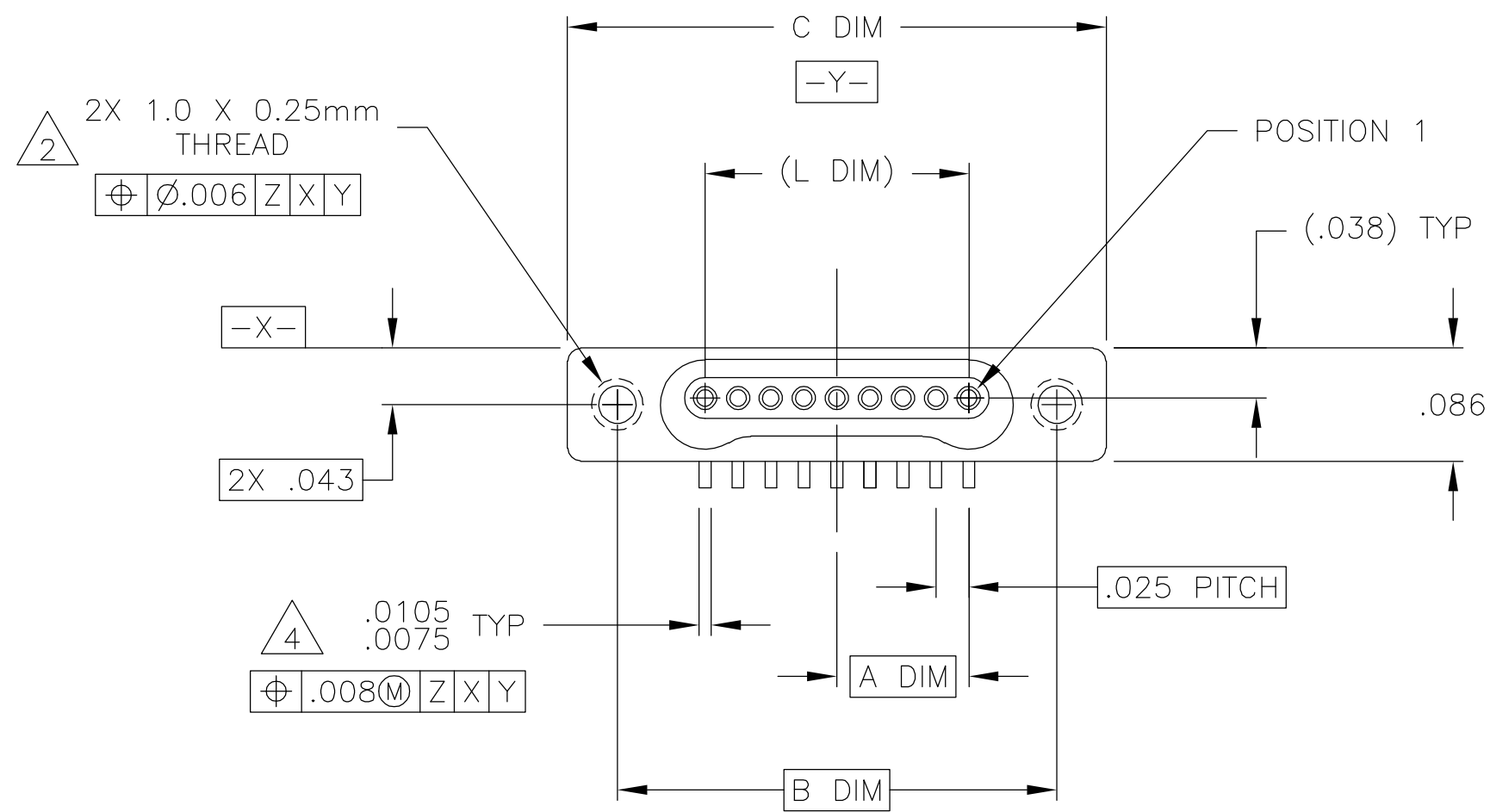


THIS DRAWING IS UNPUBLISHED. RELEASED FOR PUBLICATION
 © COPYRIGHT BY TYCO ELECTRONICS CORPORATION. ALL RIGHTS RESERVED.

LOC		DIST		REVISIONS			
P	LTR	DESCRIPTION		DATE	DWN	APVD	
		M1		UPDATE PER ECO-05-010808	3 OCT 05	CAS MKS	



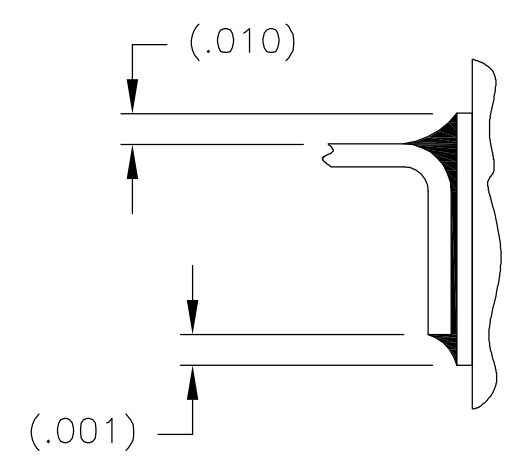
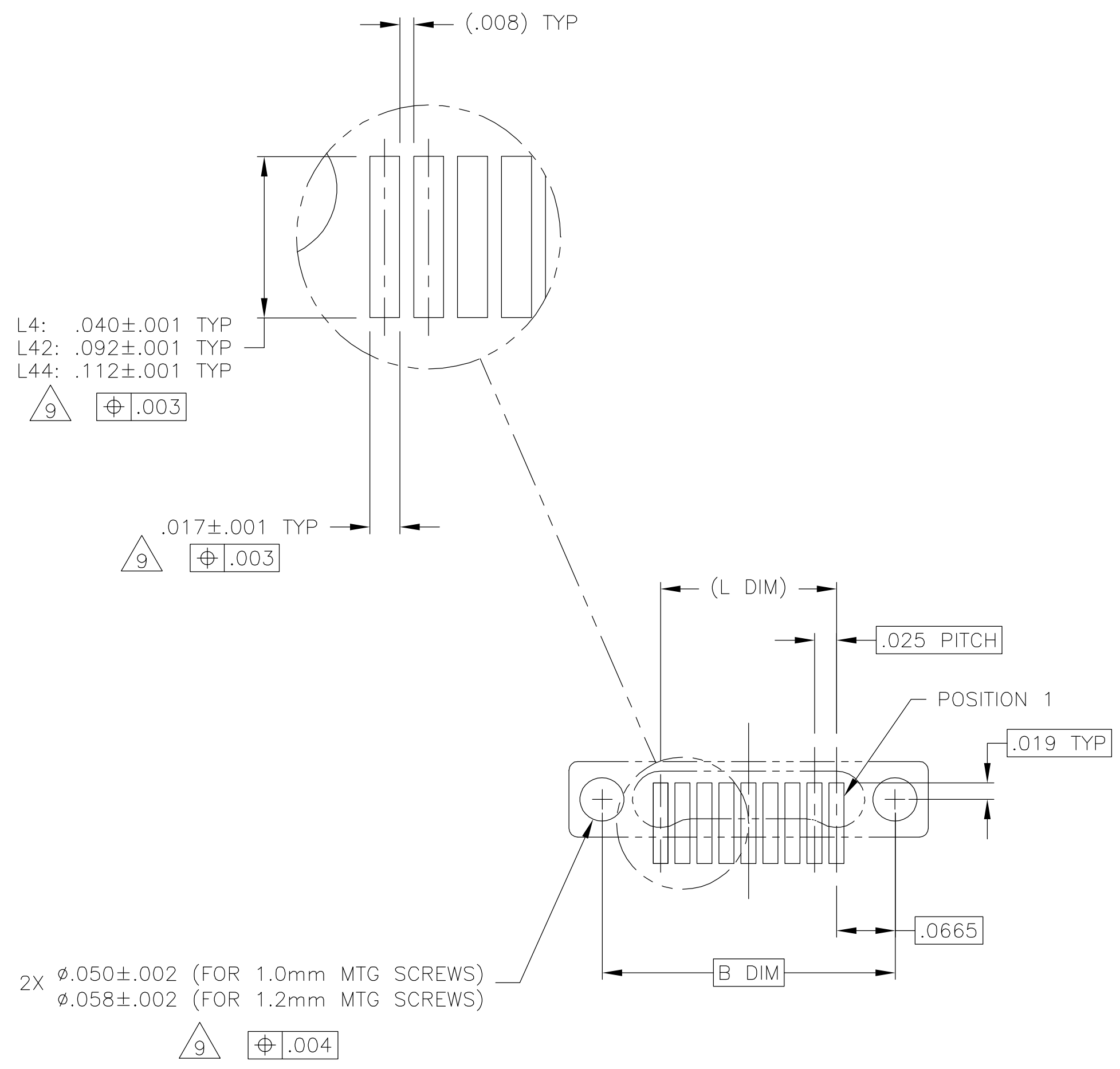
SIZE	A DIM	B DIM	C DIM $\pm .0050$	(L DIM)
05	.050	.233	.3085	(.100)
09	.100	.333	.4085	(.200)
15	.175	.483	.5585	(.350)
25	.300	.733	.8085	(.600)
37	.450	1.033	1.1085	(.900)
51	.625	1.383	1.4585	(1.250)

- 1 SHELL OPTIONS (TO BE SPECIFIED IN NANONICS PART NUMBER):
 METAL: 6061-T6 ALUMINUM, ELECTROLESS NICKEL PLATED PER SAE-AMS-C-26074 (STANDARD) OR GOLD PLATED PER ASTM B488
 303 STAINLESS STEEL, PASSIVATED PER SAE-AMS-2700
 INSULATOR MATERIAL FOR ALL METAL SHELLS IS LIQUID CRYSTAL POLYMER (LCP) PER MIL-M-24519 OR PER ASTM D5138
 PLASTIC: LIQUID CRYSTAL POLYMER (LCP) PER MIL-M-24519 OR PER ASTM D5138
- 2 STANDARD 1.0 X 0.25mm MOUNTING AND JACKSCREW THREADS ARE SHOWN FOR REFERENCE ONLY AND MUST BE SPECIFIED IN THE NANONICS PART NUMBER WHEN REQUIRED. 1.2 X 0.25mm THREADS ALSO AVAILABLE.
- 3 MOUNTING HARDWARE IS AVAILABLE WITH THIS CONFIGURATION (NOT SHOWN). HARDWARE MUST BE SPECIFIED IN THE NANONICS PART NUMBER. CONSULT TYCO ELECTRONICS FOR DETAILS.
- 4 LEAD MATERIAL: BeCu, TIN LEAD PLATED PER 60/40 COMPOSITION PER SAE-AMS-P-81728
- 5 NANONICS TERMINATION CODE: L4 6 NANONICS TERMINATION CODE: L42 7 NANONICS TERMINATION CODE: L44
- 8 THIS DRAWING PREVIOUSLY IDENTIFIED AS NANONICS N10138/132

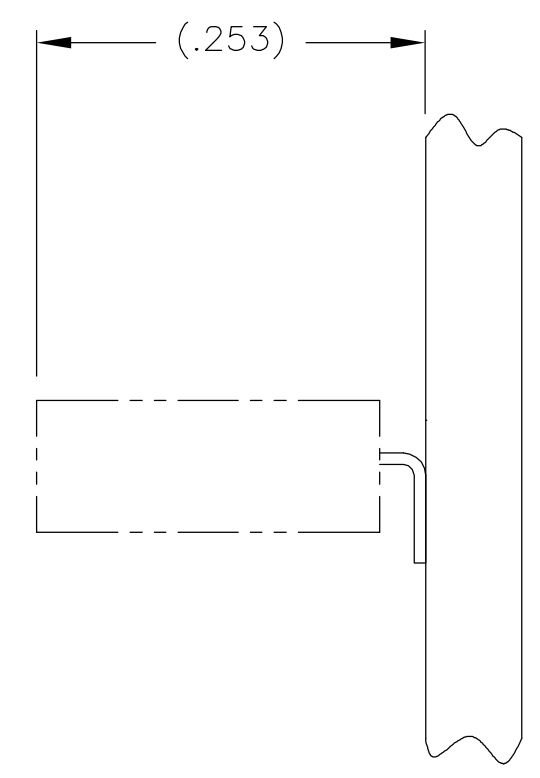
THIS DRAWING IS A CONTROLLED DOCUMENT.		DWN D RYAN 04-21-92	Tyco Electronics Corporation Harrisburg, PA 17105-3608	
DIMENSIONS: INCHES		CHK E BURGER 02-28-93		
TOLERANCES UNLESS OTHERWISE SPECIFIED:		APVD M STORRY 04-03-01	NAME RECEPTACLE ASSEMBLY, VERTICAL SURFACE MOUNT, SINGLE ROW DUALLOBE, PLASTIC OR METAL	
0 PLC \pm - 1 PLC \pm - 2 PLC \pm .010 3 PLC \pm .005 4 PLC \pm - ANGLES \pm 1°		PRODUCT SPEC -	SIZE A2	CAGE CODE OPJN9
MATERIAL SEE NOTES		FINISH SEE NOTES	WEIGHT -	DRAWING NO C=1589463
CUSTOMER DRAWING			SCALE 8:1	SHEET 1 of 2
			RESTRICTED TO -	REV M1

THIS DRAWING IS UNPUBLISHED. RELEASED FOR PUBLICATION
 © COPYRIGHT BY TYCO ELECTRONICS CORPORATION. ALL RIGHTS RESERVED.

LOC		DIST		REVISIONS			
P	LTR	DESCRIPTION	DATE	DWN	APVD		
-	-	SEE SHEET 1	-	-	-		



TYPICAL FOOT PLACEMENT ON SOLDER PAD



SIZE 09 SHOWN FOR REFERENCE

TYPICAL PCB LAYOUT

POSITIONAL TOLERANCES FOR BASIC DIMENSIONED FEATURES ARE RELATIVE TO FIDUCIALS OR SOME SIMILAR DATUM REFERENCE DEFINED BY THE PCB DESIGNER.

THIS DRAWING IS A CONTROLLED DOCUMENT.		DWN D RYAN 04-21-92	Tyco Electronics Corporation Harrisburg, PA 17105-3608																		
DIMENSIONS: INCHES		CHK E BURGER 02-28-93																			
TOLERANCES UNLESS OTHERWISE SPECIFIED:		APVD M STORRY 04-03-01	NAME RECEPTACLE ASSEMBLY, VERTICAL SURFACE MOUNT, SINGLE ROW DUALLOBE, PLASTIC OR METAL																		
<table border="1"> <tr><td>0 PLC</td><td>±</td><td>-</td></tr> <tr><td>1 PLC</td><td>±</td><td>-</td></tr> <tr><td>2 PLC</td><td>±</td><td>.010</td></tr> <tr><td>3 PLC</td><td>±</td><td>.005</td></tr> <tr><td>4 PLC</td><td>±</td><td>-</td></tr> <tr><td>ANGLES</td><td>±</td><td>1°</td></tr> </table>		0 PLC	±	-	1 PLC	±	-	2 PLC	±	.010	3 PLC	±	.005	4 PLC	±	-	ANGLES	±	1°	PRODUCT SPEC -	SIZE A2
0 PLC	±	-																			
1 PLC	±	-																			
2 PLC	±	.010																			
3 PLC	±	.005																			
4 PLC	±	-																			
ANGLES	±	1°																			
MATERIAL SEE NOTES		FINISH SEE NOTES	CAGE CODE OPJN9																		
		WEIGHT -	DRAWING NO 1589463																		
		CUSTOMER DRAWING	RESTRICTED TO -																		
		SCALE 8:1	SHEET 2 OF 2																		
			REV M1																		

1589463