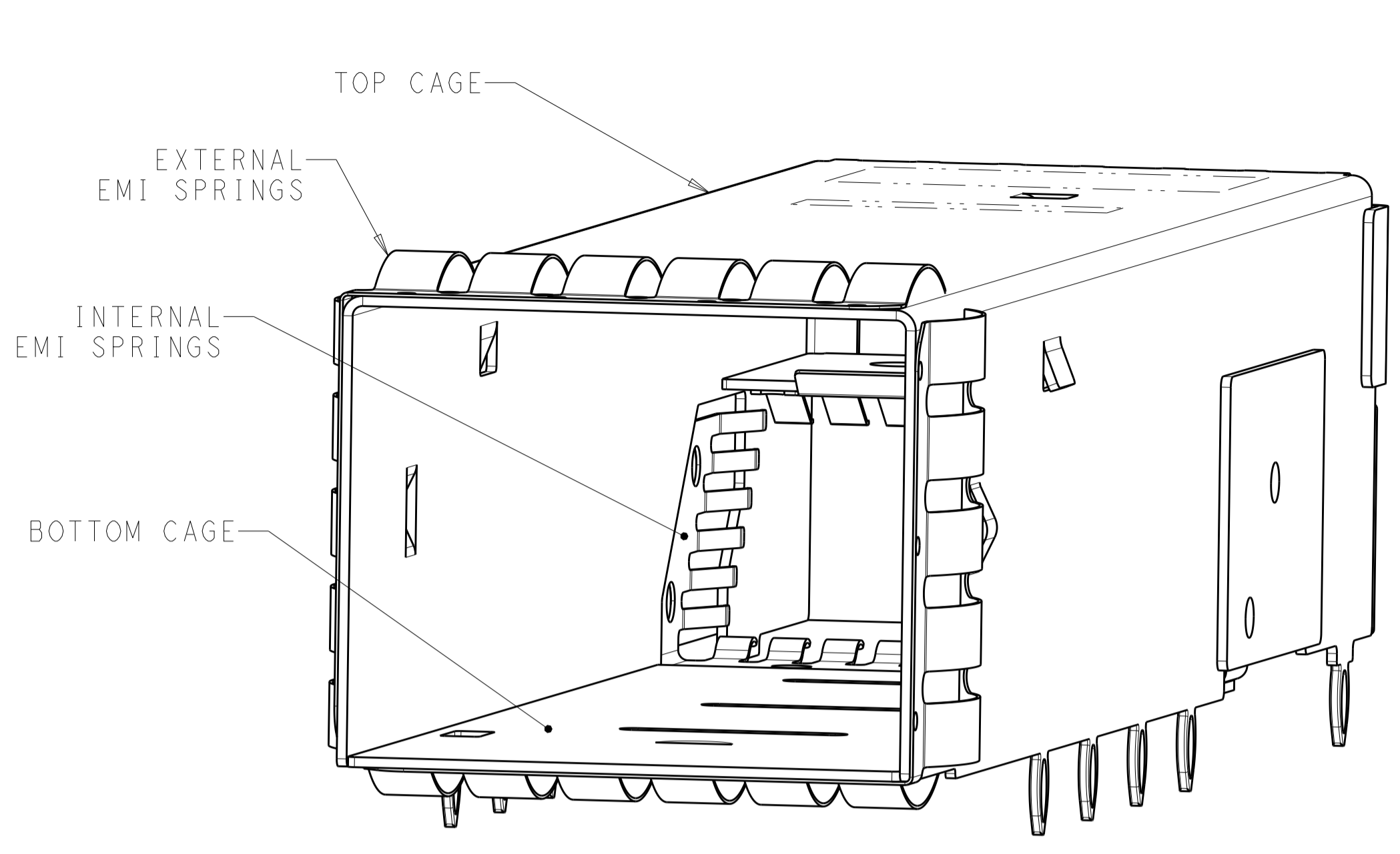
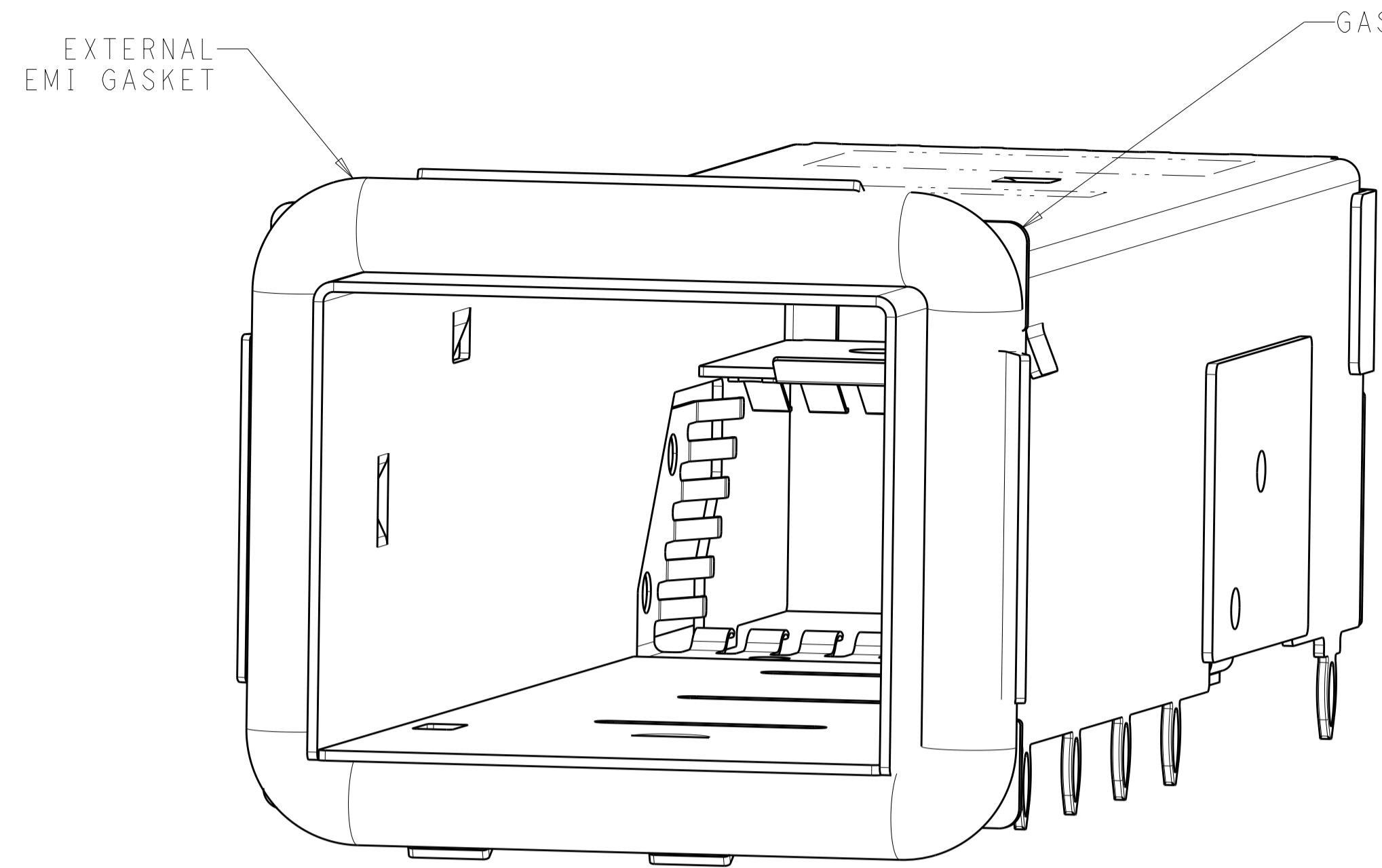


REVISIONS				
P.	LTN	DESCRIPTION	DATE	APPROV
4		REVISED	04AUG2016	CJV EDB
5		UPDATED VIEWS	29SEP2016	CJV EDB
6		UPDATE VIEWS	03FEB2017	CJV EDB
7		UPDATED VIEWS	03MAR2017	CJV EDB

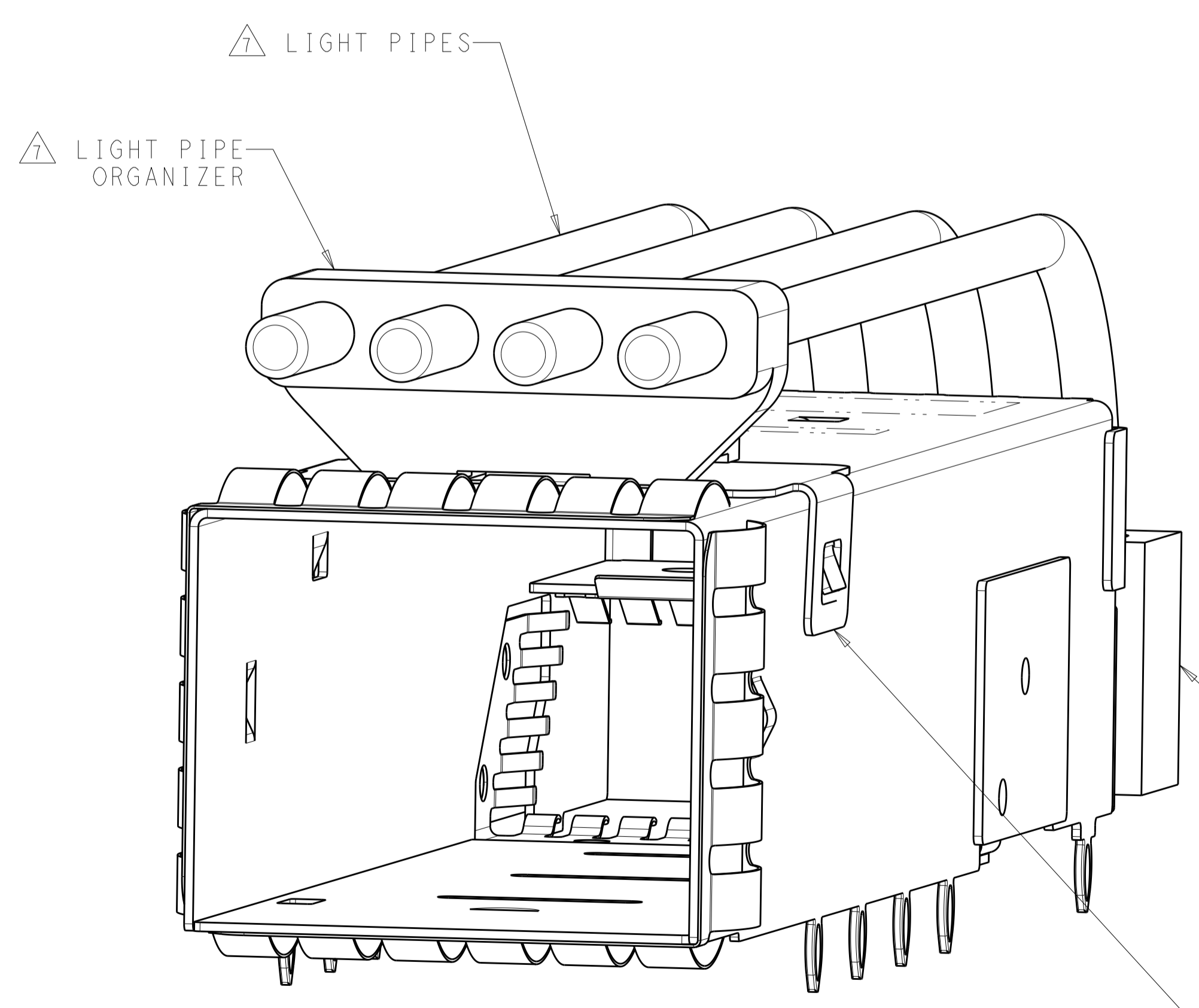


2297551-1
ISOMETRIC VIEW
SCALE 8:1

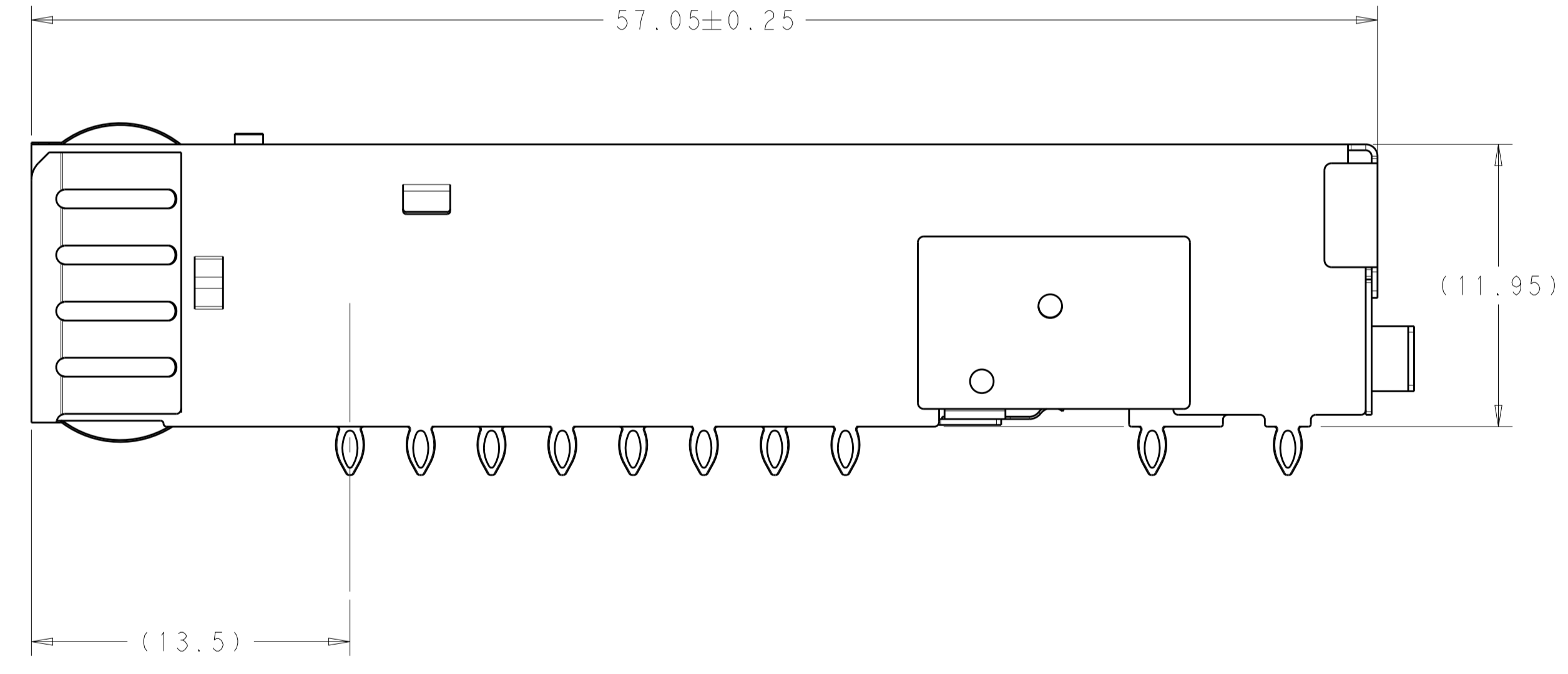
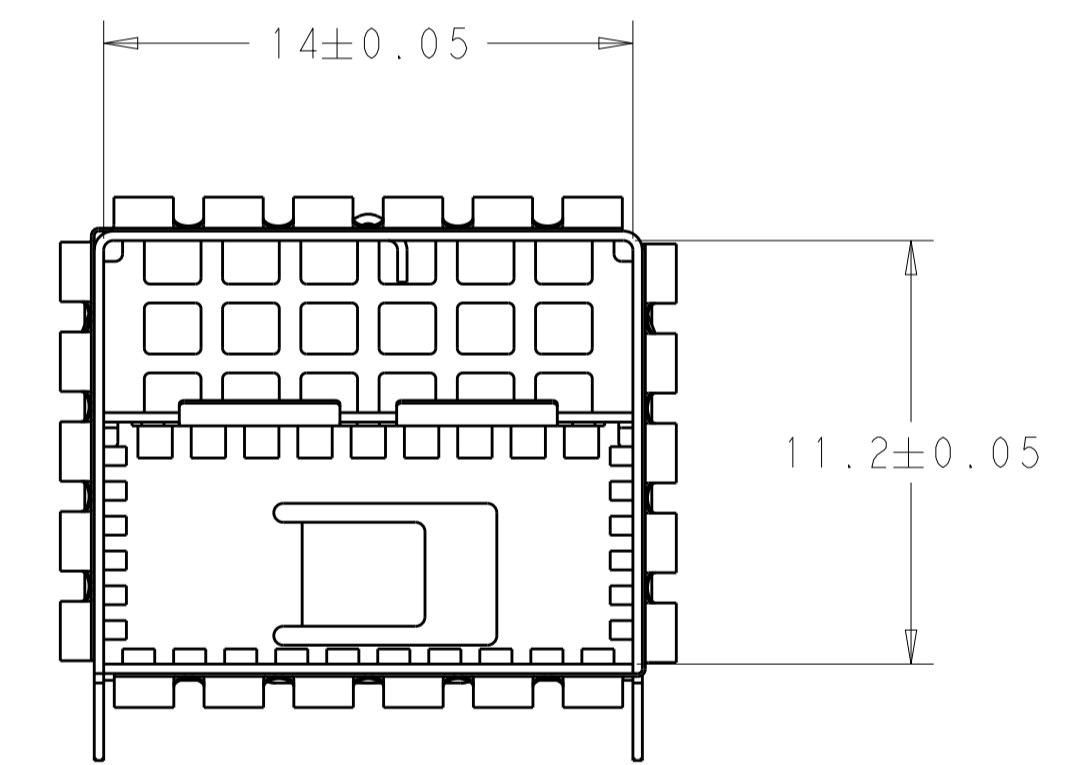


2297551-2
ISOMETRIC VIEW
SCALE 8:1

1. MATERIALS:
 TOP AND BOTTOM CAGE - STAINLESS STEEL
 GASKET FLANGE - STAINLESS STEEL
 EXTERNAL EMI SPRINGS - COPPER ALLOY
 EXTERNAL EMI GASKET - NICKEL CARBON
 INTERNAL EMI SPRINGS - COPPER ALLOY
 LIGHT PIPES - CLEAR POLYCARBONATE
 LIGHT PIPE ORGANIZERS - POLYCARBONATE
 LIGHT PIPE BRACKET - STAINLESS STEEL
- △2 FOR HOLE SIZE AND PLATINGS SEE APPLICATION SPEC 114-32151.
 - △3 NOTE REMOVED.
 - △4 LED PLACEMENT AREA FOR 4 LIGHT PIPE DASH NUMBERS.
 - △5 LED PLACEMENT AREA FOR 2 LIGHT PIPE DASH NUMBERS.
 - △6 LED PLACEMENT AREA FOR 1 LIGHT PIPE DASH NUMBERS.
 - △7 LIGHT PIPE ASSEMBLY SHOWN ASSEMBLED TO CAGE ASSEMBLY FOR REFERENCE. LIGHT PIPE ASSEMBLY IS SHIPPED UNASSEMBLED TO CAGE ASSEMBLY.
 - △8 COMPONENT KEEPOUT AND SURFACE TRACE KEEPOUT (EXCEPT CHASSIS GROUND).
 - △9 COMPONENT KEEPOUT.



4-2297551-1
ISOMETRIC VIEW
SCALE 8:1



LIGHT PIPE ORGANIZER
 LIGHT PIPE BRACKET

4	GASKET	4-2297551-2
4	SPRING	4-2297551-1
2	GASKET	2-2297551-2
2	SPRING	2-2297551-1
1	GASKET	1-2297551-2
1	SPRING	1-2297551-1
0	GASKET	2297551-2
0	SPRING	2297551-1
LIGHT PIPES PER PORT		EXTERNAL EMI SHIELDING
		PART NUMBER

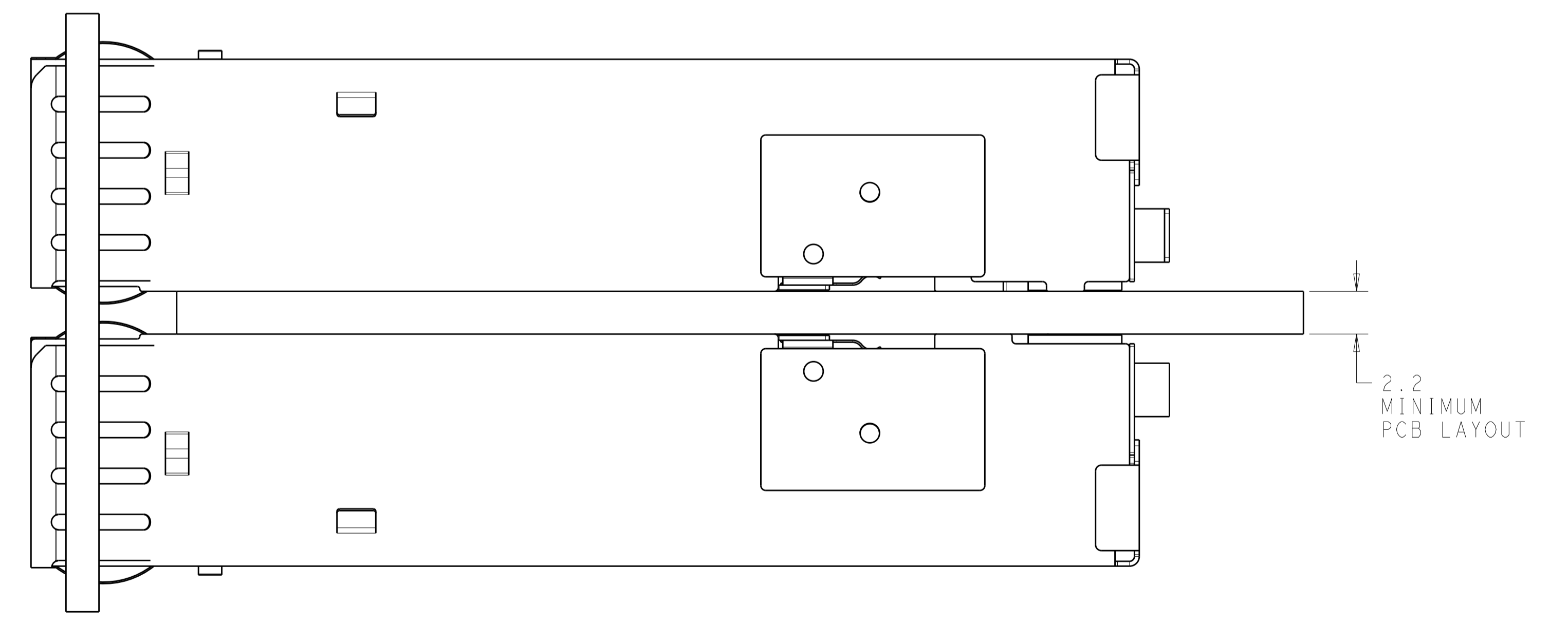
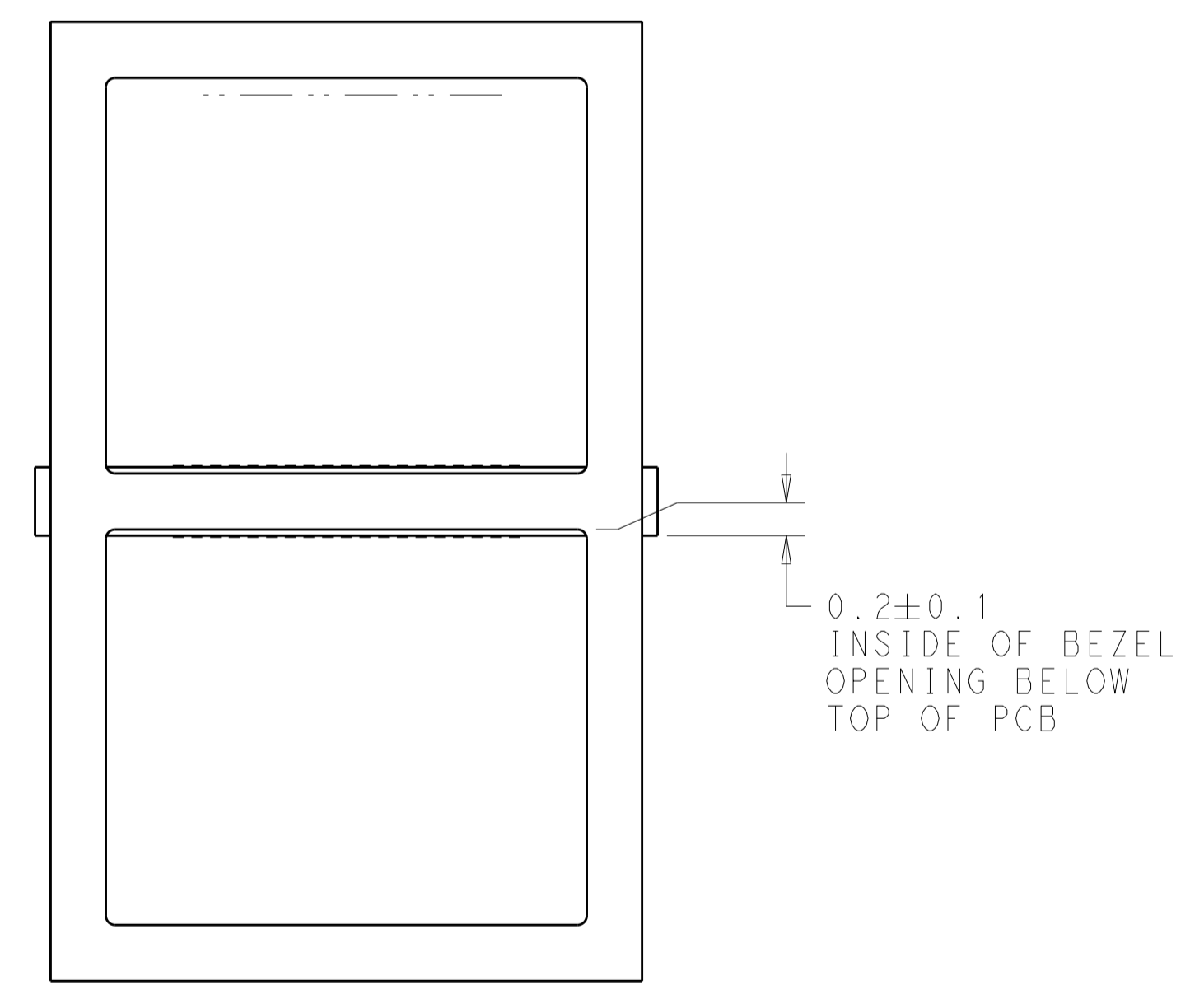
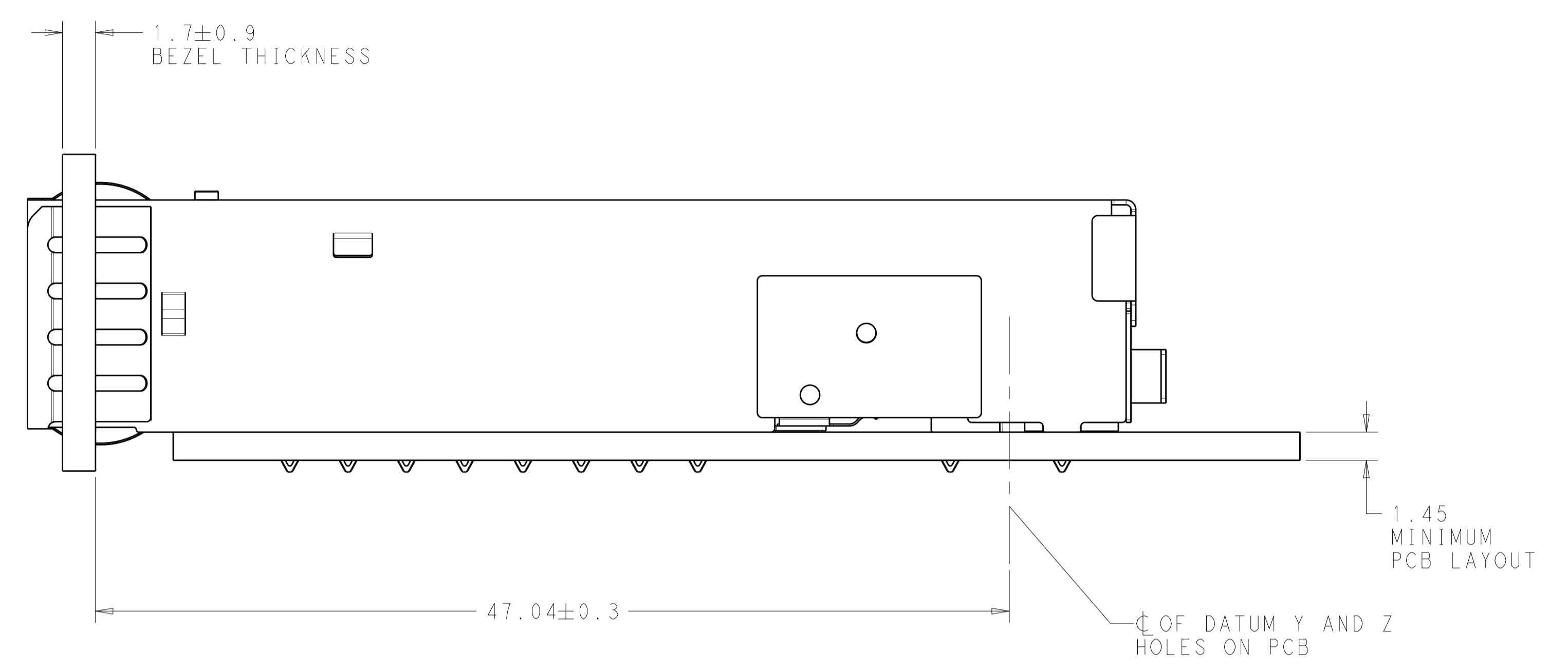
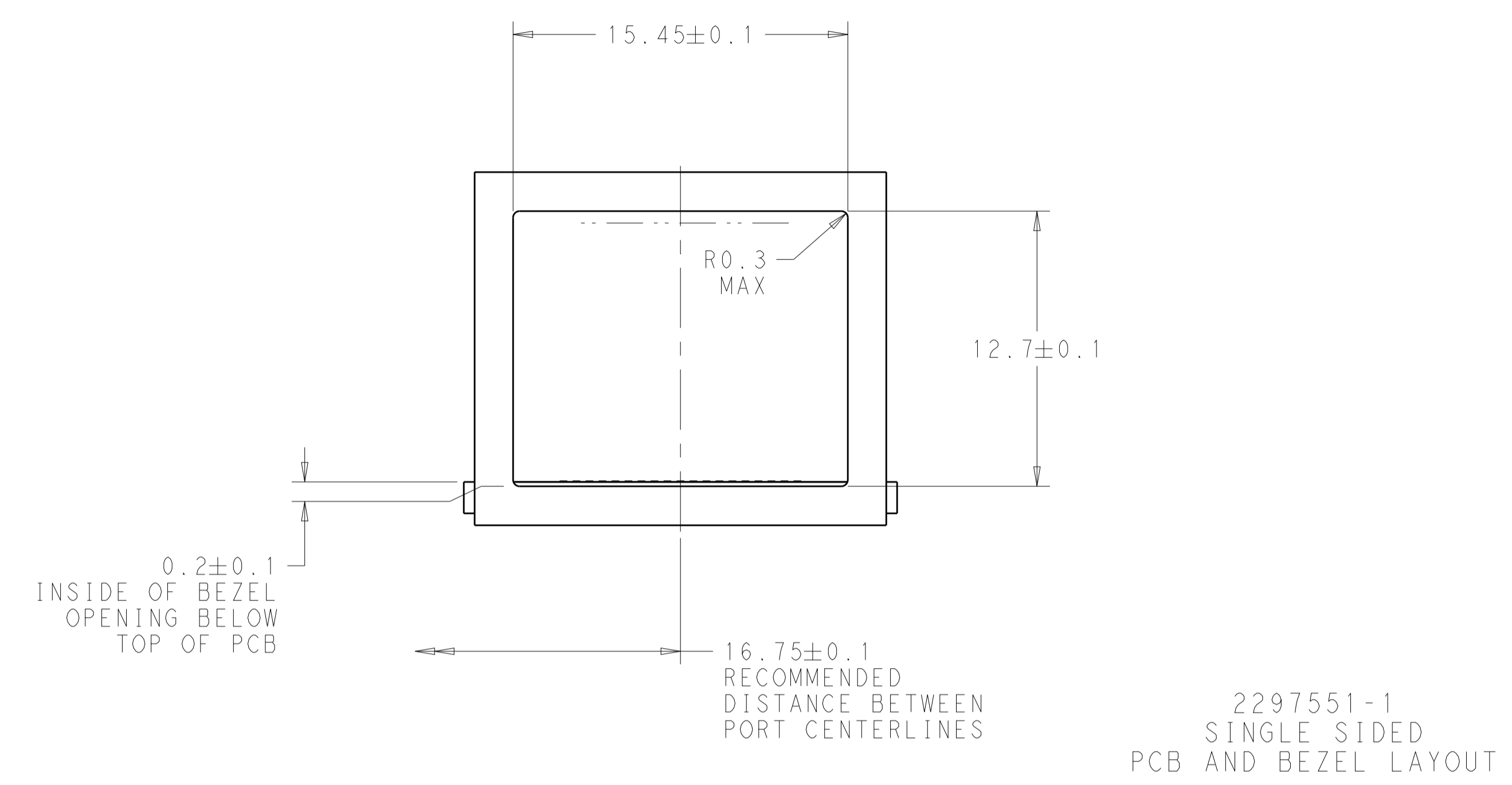
THIS PRINT IS
PRELIMINARY
 UNQUALIFIED PRODUCT
 CONTACT PRODUCT ENGINEERING
 BEFORE USING THIS PRINT

THIS DRAWING IS A CONTROLLED DOCUMENT.

DIMENSIONS:	TOLERANCES UNLESS OTHERWISE SPECIFIED:	OWN: C. VALENTINE 19 JAN 2016	CHK: E. BRIANT 19 JAN 2016	APPR: E. BRIANT 19 JAN 2016	NAME: CAGE ASSEMBLY SINGLE PORT
mm	0 PLC ± 1 PLC ± 2 PLC ± 3 PLC ± 4 PLC ± ANGLES ±	PRODUCT SPEC: 108-32129	APPLICATION SPEC: 114-32151	WEIGHT: -	SIZE: A1
MATERIAL:	FINISH: #1	Customer Drawing	SCALE: 5:1	SHEET: 1 of 6	REV: 7

STE TE Connectivity
PRELIMINARY

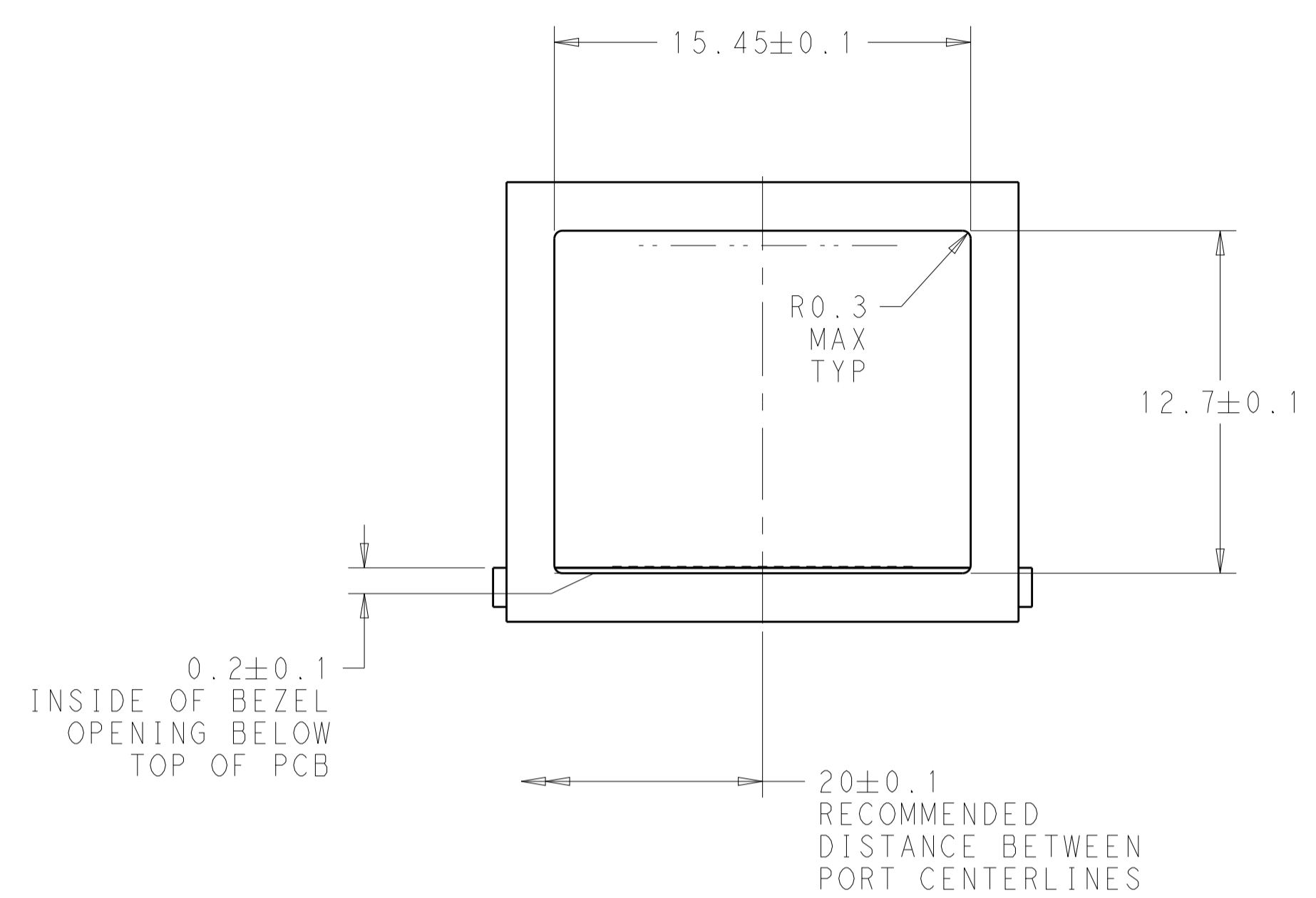
REVISIONS				
P.	LTN	DESCRIPTION	DATE	APVD
-	-	SEE SHEET 1	-	-



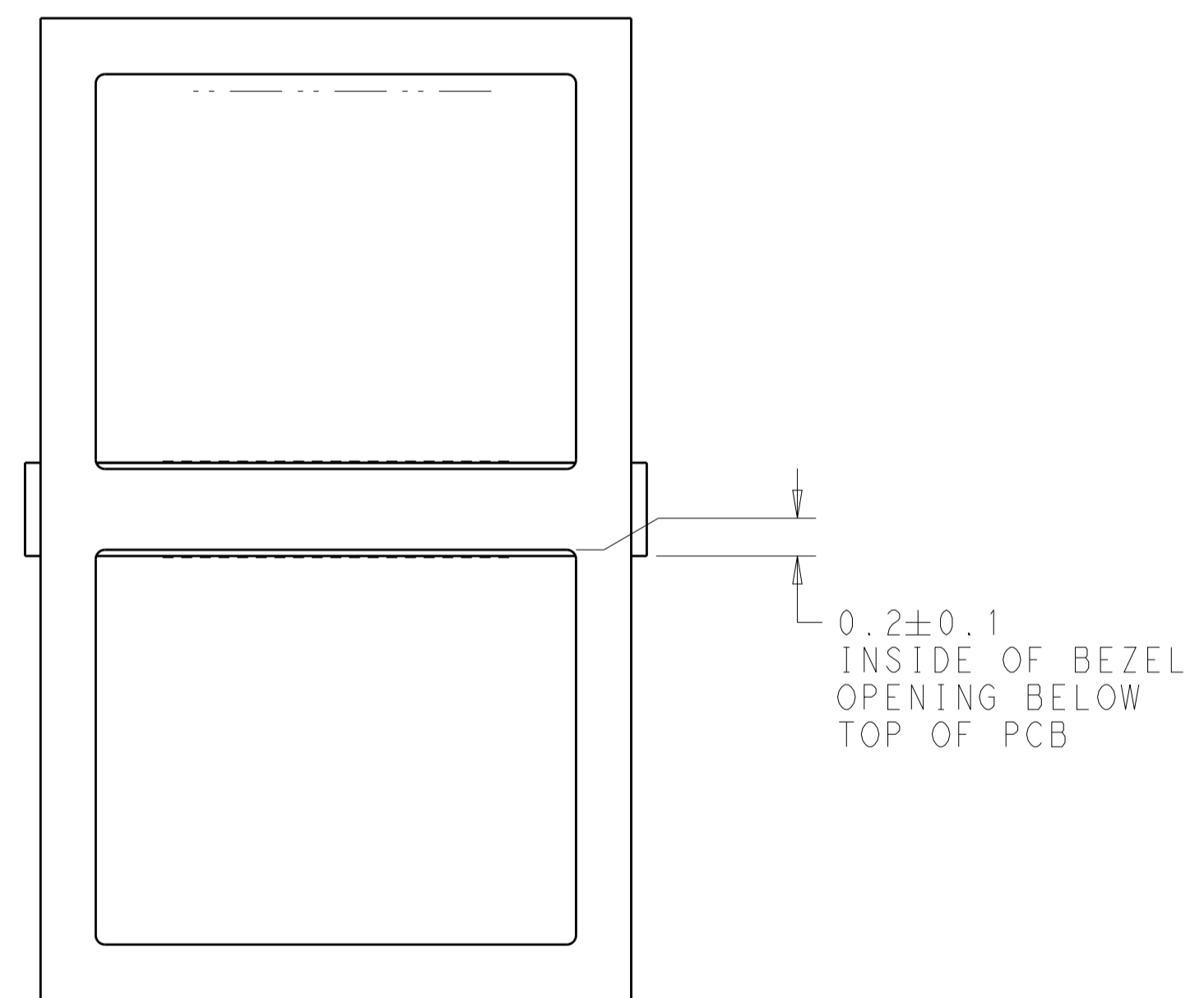
THIS PRINT IS
PRELIMINARY
 UNQUALIFIED PRODUCT
 CONTACT PRODUCT ENGINEERING
 BEFORE USING THIS PRINT

THIS DRAWING IS A CONTROLLED DOCUMENT.		DWN C. VALENTINE 19JAN2016	19JAN2016	
DIMENSIONS: mm		CHK E. BRIANT 19JAN2016	19JAN2016	
TOLERANCES UNLESS OTHERWISE SPECIFIED:		APVD E. BRIANT 19JAN2016	19JAN2016	
0 PLC	±	PRODUCT SPEC	NAME CAGE ASSEMBLY, SINGLE PORT, microQSFP	
1 PLC	±	108-32129	RESTRICTED TO	
2 PLC	±	APPLICATION SPEC	-	
3 PLC	±	114-32151	SIZE CAGE CODE DRAWING NO	
4 PLC	±	WEIGHT	A1 - C=2297551	
ANGLES	±1	Customer Drawing	SCALE 5:1 SHEET 2 OF 6 REV 7	
MATERIAL	-			

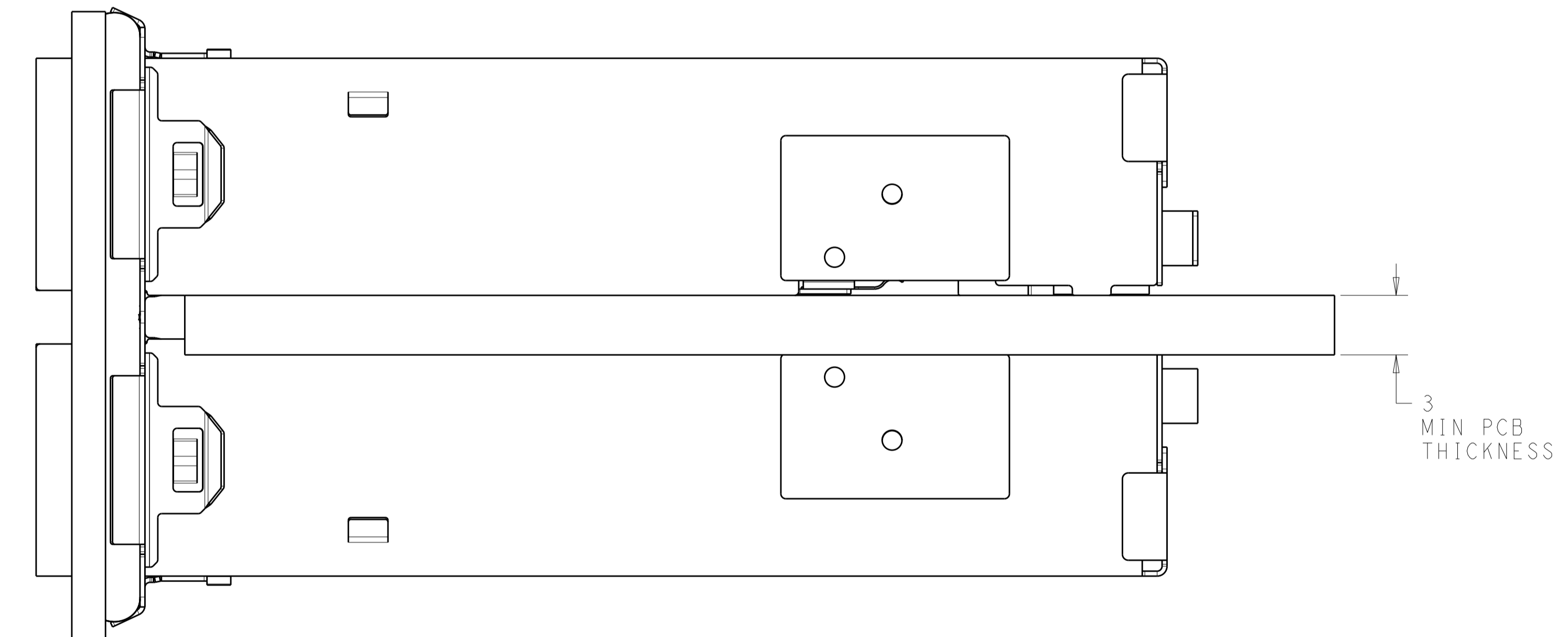
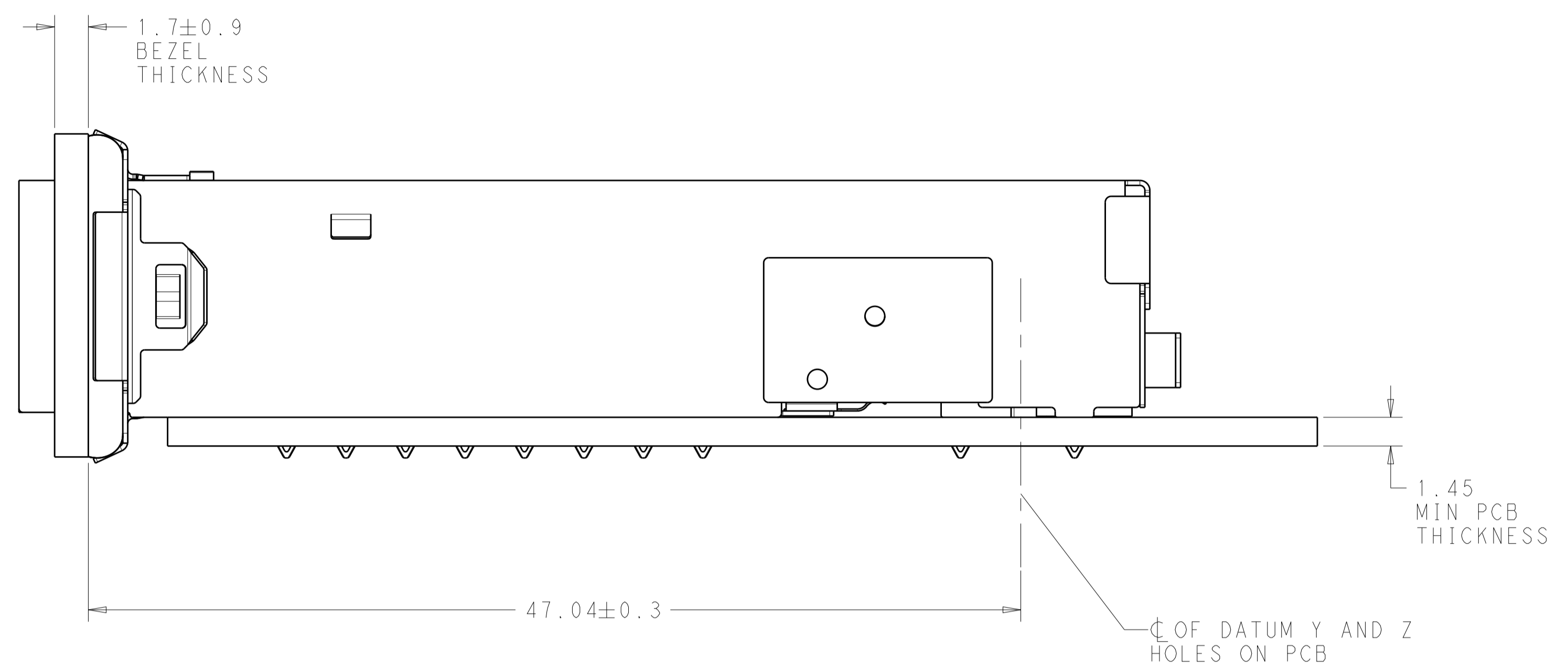
REVISIONS				
P.	LTN.	DESCRIPTION	DATE	APVD.
-	-	SEE SHEET 1	-	-



2297551-2
 SINGLE SIDED
 PCB AND BEZEL LAYOUT



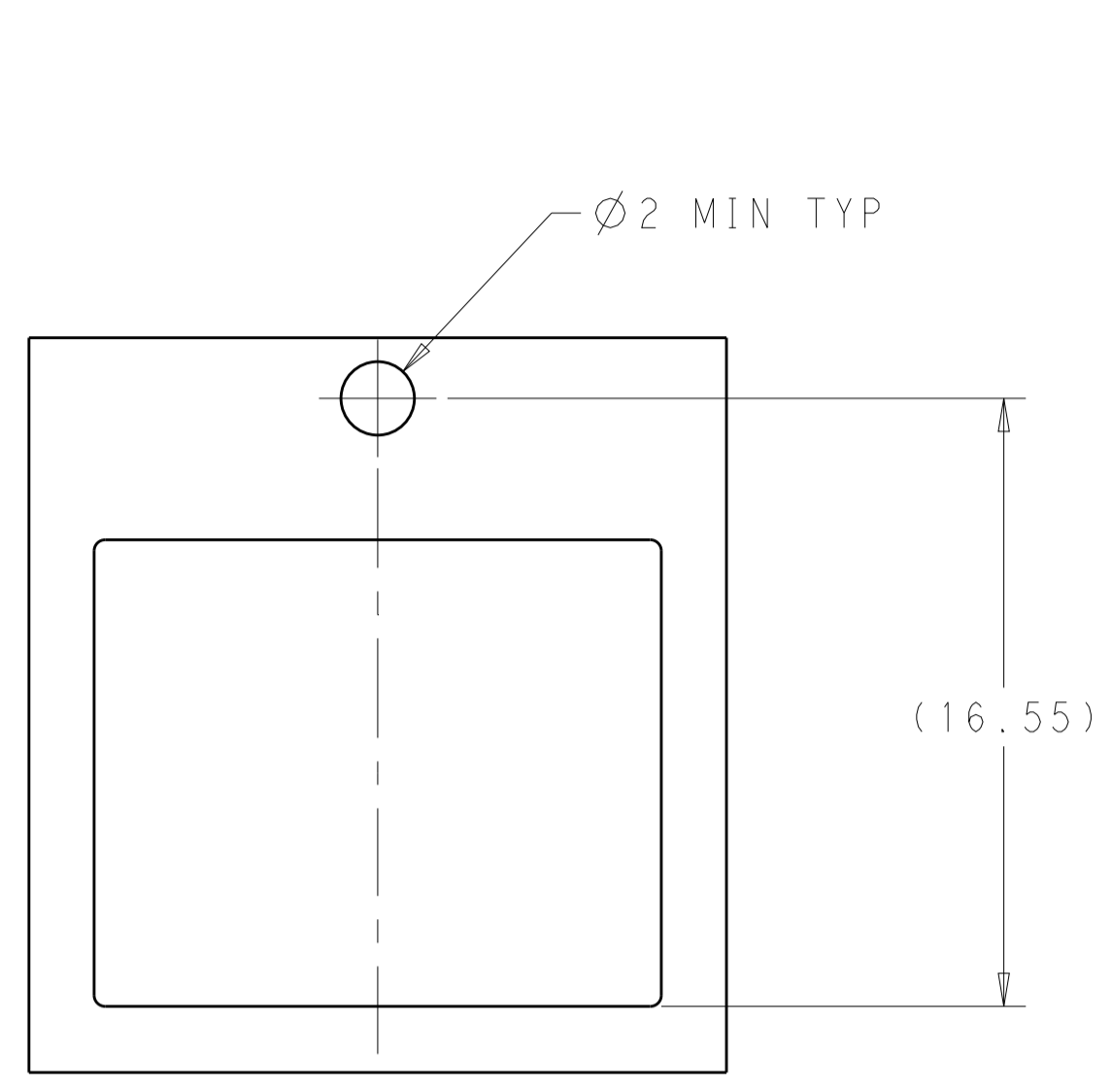
2297551-2
 BELLY TO BELLY
 SAME AS SINGLE SIDED
 EXCEPT WHERE NOTED
 PCB AND BEZEL LAYOUT



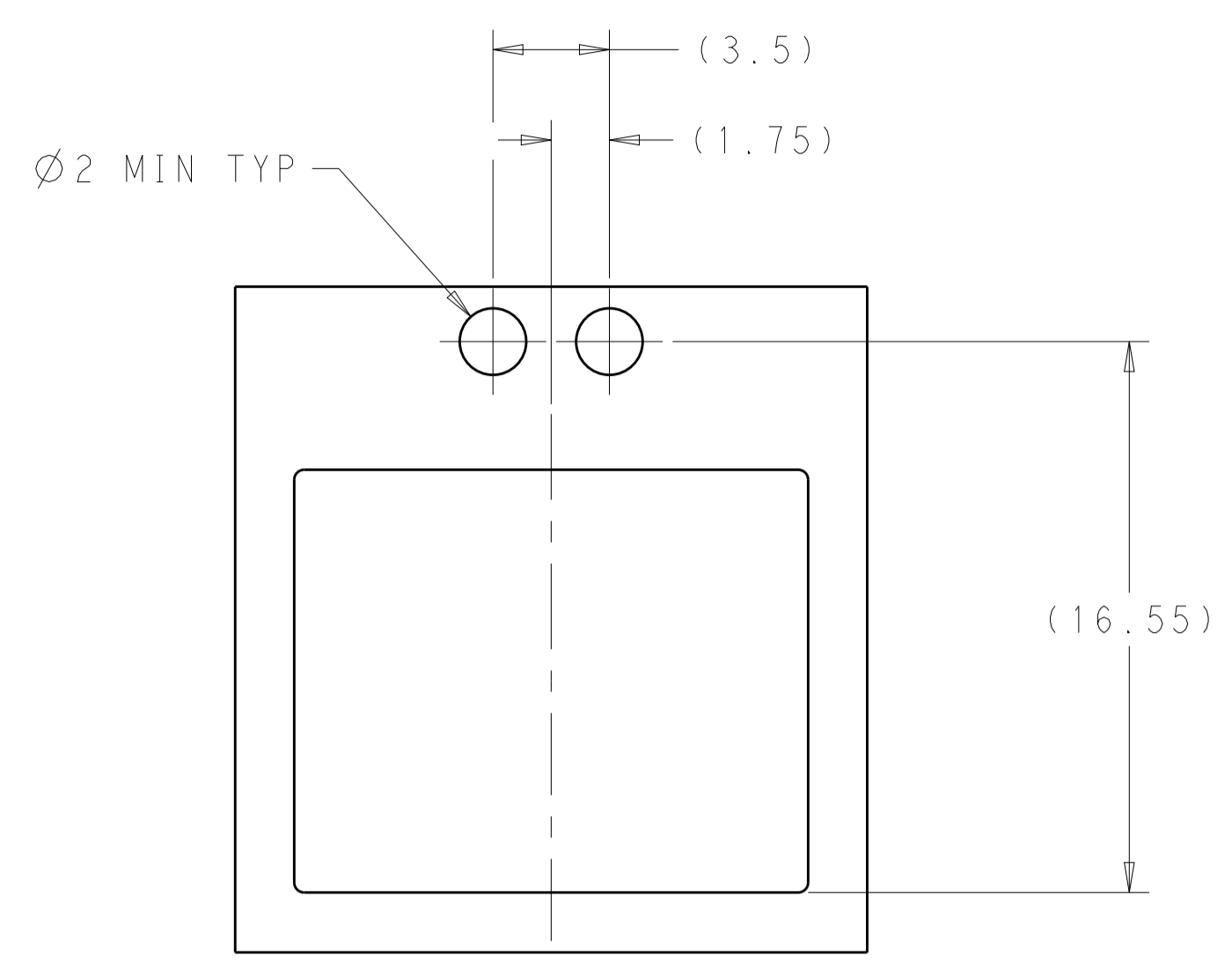
THIS PRINT IS
PRELIMINARY
 UNQUALIFIED PRODUCT
 CONTACT PRODUCT ENGINEERING
 BEFORE USING THIS PRINT

THIS DRAWING IS A CONTROLLED DOCUMENT.		OWN C. VALENTINE 19 JAN 2016	TE Connectivity	
DIMENSIONS:		CHK E. BRIANT 19 JAN 2016	NAME CAGE ASSEMBLY, SINGLE PORT, microQSFP	
mm	TOLERANCES UNLESS OTHERWISE SPECIFIED:	APVD E. BRIANT 19 JAN 2016	PRODUCT SPEC 108-32129	
0 PLC	±	PRODUCT SPEC	APPLICATION SPEC	
0 PLC	±	APPLICATION SPEC	114-32151	
3 PLC	±	WEIGHT	Customer Drawing	
4 PLC	±	SCALE	5:1	
ANGLES	±	SHEET	3 of 6	
FINISH	±	REV	7	

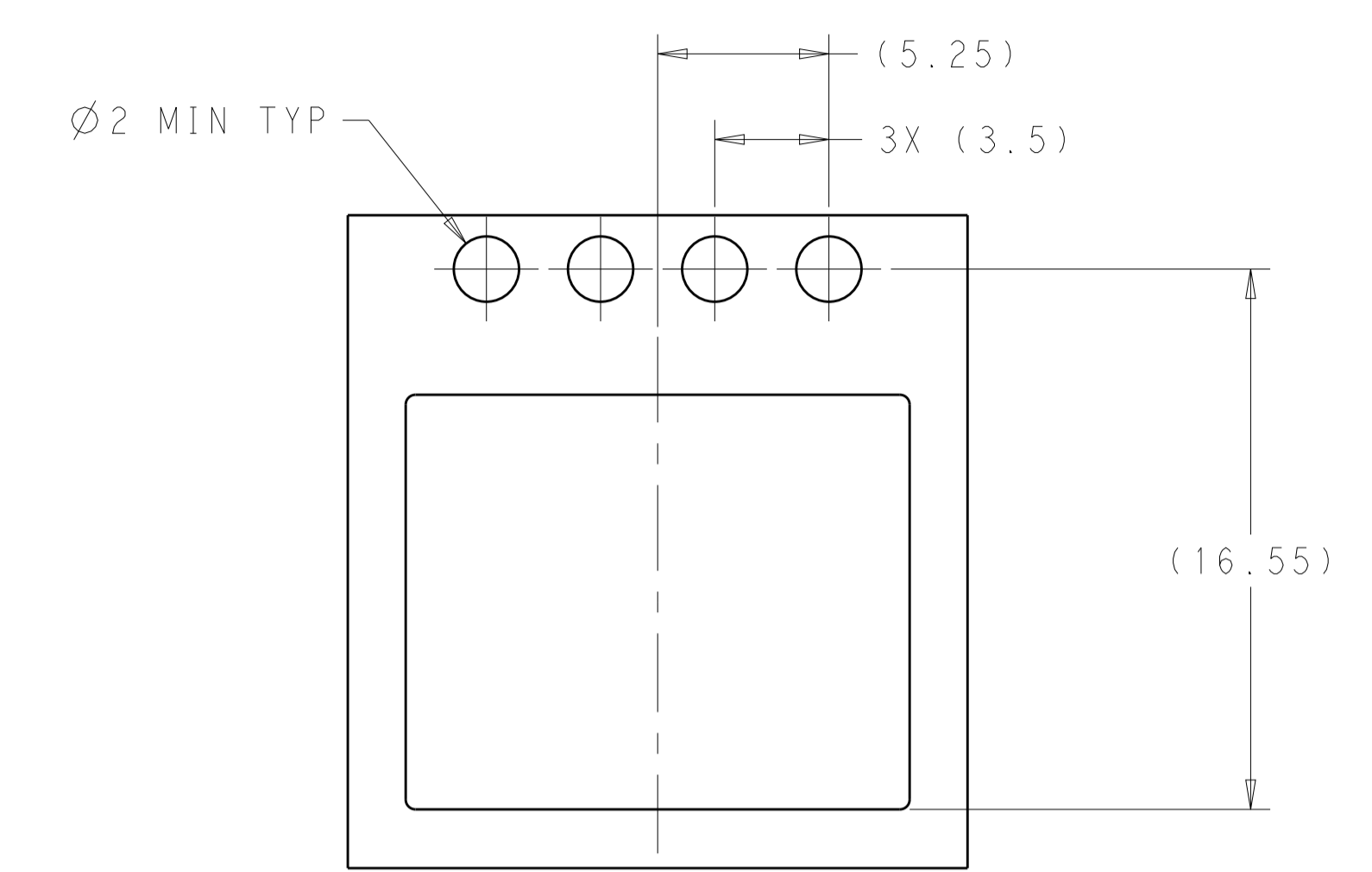
REVISIONS				
P.	LTN	DESCRIPTION	DATE	APVD
-	-	SEE SHEET 1	-	-



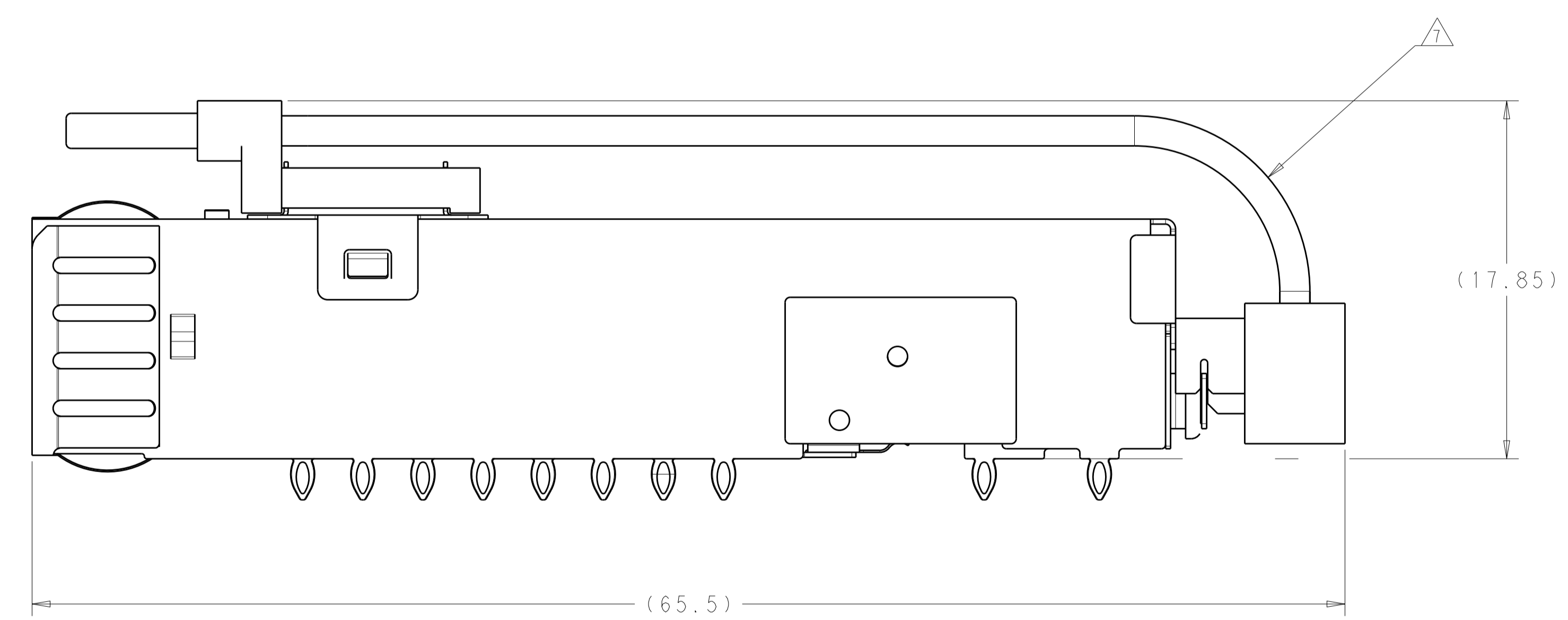
BEZEL LAYOUT FOR SINGLE LIGHT PIPE
SINGLE SIDED



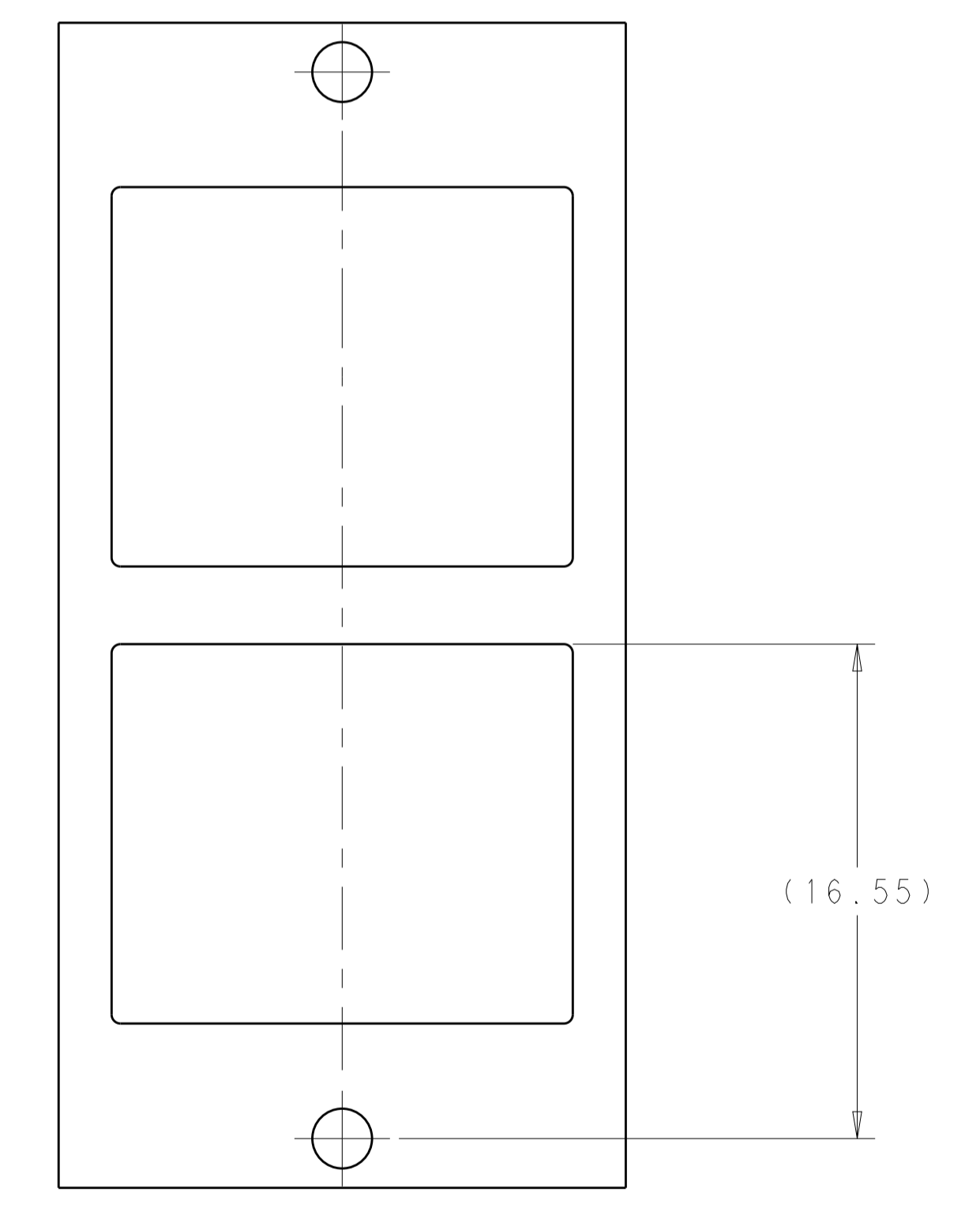
BEZEL LAYOUT FOR DOUBLE LIGHT PIPE
SINGLE SIDED



BEZEL LAYOUT FOR QUAD LIGHT PIPE
SINGLE SIDED



4-2297551-1

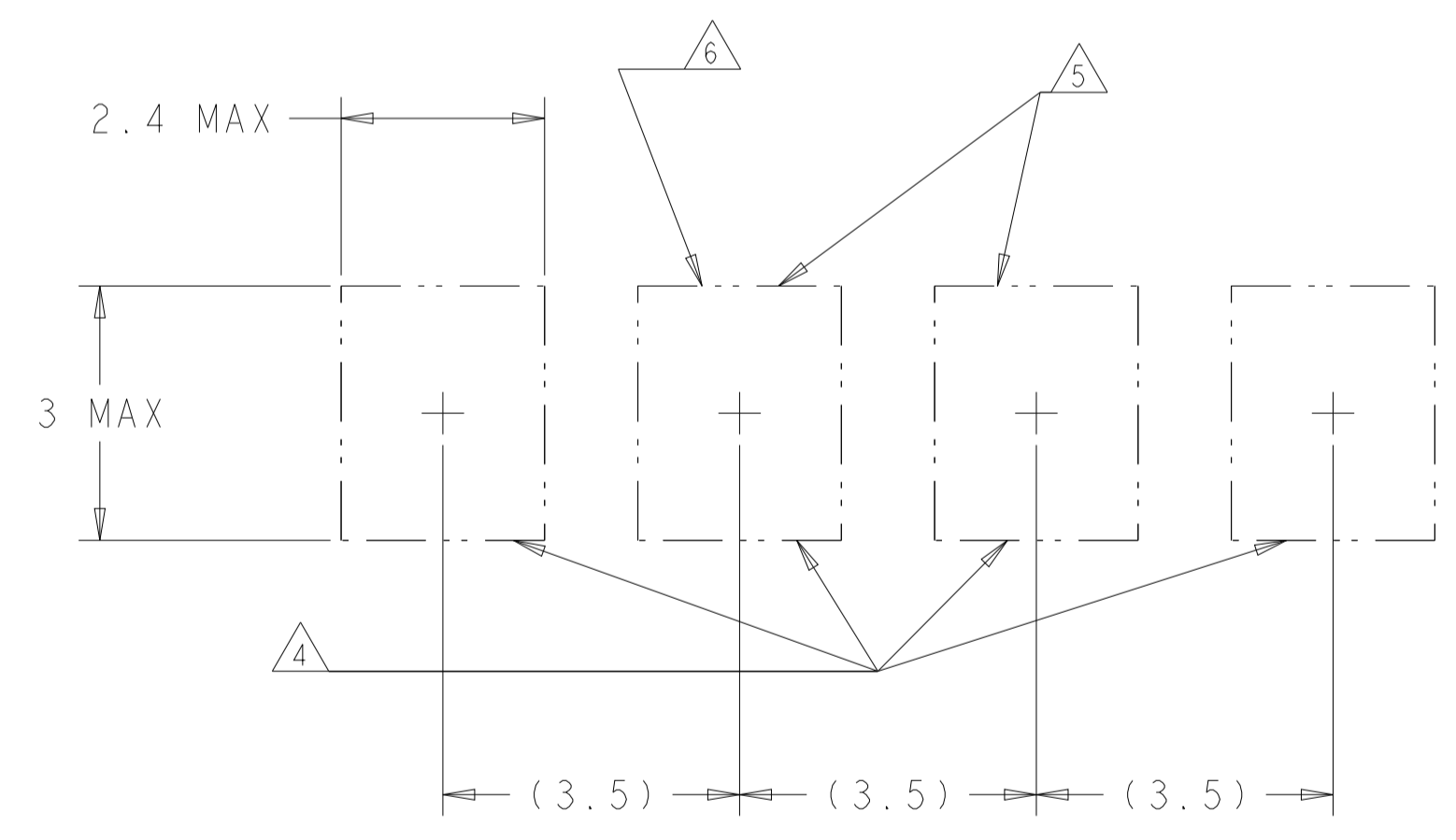
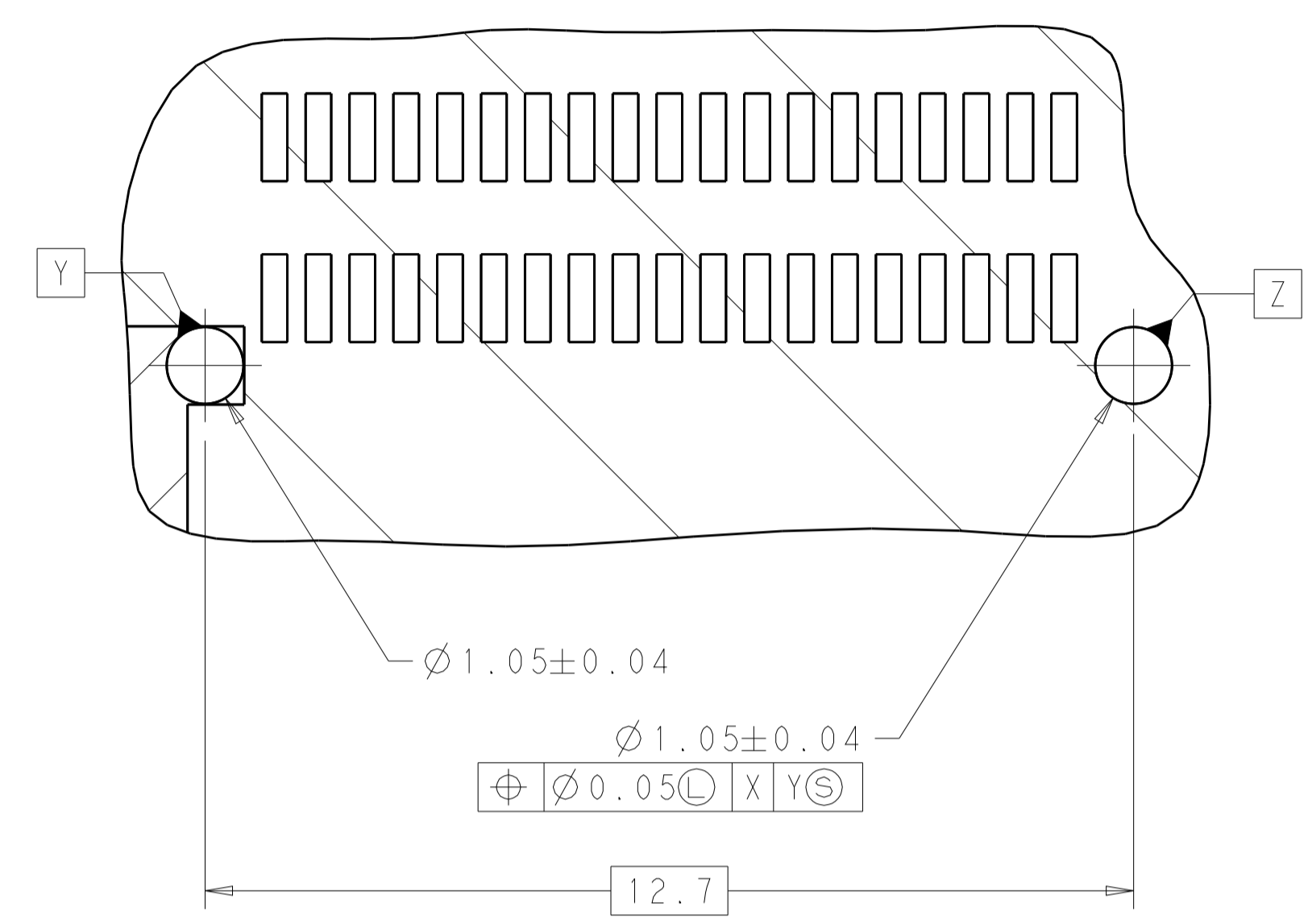
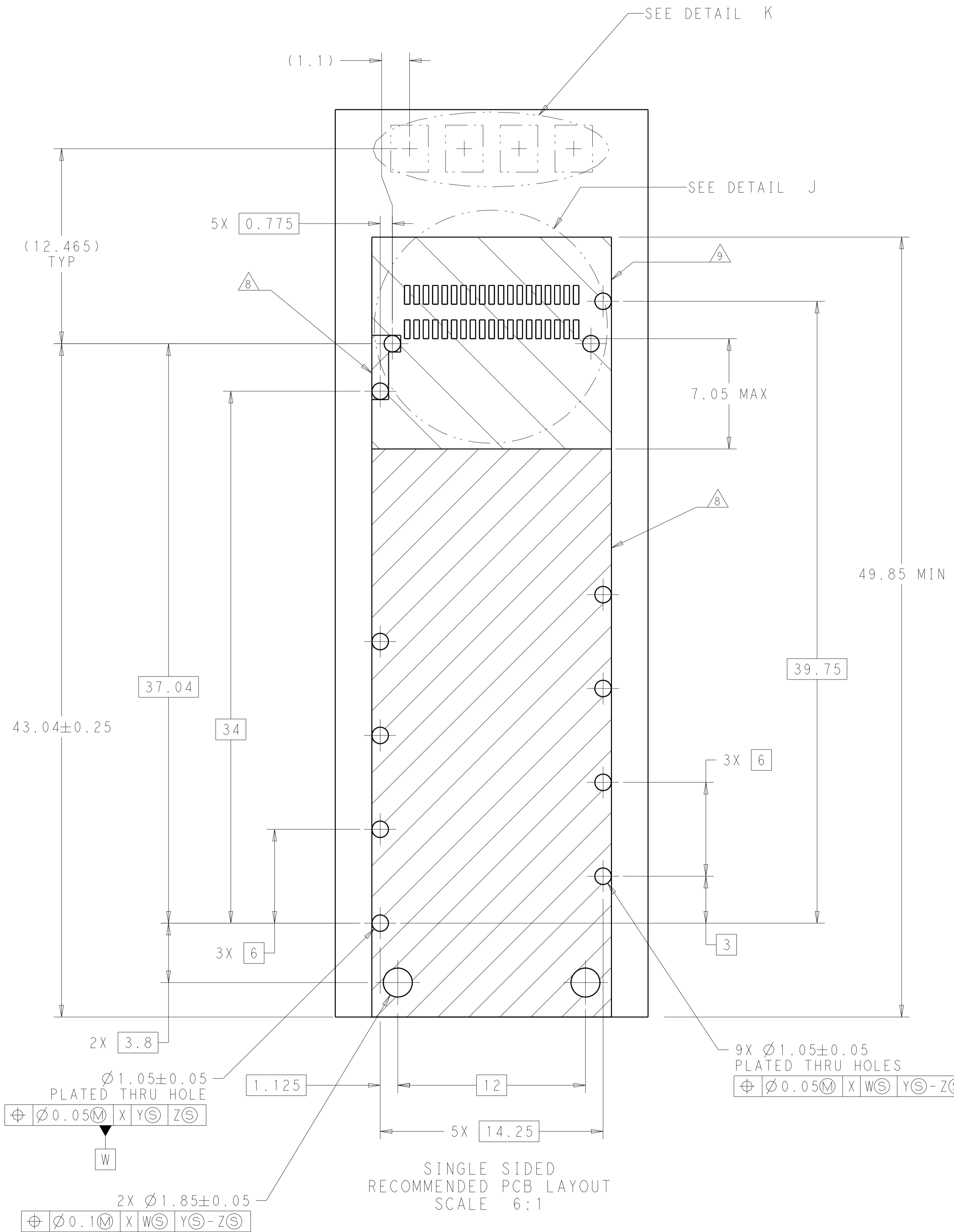


BEZEL LAYOUT FOR LIGHT PIPES
BELLY TO BELLY
SIMILAR TO SINGLE SIDED
EXCEPT WHERE NOTED
SINGLE SIDED

THIS PRINT IS
PRELIMINARY
UNQUALIFIED PRODUCT
CONTACT PRODUCT ENGINEERING
BEFORE USING THIS PRINT

THIS DRAWING IS A CONTROLLED DOCUMENT.		OWN C. VALENTINE 19 JAN 2016	TE Connectivity
DIMENSIONS: mm		CHK E. BRIANT 19 JAN 2016	
TOLERANCES UNLESS OTHERWISE SPECIFIED:		APVD E. BRIANT 19 JAN 2016	NAME CAGE ASSEMBLY, SINGLE PORT, microSFP
0 PLC ±	1 PLC ±	PRODUCT SPEC 108-32129	SIZE A1
2 PLC ±	3 PLC ±	APPLICATION SPEC	CAGE CODE C=2297551
4 PLC ±	ANGLES ±	FINISH #1	RESTRICTED TO
MATERIAL	FINISH	WEIGHT	SCALE 5:1 SHEET 4 OF 6 REV 7
Customer Drawing			

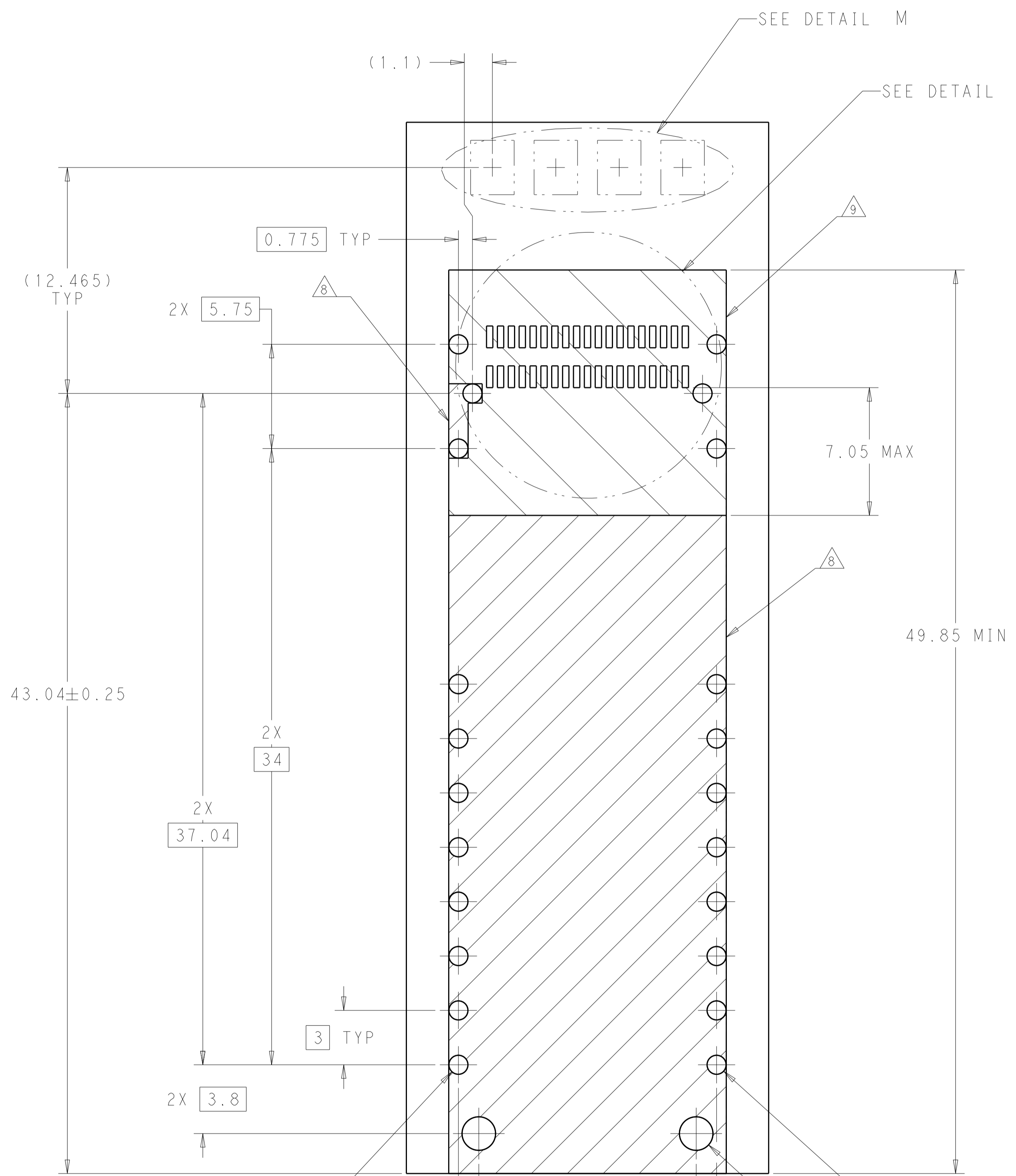
REVISIONS				
P.	LTN	DESCRIPTION	DATE	APVD
-	-	SEE SHEET 1	-	-



THIS PRINT IS
PRELIMINARY
 UNQUALIFIED PRODUCT
 CONTACT PRODUCT ENGINEERING
 BEFORE USING THIS PRINT

THIS DRAWING IS A CONTROLLED DOCUMENT.		OWN: C. VALENTINE 19JAN2016	TE Connectivity
DIMENSIONS: mm		CHK: E. BRIANT 19JAN2016	
TOLERANCES UNLESS OTHERWISE SPECIFIED:		APVD: E. BRIANT 19JAN2016	NAME: CAGE ASSEMBLY, SINGLE PORT, microQSFP
0 PLC	±	PRODUCT SPEC	108-32129
1 PLC	±	APPLICATION SPEC	114-32151
2 PLC	±	WEIGHT	-
3 PLC	±	Customer Drawing	SCALE 5:1 SHEET 5 OF 6 REV 7
4 PLC	±		
ANGLES	#1		
MATERIAL	-		
FINISH	-		

REVISIONS				
P.	LTN.	DESCRIPTION	DATE	APVD.
-	-	SEE SHEET 1	-	-

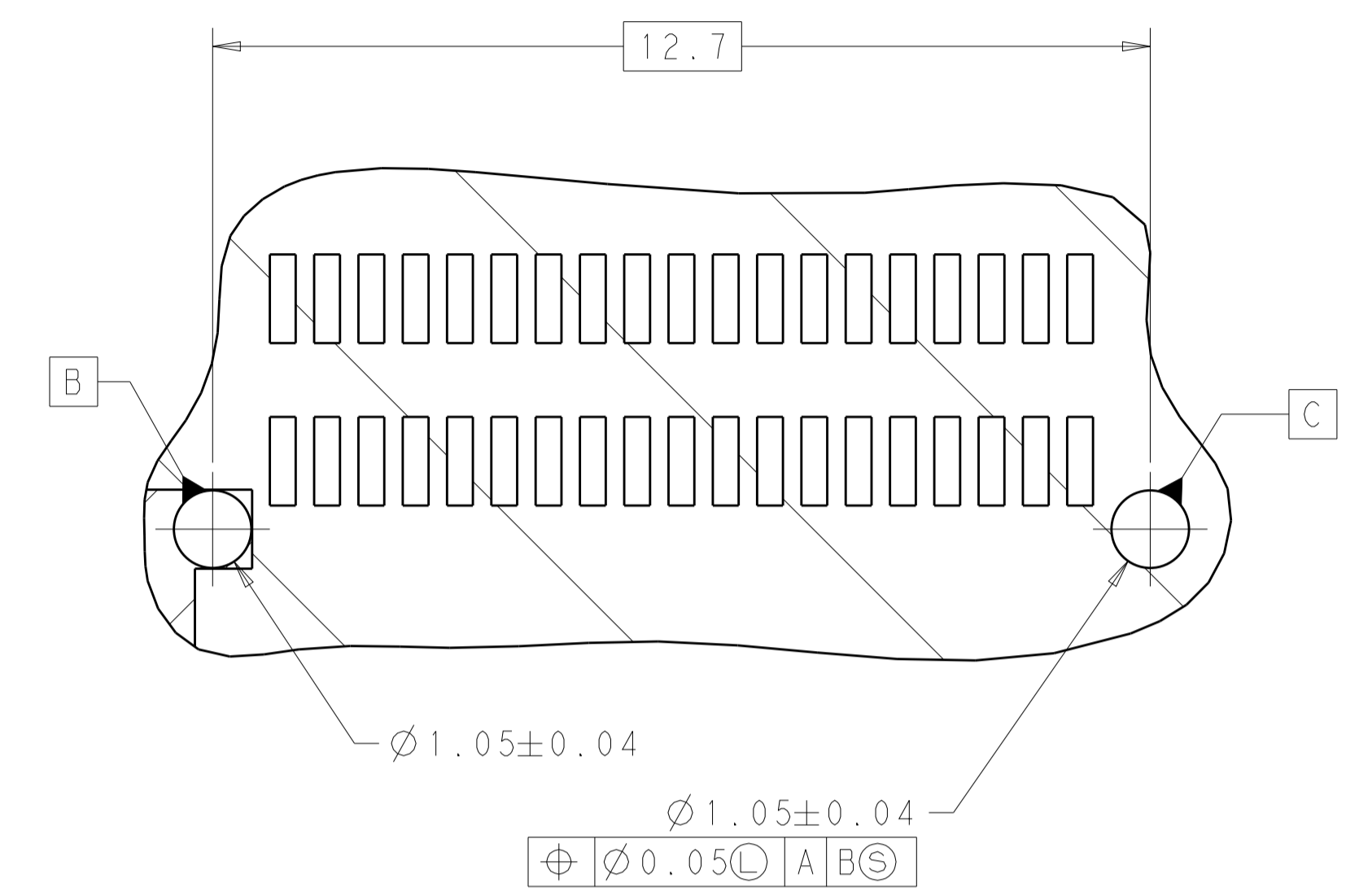


Ø1.05±0.05
PLATED THRU HOLE
⊕ Ø0.05Ⓜ | A | EⓈ | BⓈ-CⓈ

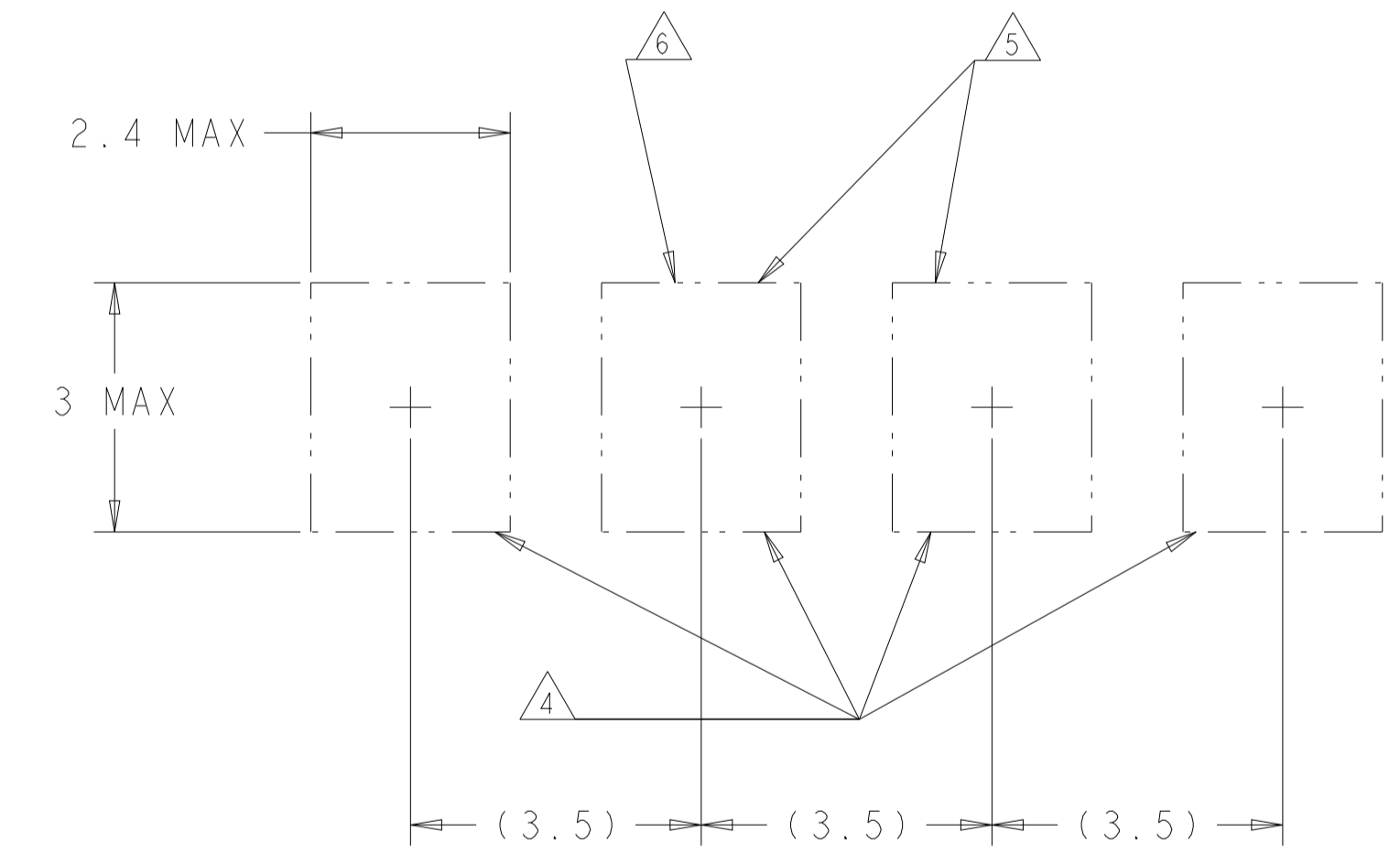
19X Ø1.05±0.05
PLATED THRU HOLES
⊕ Ø0.05Ⓜ | A | EⓈ | BⓈ-CⓈ

2X Ø1.85±0.05
⊕ Ø0.1Ⓜ | A | EⓈ | BⓈ-CⓈ

BELLY TO BELLY
RECOMMENDED PCB LAYOUT
SCALE 6:1



DETAIL L
SCALE 12:1



DETAIL M
SCALE 12:1

THIS PRINT IS
PRELIMINARY
UNQUALIFIED PRODUCT
CONTACT PRODUCT ENGINEERING
BEFORE USING THIS PRINT

THIS DRAWING IS A CONTROLLED DOCUMENT.		DWN C. VALENTINE 19JAN2016	TE Connectivity
DIMENSIONS: mm		CHK E. BRIANT 19JAN2016	
TOLERANCES UNLESS OTHERWISE SPECIFIED:		APVD E. BRIANT 19JAN2016	NAME CAGE ASSEMBLY, SINGLE PORT, microQSFP
0 PLC ±	1 PLC ±	PRODUCT SPEC 108-32129	SIZE A1
2 PLC ±	3 PLC ±	APPLICATION SPEC 114-32151	CAGE CODE C=2297551
4 PLC ±	ANGLES ±	WEIGHT	RESTRICTED TO
MATERIAL	FINISH	Customer Drawing	SCALE 5:1 SHEET 6 OF 6 REV 7