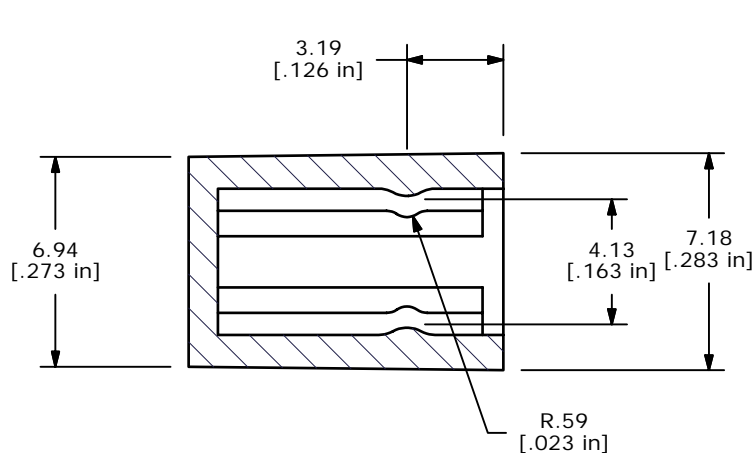
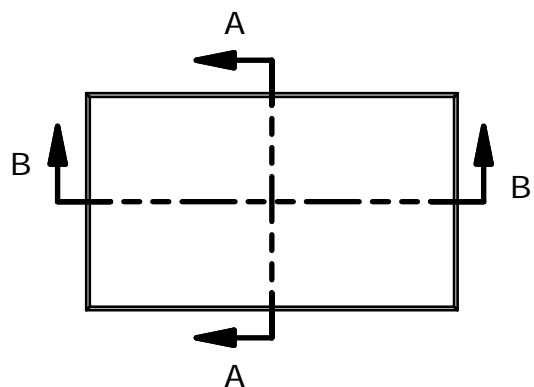
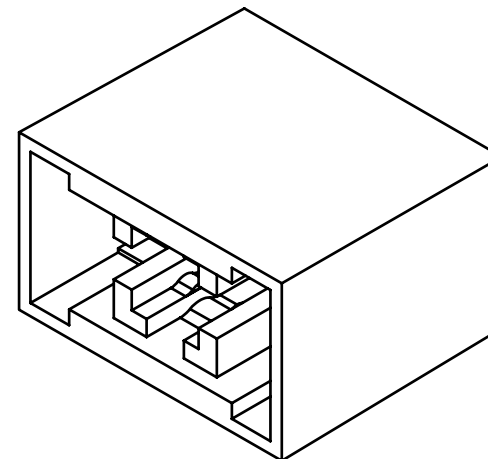
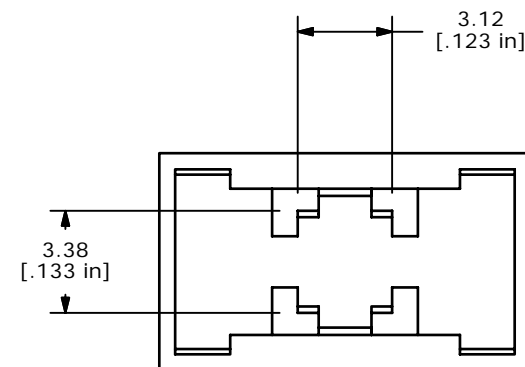


SECTION B-B
SCALE 4 : 1



SECTION A-A
SCALE 4 : 1



- NOTES:
1. ALL DIMENSIONS IN MM
 2. GENERAL TOLERANCE: X.XX± 0.15
 - ▲ 3. MATERIAL: ABS UL94HB
 - ▲ 4. COLOR: GRAY, PANTONE 423C
 5. ▲ DENOTES CRITICAL PARAMETER

E-SWITCH®

B	15490	PANTONE COLOR TO 423 FROM 430	11/2/05	PH
A	15172	NEW RELEASE	8/17/05	PV
REV	PCR NO	DESCRIPTION	DATE	BY

TITLE TADGRY				
SCALE	DATE	DR	DWG	REV
4:1	8/17/2005	PV	T041633	B

THE INFORMATION CONTAINED IN THIS DOCUMENT IS PROPRIETARY TO E-SWITCH AND IS NOT TO BE COPIED OR TRANSFERRED