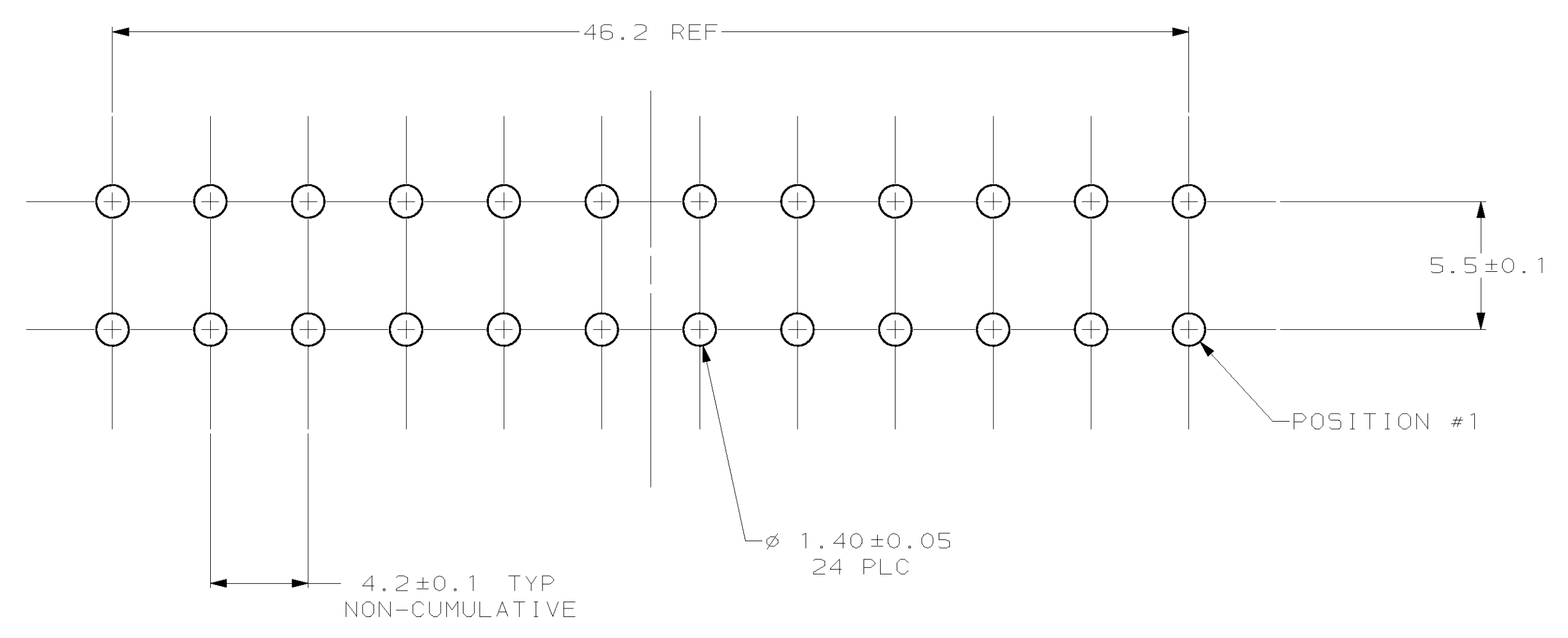
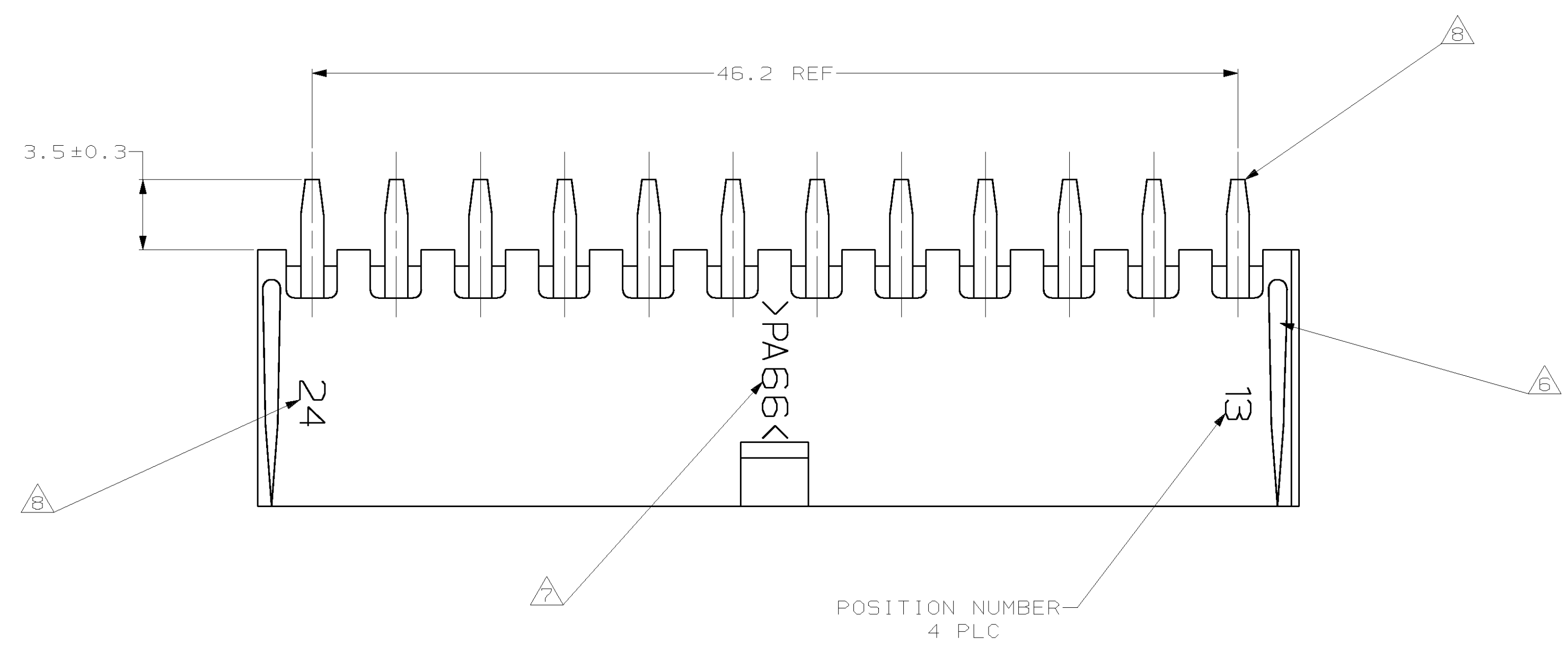
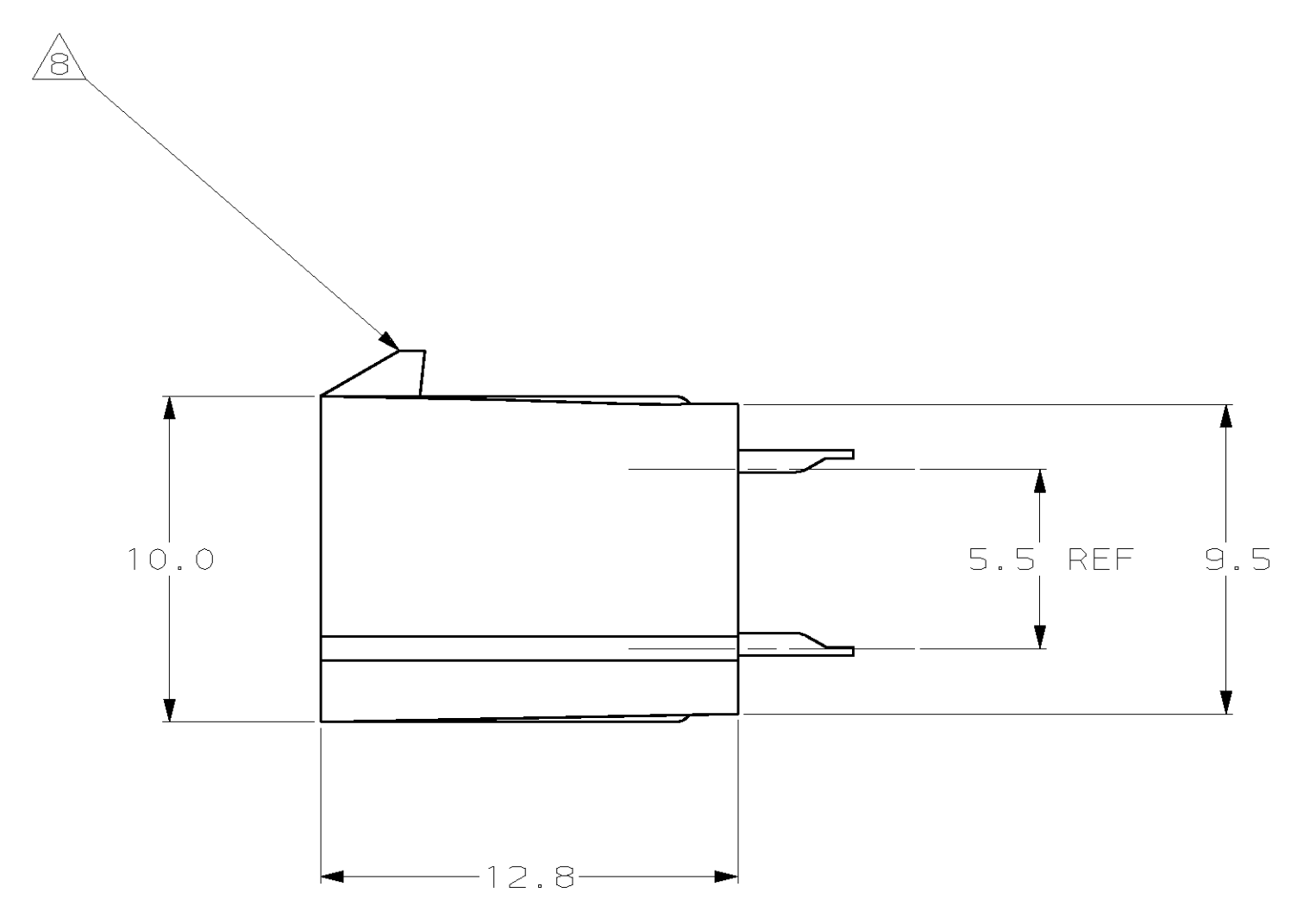
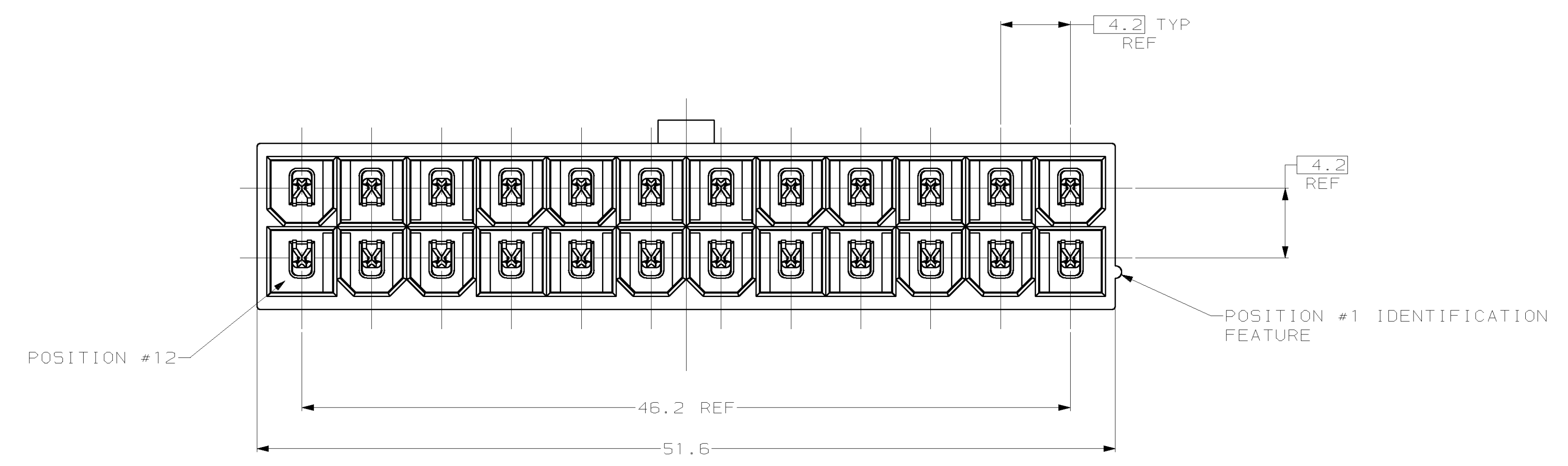


LOC	DIST	REV	DESCRIPTION	DATE	OWN	APPROV
CM	53	A	REV PER EC 061B-0049-99	19-APR-99	JH	RS

- 1 MATERIAL: HOUSING - NYLON, UL94V-2 (COLOR - NATURAL, COLOR OF PARTS MAY VARY). CONTACTS - 0.25 THK COPPER ALLOY.
- 2 CONTACT FINISH: 0.003 MIN THK TIN-LEAD OVER 0.00127 MIN THK NICKEL OVER ENTIRE CONTACT.
- 3 CONTACT FINISH: 0.00076 MIN THK GOLD PLATE ON PIN MATING SURFACE, 0.003 MIN THK TIN-LEAD PLATE ON SOLDER TAIL, ALL OVER 0.00127 MIN THK NICKEL BASE PLATE.
- 4. SOLDER TAIL MEETS AMP SOLDERABILITY SPECIFICATION 109-11-2.
- 5. MATES WITH SIMILARLY PLATED AMP-DUAC™ POWER CONNECTOR RECEPTACLE HOUSINGS/SOCKET CONTACTS.
- 6 RIBS ON FOUR CORNERS OPTIONAL.
- 7 AMP LOGO AND MATERIAL ID MAY BE LOCATED ON EITHER LONG SIDE OF PART.
- 8 SIZE, SHAPE OR STYLE OF THIS FEATURE MAY VARY.



RECOMMENDED MOUNTING HOLE PATTERN FOR 1.78 MAX THICK P.C. BOARD COMPONENT SIDE SHOWN



1	3	1	1	794360-2
1	2	1	1	794360-1
MATERIAL	FINISH	MATERIAL	COLOR	PART NO
CONTACT		HOUSING		
THIS DRAWING IS A CONTROLLED DOCUMENT.		AMP Incorporated Harrisburg, PA 17105-3608		
DIMENSIONS: mm		NAME: ASSEMBLY, HEADER, VERTICAL, 24 POSITION, W/DRAIN HOLES, 108-1699		
TOLERANCES UNLESS OTHERWISE SPECIFIED:		APPLICATION SPEC: 108-1699		
0 PLC ±		SIZE: A1		
1 PLC ±0.2		CAGE CODE: 00779		
2 PLC ±0.13		DRAWING NO: 794360		
3 PLC ±		SCALE: 5:1		
4 PLC ±		SHEET: 1 OF 1		
ANGLES: ±		REV: A		
FINISH: 40°/30°		CUSTOMER DRAWING		
MATERIAL	FINISH	WEIGHT	RESTRICTED TO	
SEE TABLE	SEE TABLE	-	-	

