

4

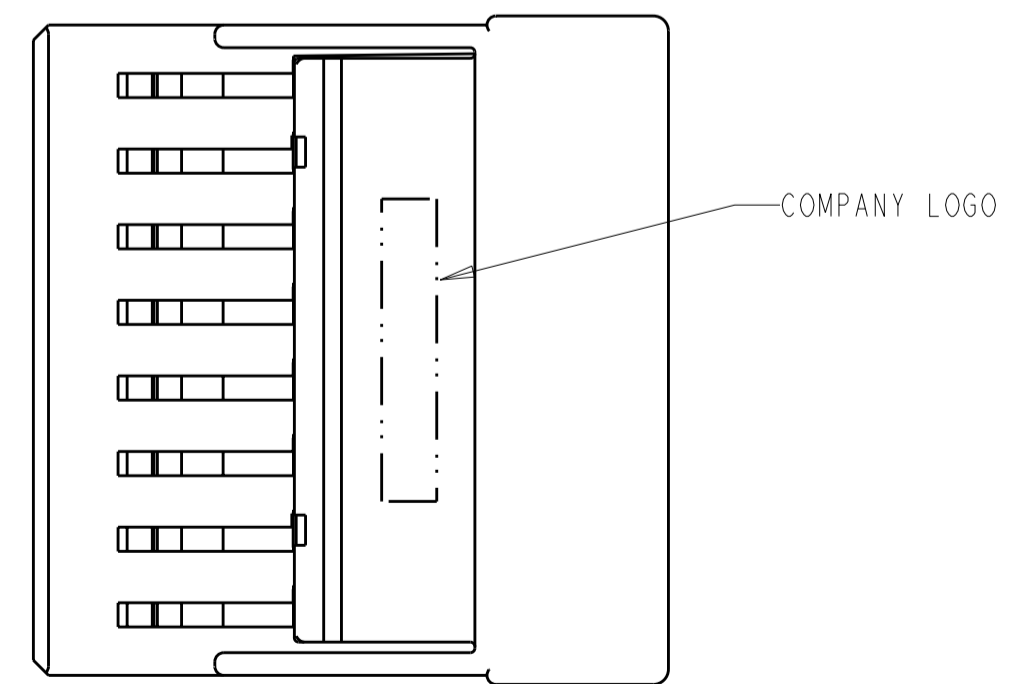
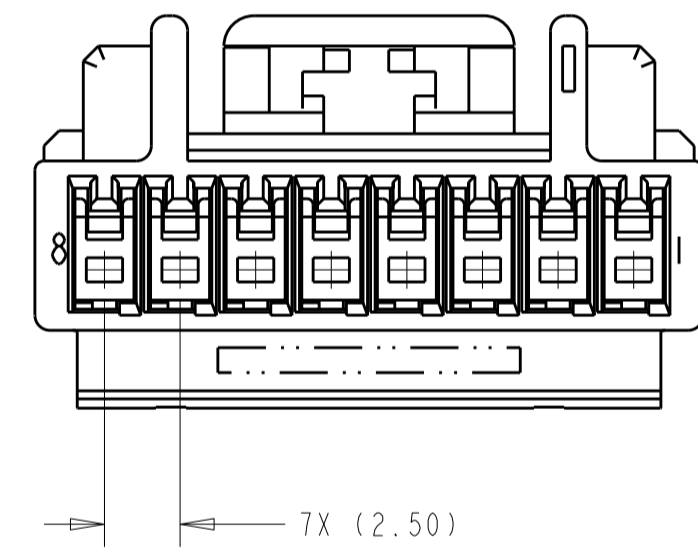
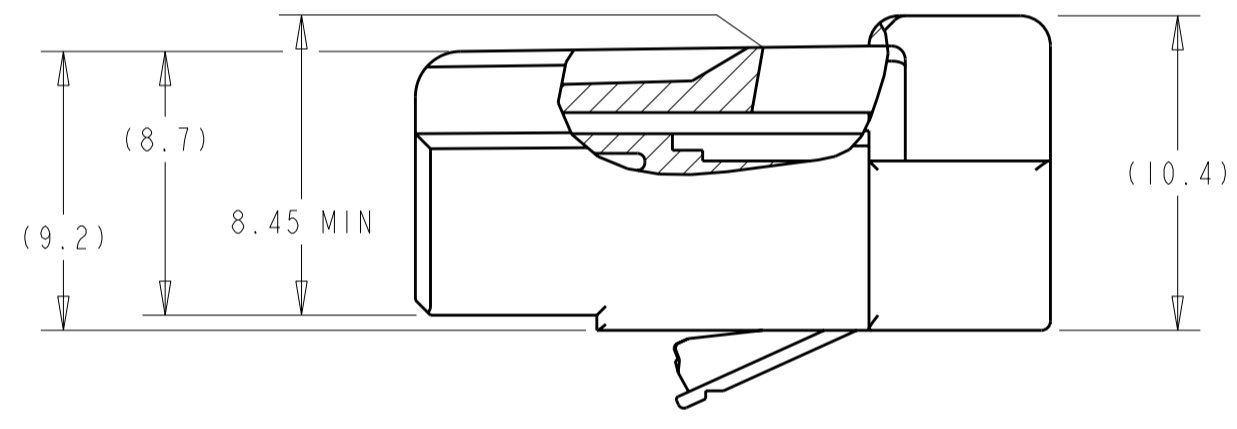
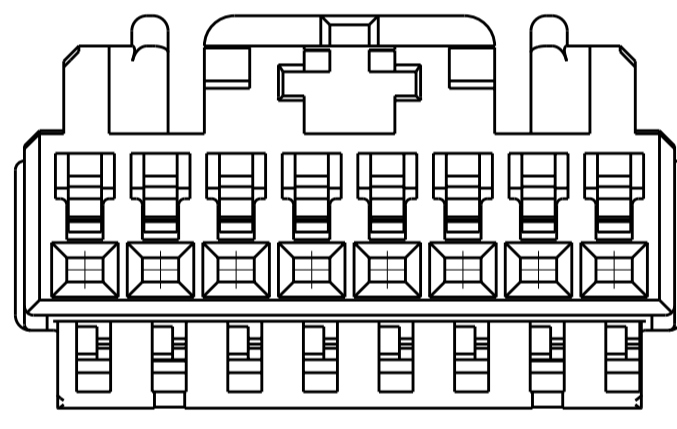
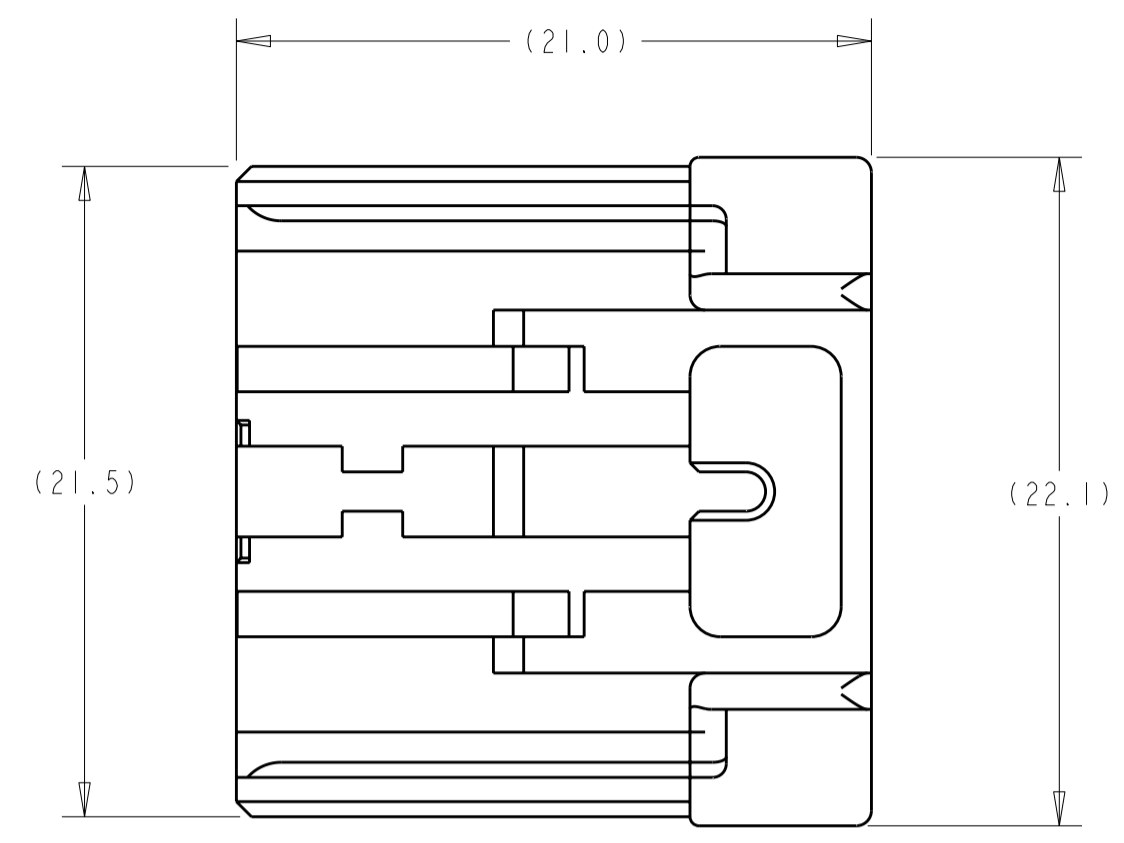
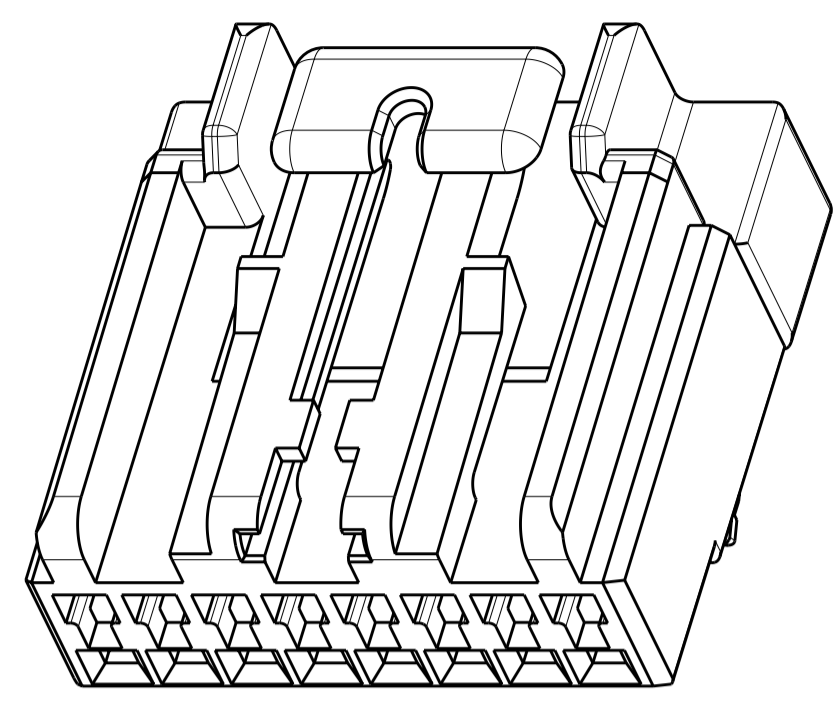
3

2

1

THIS DRAWING IS UNPUBLISHED. RELEASED FOR PUBLICATION
COPYRIGHT 20 BY TYCO ELECTRONICS CORPORATION. ALL INTERNATIONAL RIGHTS RESERVED.

LOC	DIST	REVISIONS			
P	LTR	DESCRIPTION	DATE	DWN	APVD
FX	00	B1	REVISED PER ECO-10-011214	27MAY2010	DD SA



1. APPLICABLE FEMALE TERMINAL PART NUMBERS: 175265 TIN PLATING
175266 GOLD PLATING
2. MATING PCB CAP ASSEMBLY PART NUMBER: 9-638973-2.
3. TERMINAL INSTRUCTION 408-8652 APPLIES.

BLACK	638971-2
COLOR	PART NUMBER

<small>THIS DRAWING IS A CONTROLLED DOCUMENT FOR TYCO ELECTRONICS CORPORATION. IT IS SUBJECT TO CHANGE AND THE CONTROLLING ENGINEERING ORGANIZATION SHOULD BE CONTACTED FOR THE LATEST REVISION.</small>		DWN <u>A. HOLT</u> 07JAN2002 CHK <u>S. ASHLEY</u> 07JAN2002 APVD <u>S. ASHLEY</u> 07JAN2002	Tyco Electronics Tyco Electronics Harrisburg, PA 17105-3608
DIMENSIONS: mm 		PRODUCT SPEC 108-5244 APPLICATION SPEC 114-5159	NAME 8 POSITION PLUG HOUSING, SIDE LOCK/CPA, .040 II SERIES MULTI-LOCK
TOLERANCES UNLESS OTHERWISE SPECIFIED: 0 PLC ± 1 PLC ±0.3 2 PLC ± 3 PLC ± 4 PLC ± ANGLES ±° FINISH		WEIGHT 2.32g	SIZE A2
MATERIAL PBT		CUSTOMER DRAWING	CAGE CODE 00779
		DRAWING NO 638971	RESTRICTED TO -
		SCALE 4:1	SHEET 1 OF 1
			REV B1