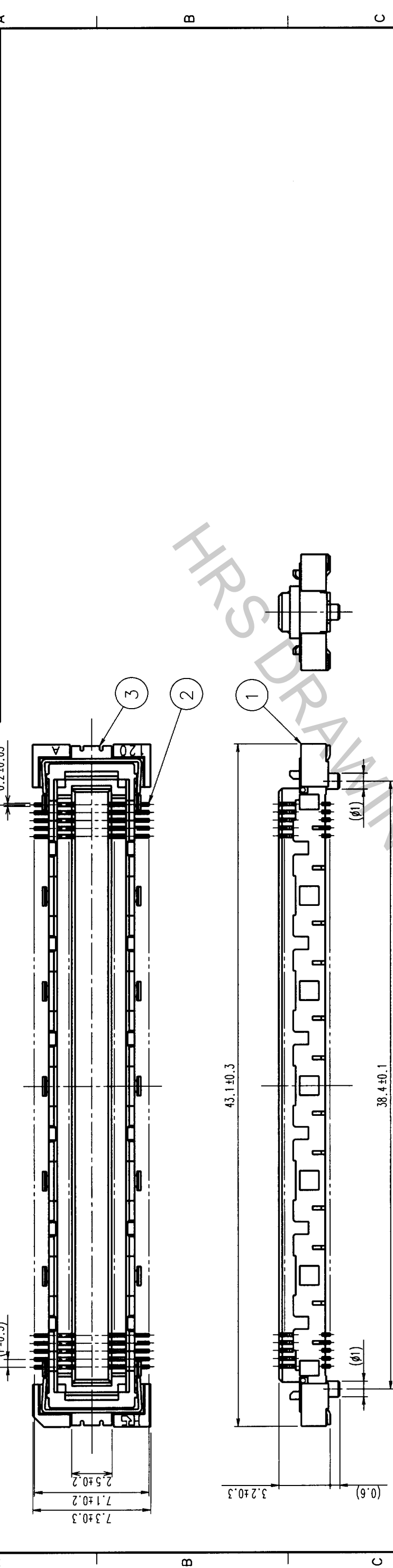
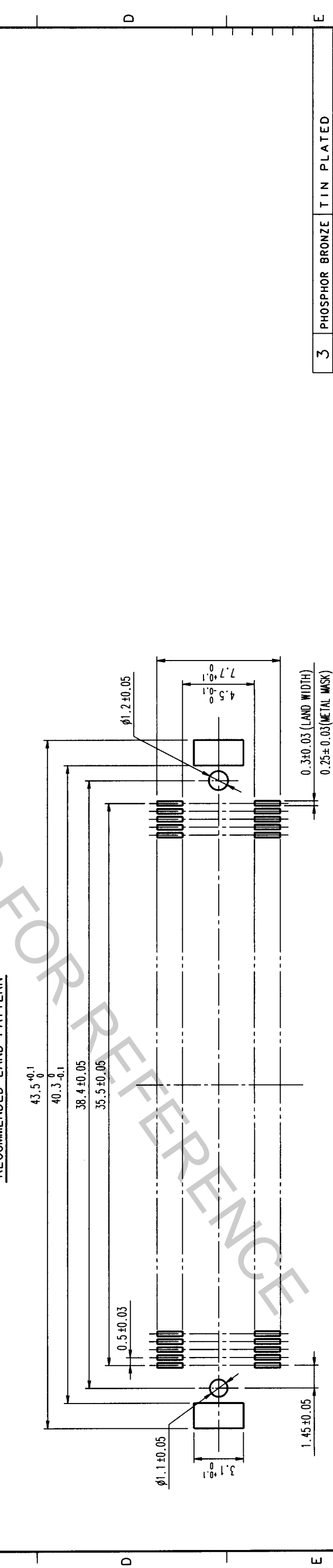


COUNT	DESCRIPTION OF REVISIONS	BY	CHKD	DATE	COUNT	DESCRIPTION OF REVISIONS	BY	CHKD	DATE
△					△				
△					△				
△					△				



RECOMMENDED LAND PATTERN



NOTES

- 1 SMT LEAD-COPLANARITY: 0.1 MAX.
- 2 THIS PRODUCT HAS NO POLARITY TO MOUNT ON THE RECOMMENDED LAND PATTERN.

NO.	MATERIAL	FINISH, REMARKS	FINISH, REMARKS
3	PHOSPHOR BRONZE	TIN PLATED	
2	PHOSPHOR BRONZE	CONTACT AREA: GOLD (0.1μm) OVER NICKEL LEAD: GOLD PLATED (FLASH) OVER NICKEL	
1	LCP	BEIGE UL94V-0	

NO.	MATERIAL	FINISH, REMARKS	FINISH, REMARKS
	CODE NO. (OLD)	CL	
	DRAWN	DESIGNED	CHECKED
	APPROVED	APPROVED	RELEASED
	DRAWING NO.	PART NO.	
	EDC3-151986	FX10A-144S-SV	
	SCALE	CODE NO.	
	4 : 1	CL570-0243-4	
	UNITS	MM	

TO	
PCK	