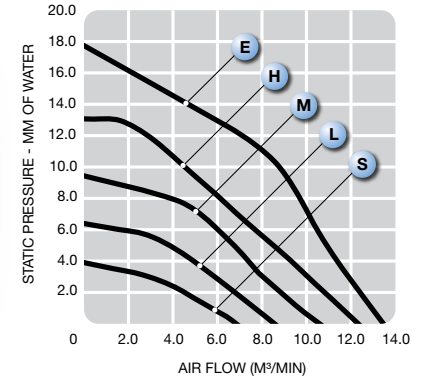
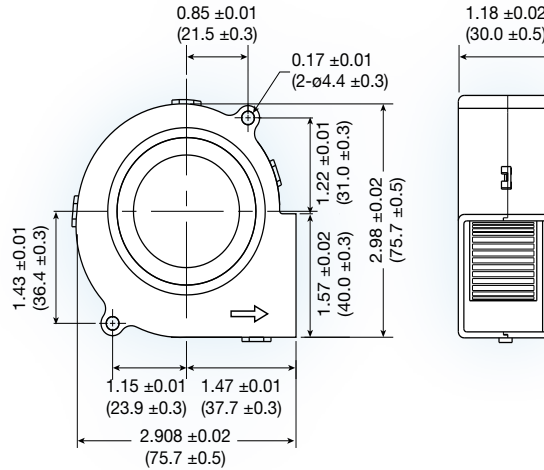


B7530 series



(76 x 76 x 30 mm)

2.98 x 2.98 x 1.18 inches

Construction: UL94V-0 PBT impeller & frame

Bearing option: ball bearing or sleeve

Connection: lead wires

Protection: thermal

Options: tachometer output or locked rotor alarm signal

Model No.	Rated Voltage V	Current mA		Speed RPM	Air Volume		Max. Static Pressure (H ₂ O)		Sound Noise dB _A	Weight g
		12	24		M ³ /Min.	CFM	MM	INCH		
B7530S	12/24	130	90	2,000	0.20	6.9	3.9	0.16	28	87
B7530L	12/24	180	120	2,500	0.24	8.6	6.4	0.26	36	87
B7530M	12/24	270	180	3,000	0.30	10.6	9.4	0.38	38	87
B7530H	12/24	450	240	3,500	0.35	12.3	13.1	0.52	43	87
B7530E	12/24	500	300	3,800	0.38	13.5	17.7	0.71	45	87